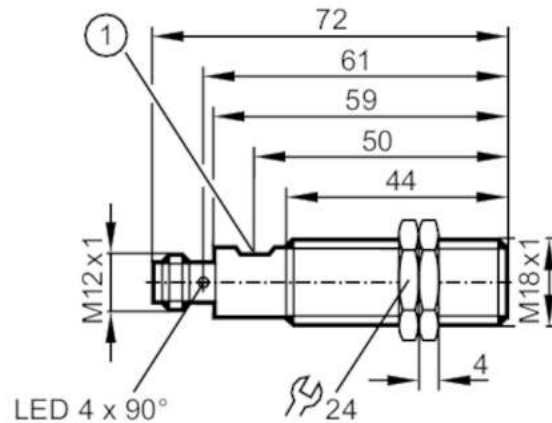


OGT200



Diffuse reflection sensor

OGT-HPKG/US100



1 potentiometer



Product characteristics

Type of light	red light
Housing	threaded type

Application

Function principle	Diffuse reflection sensor
--------------------	---------------------------

Electrical data

Operating voltage	[V]	10...36 DC; ("supply class 2" to cULus)
Current consumption	[mA]	20
Protection class		II
Reverse polarity protection		yes
Type of light		red light
Wave length	[nm]	624

Outputs

Electrical design		PNP
Output function		light-on mode
Max. voltage drop switching output DC	[V]	2.5
Permanent current rating of switching output DC	[mA]	200
Switching frequency DC	[Hz]	800
Short-circuit protection		yes
Type of short-circuit protection		pulsed
Overload protection		yes

Detection zone

Range	[mm]	2...600; (white paper 200 x 200 mm 90% remission)
Setting range	[mm]	150...600
Range adjustable		yes
Max. light spot diameter	[mm]	50
Light spot dimensions refer to		at maximum range

OGT200



Diffuse reflection sensor

OGT-HPKG/US100

Operating conditions		
Ambient temperature	[°C]	-25...60
Protection		IP 65
Tests / approvals		
EMC		EN 60947-5-2
MTTF	[years]	428
Mechanical data		
Weight	[g]	53.6
Housing		threaded type
Dimensions	[mm]	M18 x 1 / L = 72
Thread designation		M18 x 1
Materials		housing: stainless steel (1.4404 / 316L); operator interface: TPE
Lens material		PMMA
Displays / operating elements		
Display	switching status	1 x LED, yellow
Operating elements		potentiometer
Accessories		
Items supplied		lock nuts: 2
Remarks		
Pack quantity		1 pcs.

Electrical connection

Connector: 1 x M12; coding: A



Connection

