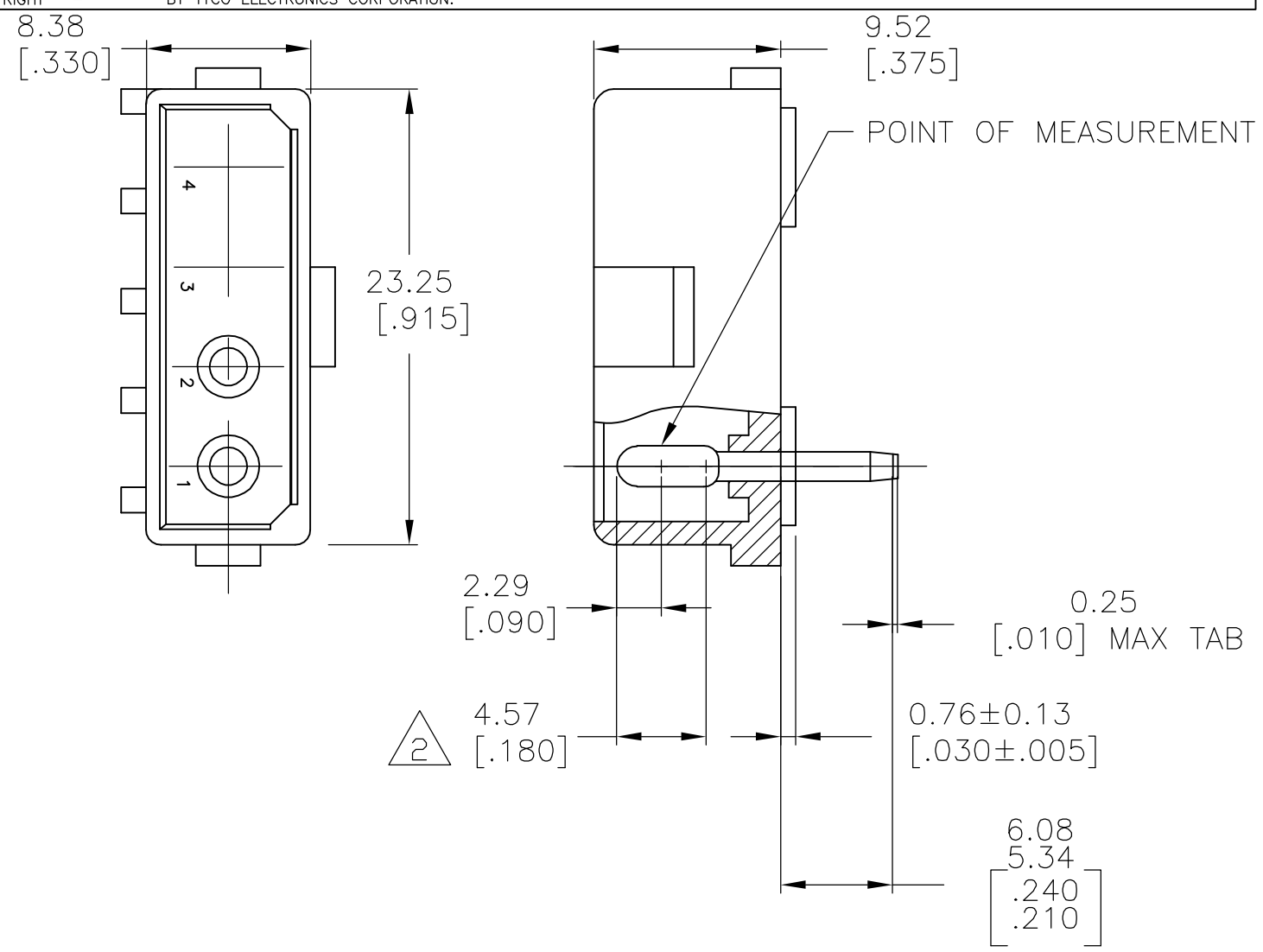
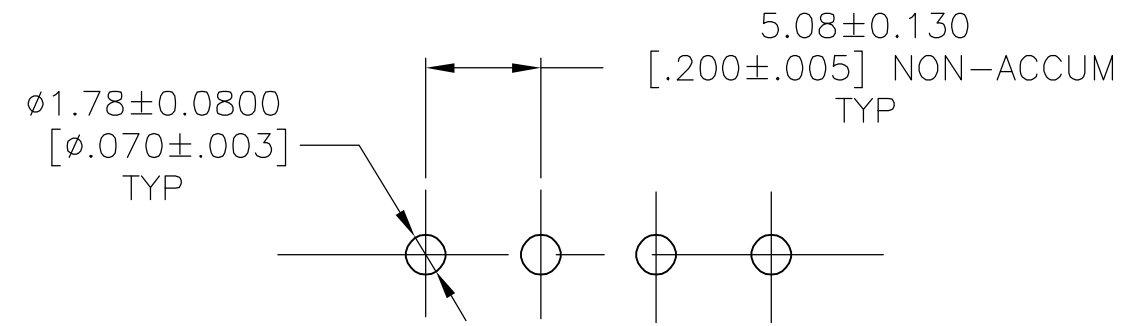


THIS DRAWING IS UNPUBLISHED. RELEASED FOR PUBLICATION  
 © COPYRIGHT BY TYCO ELECTRONICS CORPORATION. ALL RIGHTS RESERVED.

| LOC | DIST | REVISIONS |     |                           |           |     |      |
|-----|------|-----------|-----|---------------------------|-----------|-----|------|
| CM  | 0    | P         | LTR | DESCRIPTION               | DATE      | DWN | APVD |
|     |      | 0         |     | RELEASED PER 0G3B-1134-04 | 11OCT2005 | APB | DC   |



- PARTS MUST COMPLY WITH SOLDERABILITY SPEC. 109-11-3.
- CONTACT IS PLATED OVERALL WITH .000050 NICKEL, THEN .000030 GOLD OVER CONTACT LENGTH INDICATED AND MATTE TIN ON SOLDER TAIL END.



RECOMMENDED LAYOUT FOR  
 3.175 [.125] THICK P.C. BOARD

**METRIC**

|              |                  |                   |
|--------------|------------------|-------------------|
| 1586536-2    | NYLON-NATURAL    | COPPER ALLOY-GOLD |
| ASSEMBLY NO. | HSG, MATL& COLOR | PIN MATL & FINISH |

|   |  |                     |           |   |                    |
|---|--|---------------------|-----------|---|--------------------|
| THIS DRAWING IS A CONTROLLED DOCUMENT.                                      |  | DWN<br>ARJUN        | 11OCT05   | Tyco Electronics Corporation<br>Harrisburg, PA 17105-3608 |                    |
| DIMENSIONS:<br>mm [INCHES]  |  | CHK<br>D. COLEY     | 18OCT2005 |   |                    |
| TOLERANCES UNLESS OTHERWISE SPECIFIED:                                      |  | APVD<br>K. WHITAKER | 18OCT2005 | NAME<br>4 CIRCUIT COMMERCIAL MATE-N-LOK(TM) HEADER        |                    |
| 0 PLC ± -<br>1 PLC ± -<br>2 PLC ± -<br>3 PLC ± -<br>4 PLC ± -<br>ANGLES ± - |  | PRODUCT SPEC        |           | APPLICATION SPEC  |                    |
| MATERIAL<br>SEE TABLE   |  | FINISH<br>SEE TABLE |           | SIZE<br>A3  | CAGE CODE<br>00779 |
| CUSTOMER DRAWING  |  |                     |           | DRAWING NO<br>C-1586536                                   | RESTRICTED TO<br>- |
|   |  |                     |           | SCALE<br>3:1  | SHEET<br>1 OF 1    |
|   |  |                     |           | REV<br>0  |                    |