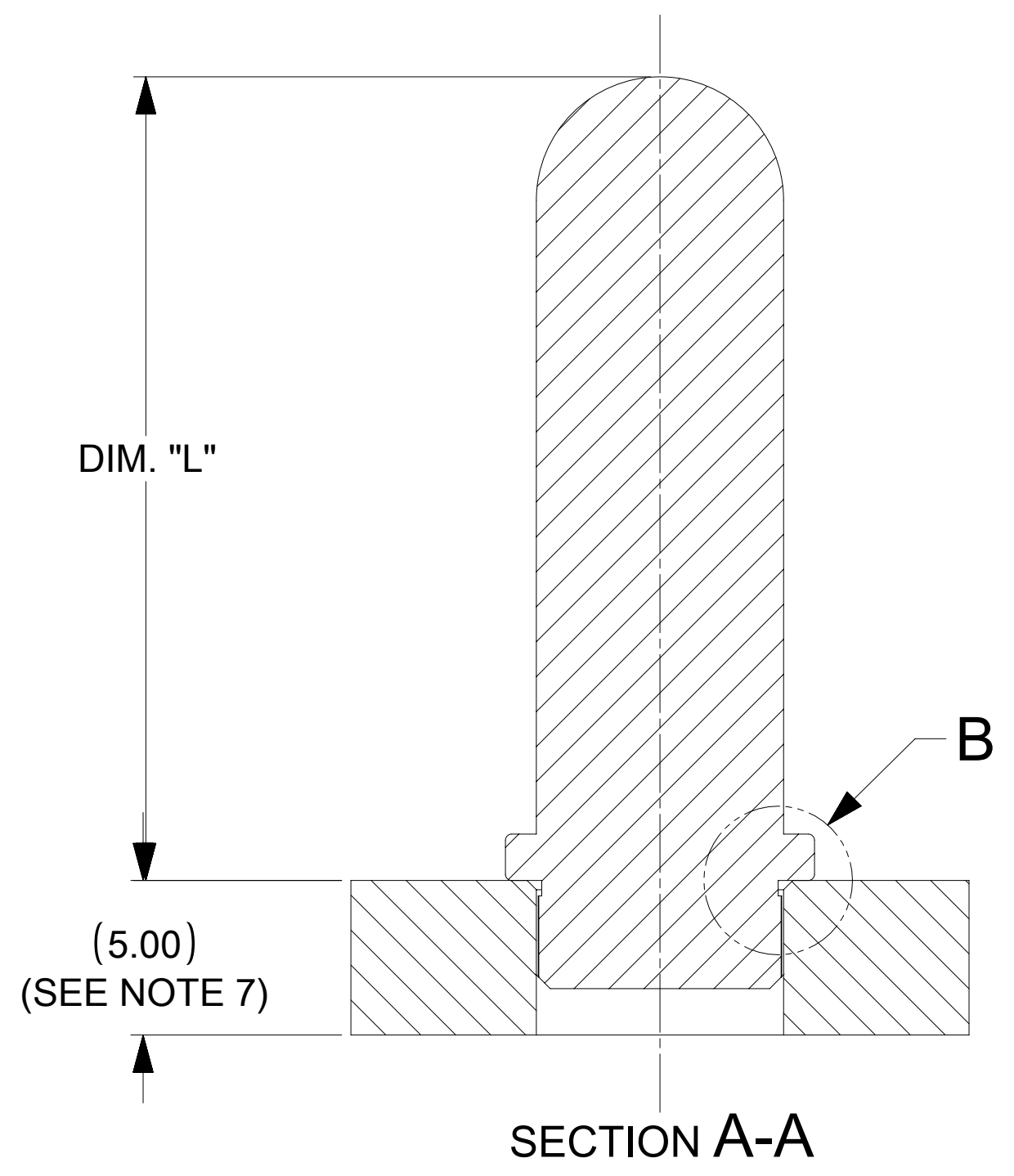
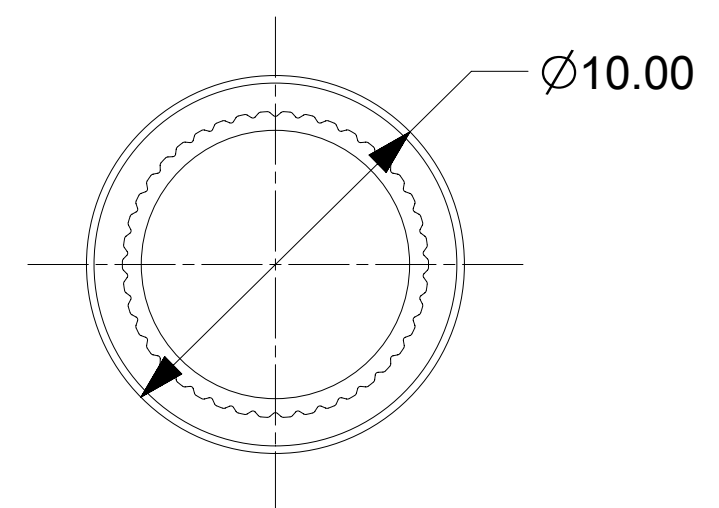
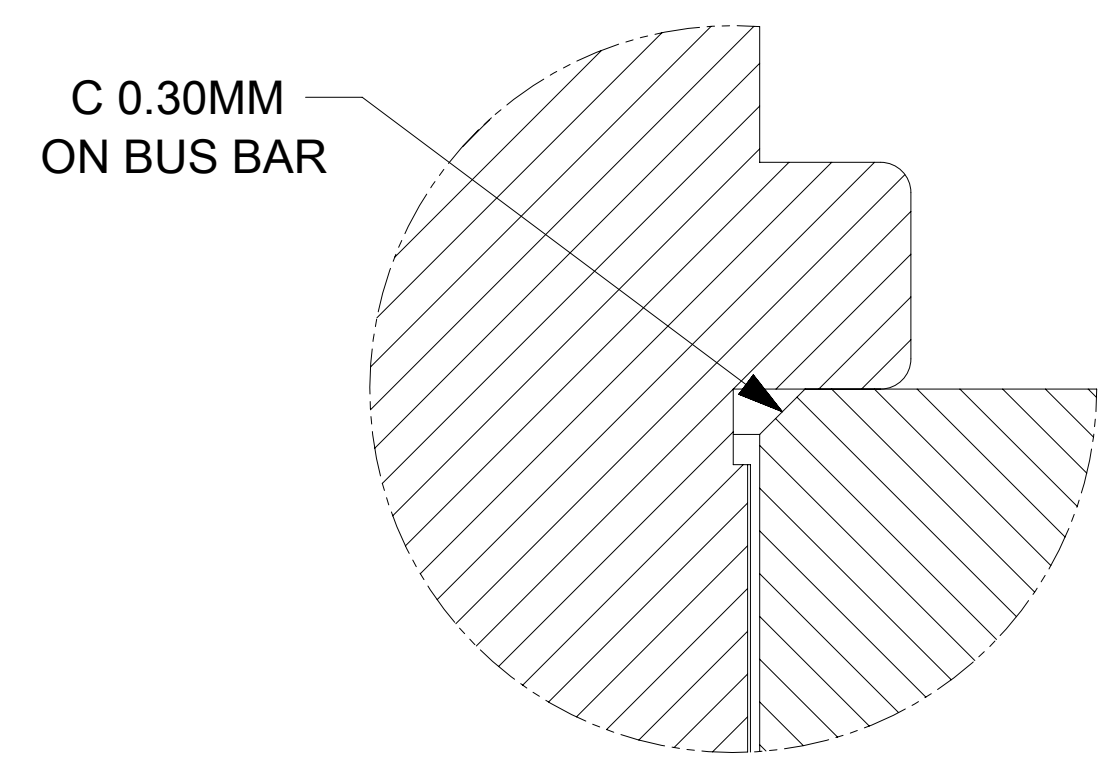
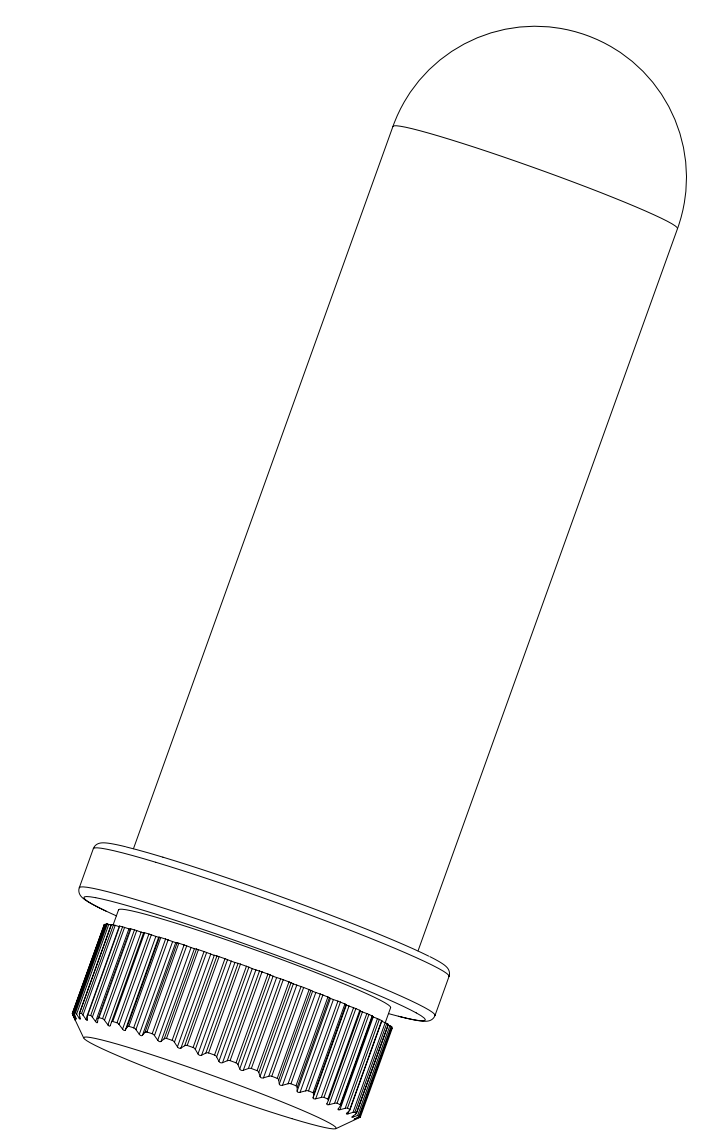
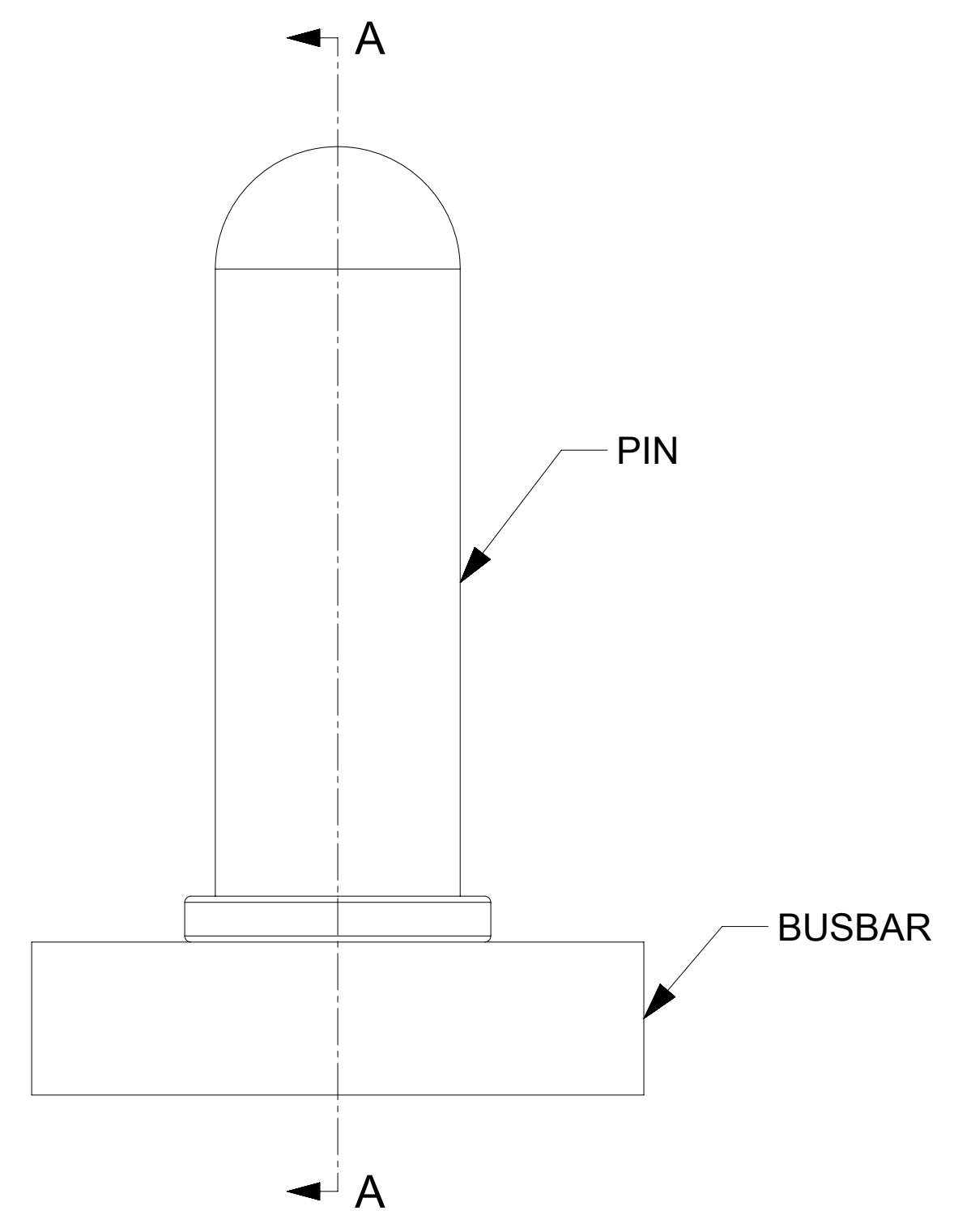
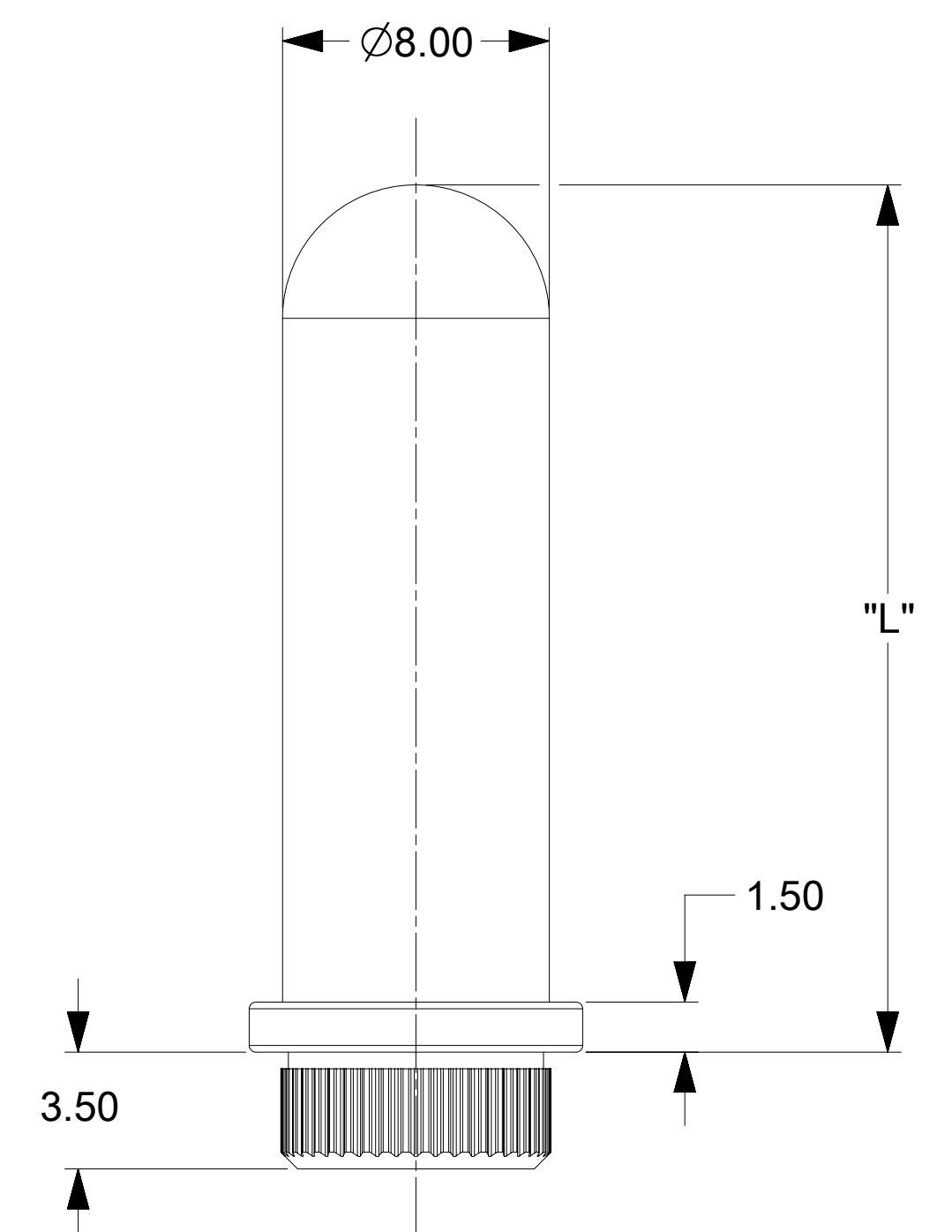


PART NUMBER	DIMENSION L
203263-0011	16.00
203263-0001	26.00
203263-0031	36.00
203263-0041	46.00
203263-0051	39.00
203263-0061	20.00
203263-0071	48.00



- NOTES :
- MATERIALS :
 - BASE METAL: HIGH CONDUCTIVE COPPER ALLOY
 - PLATING ON BODY: 3.18 MICRON MIN SILVER OVER 1.27 MICRON MIN NICKEL
 - PRODUCT SPECIFICATION : 2043130001-PS
 - APPLICATION SPECIFICATION : 2043130001-AS
 - PACKAGING SPECIFICATION : 2032630006-PK
 - SILVER COMPONENTS WILL BE SUPPLIED TARNISH FREE BUT MAY TARNISH OVER TIME.
 - MINIMUM RECOMMENDED BUSBAR THICKNESS IS 1.50MM

THIS DRAWING CONTAINS INFORMATION THAT IS PROPRIETARY TO MOLEX ELECTRONIC TECHNOLOGIES, LLC AND SHOULD NOT BE USED WITHOUT WRITTEN PERMISSION			
DIMENSION UNITS	SCALE	CURRENT REV DESC: UPDATED THE DESCRIPTION	
mm	NTS		
GENERAL TOLERANCES (UNLESS SPECIFIED)			
ANGULAR TOL	± 0.5°		
4 PLACES	±	EC NO: 726284	
3 PLACES	±	DRWN: SOURAJ 2022/10/26	
2 PLACES	± 0.15	CHK'D: SUVARS 2022/10/27	
1 PLACE	± 0.25	APPR: GSHARMA 2022/10/28	
0 PLACES	±	INITIAL REVISION:	
DRAFT WHERE APPLICABLE MUST REMAIN WITHIN DIMENSIONS		DRWN: TOMLU 2017/04/20	2018/06/14
		APPR: JJONIAK	
THIRD ANGLE PROJECTION	DRAWING	SERIES	MATERIAL NUMBER
	D-SIZE	203263	SEE TABLE
		CUSTOMER	SHEET NUMBER
		GENERAL MARKET	1 OF 1

molex

SENTRALITY 8.00MM MALE TERMINAL
PRESS-FIT

PRODUCT CUSTOMER DRAWING

DOCUMENT NUMBER	DOC TYPE	DOC PART	REVISION
2032630001-SD	PSD	000	A4