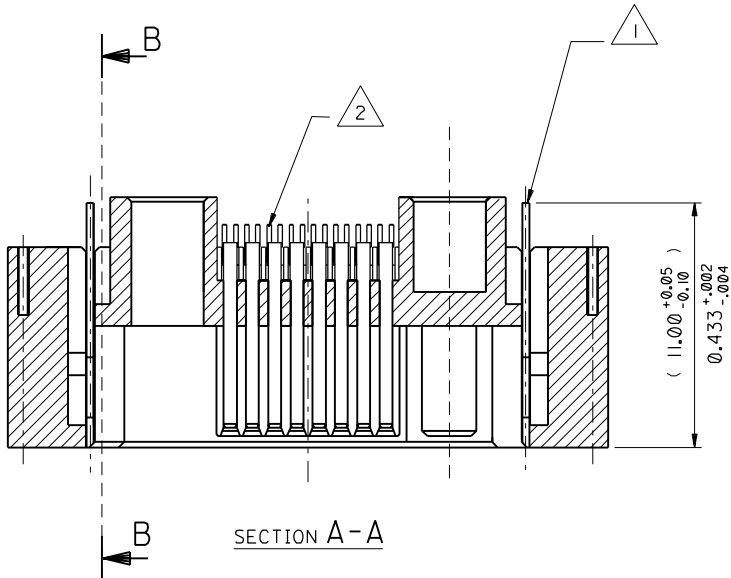
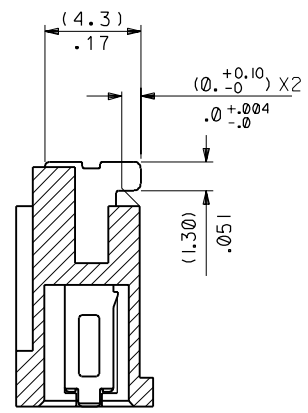


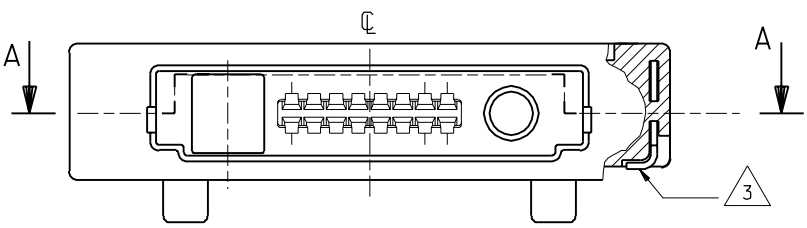
PART NO. 90811-0105  
 DWG. NO. SDA-90811-0105



SECTION A-A



SECTION B-B



FOR MISSING DIMENSIONS SEE DRAWING SDA-90811-0109

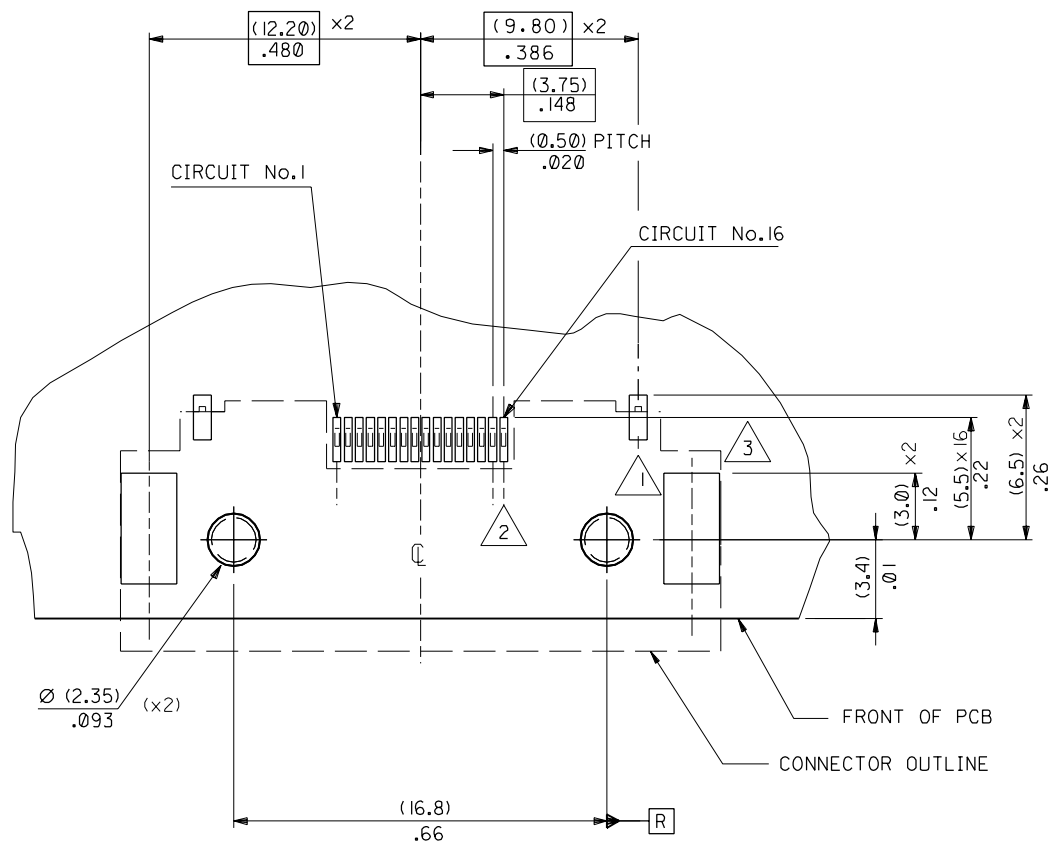
2	A
1	A
SH.	REV.

FOR PREVIOUS DRAWING ISSUES SEE MRI.

ORIGINAL RELEASE ECN E50434 95.03.29 HDU	DIMENSIONS SHOWN ( METRIC ) INCH UNLESS OTHERWISE SPECIFIED TOLERANCES: ANGULAR ± 1/2°	DRWG BY <b>HDU</b>												
A	<table border="1"> <tr> <th></th> <th>INCH</th> <th>( METRIC )</th> </tr> <tr> <td>3 PLACE</td> <td>± .002</td> <td></td> </tr> <tr> <td>2 PLACE</td> <td>± .004</td> <td>± 0.05</td> </tr> <tr> <td>1 PLACE</td> <td></td> <td>± 0.10</td> </tr> </table>		INCH	( METRIC )	3 PLACE	± .002		2 PLACE	± .004	± 0.05	1 PLACE		± 0.10	CHK'D BY
		INCH	( METRIC )											
3 PLACE	± .002													
2 PLACE	± .004	± 0.05												
1 PLACE		± 0.10												
LTR	DRAFT WHERE APPLICABLE MUST REMAIN WITHIN DIMENSIONS	APP'D BY												
	DESIGN DIMENSION (PRIMARY) <input checked="" type="checkbox"/> (MM) <input type="checkbox"/> IN.	SCALE												
	EQUIVALENT DIMENSION (SECONDARY) <input type="checkbox"/> (MM) <input checked="" type="checkbox"/> IN.	5:1												

REVISE ONLY ON CAD SYSTEM		THIS DRAWING CONTAINS INFORMATION THAT IS PROPRIETARY TO MOLEX INC. & SHOULD NOT BE USED WITHOUT WRITTEN PERMISSION	
TITLE <b>I/O CONNECTOR FOR MOBILE PHONE</b>			
MOLLEX MOLEX EUROPE		SHEET NO. DATE 10F2 95/03/29	
PART NO. <b>90811-0105</b>	DWG NO. <b>SDA-90811-0105</b>	SIZE <b>B</b>	

PART NO. **90811-0105**  
 DWG. NO. **90811-0105**  
**SDA-90811-0105**



COMPONENT	PCB PAD DIMENSION	QTY
LOCKING LATCHES	(0.80)/.031 x (2.0)/.079	$\Phi$ (0.10) / .004 R (x2)
SIGNAL CONTACTS	(0.35 $\pm$ 0.05) / .014 $\pm$ 0.002 x (2.0) / .08	$\Phi$ (0.10) / .004 R (x16)
SMT RETENTION PADS	(2.50) / .098 x (5.0) / .197	$\Phi$ (0.10) / .004 R (x2)

FOR PREVIOUS DRAWING ISSUES SEE MRI.

A SEE SHEET I.

DIMENSIONS SHOWN ( METRIC ) INCH UNLESS OTHERWISE SPECIFIED TOLERANCES: ANGULAR $\pm$ 1/2°	INCH	( METRIC )
	3 PLACE $\pm$ .002	$\pm$ 0.05
	2 PLACE $\pm$ .004	$\pm$ 0.10
	1 PLACE	$\pm$ 0.10
DRAFT WHERE APPLICABLE MUST REMAIN WITHIN DIMENSIONS		
DESIGN DIMENSION (PRIMARY)	<input checked="" type="checkbox"/> (MM)	<input type="checkbox"/> IN.
EQUIVALENT DIMENSION (SECONDARY)	<input type="checkbox"/> (MM)	<input checked="" type="checkbox"/> IN.

DRWG BY **HDU**  
 CHK'D BY  
 APP'D BY  
 SCALE **5:1**

REVISE ONLY ON CAD SYSTEM SHL REV.

CAD/CAM FILENAME: P908116 DGN  
 THIS DRAWING CONTAINS INFORMATION THAT IS PROPRIETARY TO MOLEX INC. & SHOULD NOT BE USED WITHOUT WRITTEN PERMISSION

TITLE **I/O CONNECTOR FOR MOBILE PHONE**

**MOLEX EUROPE** SHEET NO. **20F** DATE **95/03/29**

PART NO. **90811-0105** DWG. NO. **SDA-90811-0105** SIZE **B**