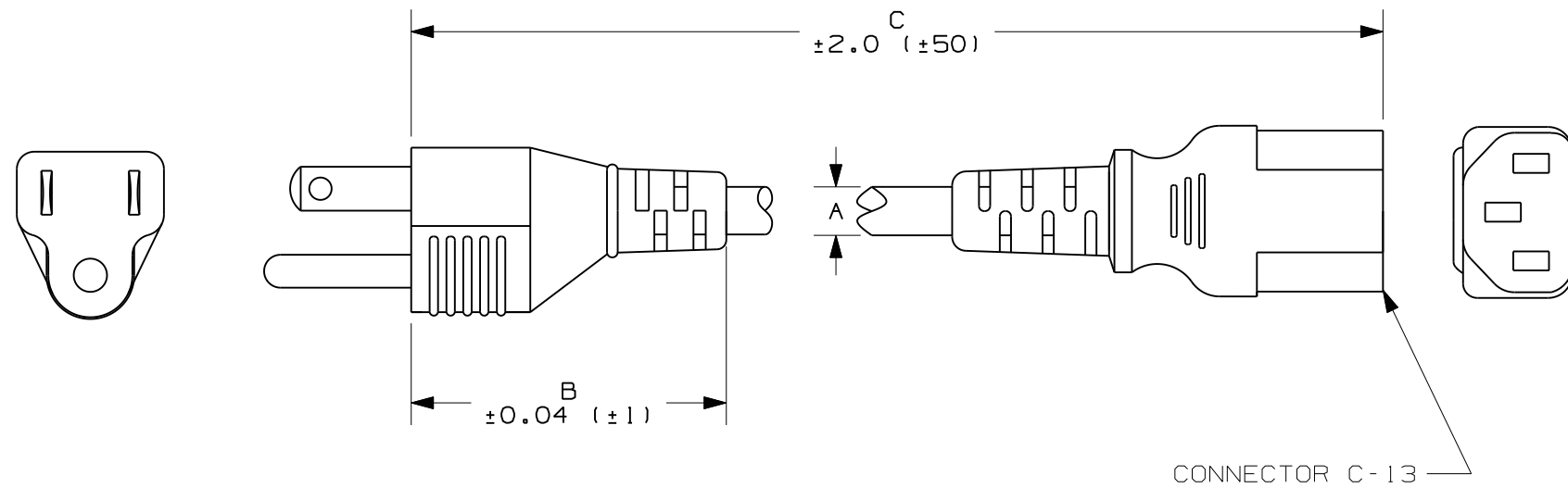


THIS COPY IS PROVIDED ON A RESTRICTED BASIS AND IS NOT TO BE USED IN ANY WAY DETRIMENTAL TO THE INTERESTS OF PANDUIT CORP.

PART #	COLOR	A (REF) IN (mm)	B IN (mm)	C IN (mm)	APPROXIMATE WEIGHT LBS. (g)
P515C13BL1.5	BLACK	0.25 (6.3)	1.77 (45.0)	18 (460)	0.18 (82)
P515C13BL3				37 (950)	0.24 (111)
P515C13BL6				72 (1830)	0.36 (165)
P515C13GY3	GRAY	0.25 (6.3)	1.77 (45.0)	37 (950)	0.24 (111)
P515C13GY6				72 (1830)	0.36 (165)



NOTES:

- SEE [www.panduit.com](http://www.panduit.com) FOR PART NUMBER SUFFIX DESIGNATION FOR PACKAGE SIZE.
- RATING: 10A/125V AC.
- CORD ASSEMBLY HAS THESE APPROVALS: UL, CSA OR cUL.
- PRODUCT IS RoHS COMPLIANT.

REV	DATE	BY	CHK	DESCRIPTION	ECN	R	CUST	SUP	QC
01A	7-19-12	DBLA	DJW	INITIAL DRAWING RELEASE	GAENC00093	OO	KLN		

CAD FILENAME/LAYERS		11K026BC_DC/01A	
<h1>PANDUIT</h1> CORP TINLEY PARK, ILLINOIS CUSTOMER DRAWING NEMA 5-15P TO IEC60320-C13 POWER CORD			
UNLESS OTHERWISE SPECIFIED, DIMENSIONAL TOLERANCES ARE: (.X) ± .1 (.XXX) ± .005 (.XX) ± .01 ANGLES ± 5°		UNLESS OTHERWISE SPECIFIED, ALL DIMENSIONS ARE GIVEN IN INCHES, THIRD ANGLE PROJECTION	
DRAWN BY RVU	MAT'L:	SCALE 1 : 1	DWG SIZE B
DATE 5/22/12	SEE NOTES	DRAWING NO. 11K026BC-DC	
CHK'D KLN			