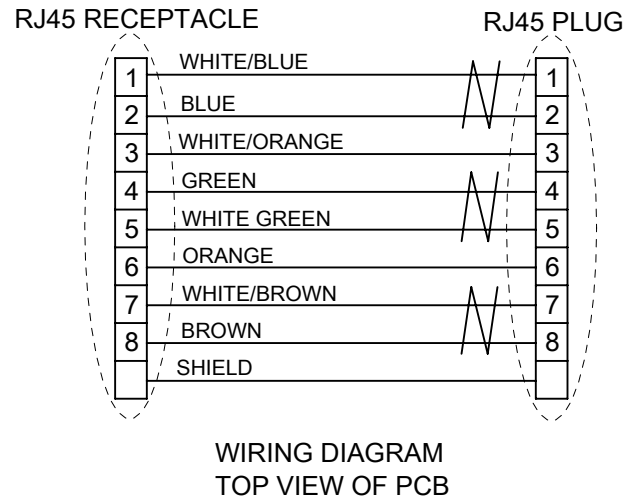


MATERIAL NO.	ENGINEERING NO.	LENGTH
1300550002	ENSP1F5C305	30.5 CM (1.0 FT)
1300550003	ENSP1F5C305-V	30.5 CM (1.0 FT)
1300550004	ENSP1F5M006	0.6 M (1.97 FT)
1300550005	ENSP1F5M010	1.0 M (3.28 FT)
1300550006	ENSP1F5M010-V	1.0 M (3.28 FT)
1300558010	ENSP1F5C110	11.0 CM (.35 FT)

# ENSP1F5C305-V

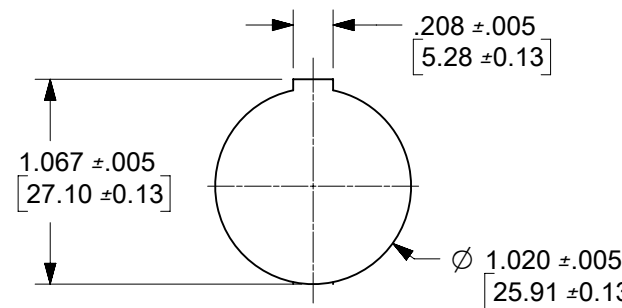
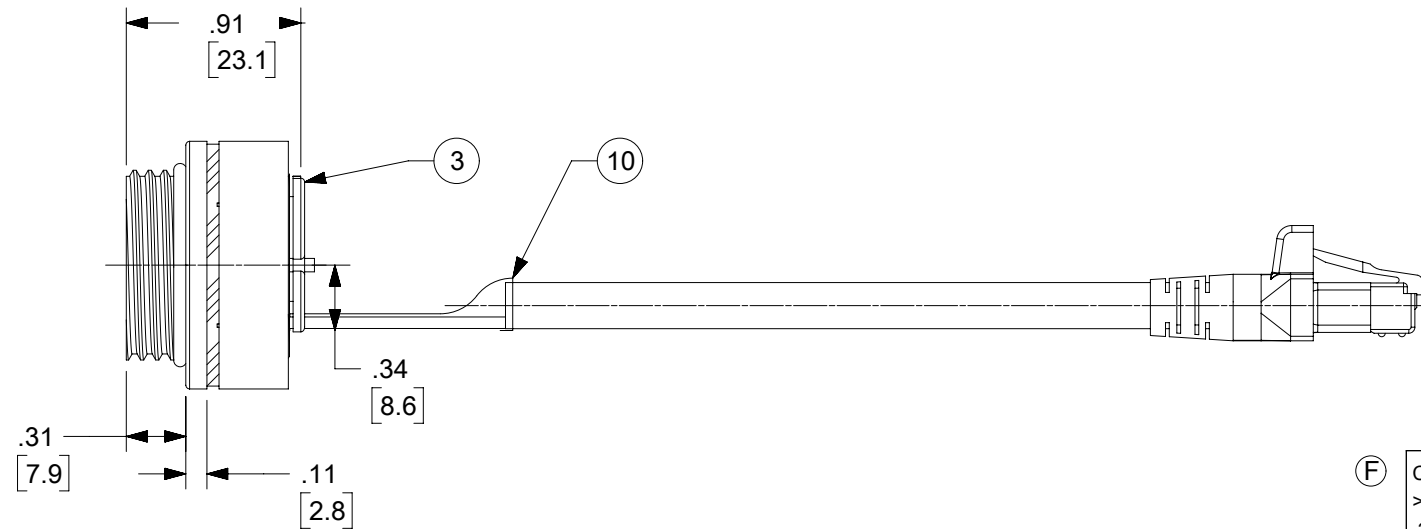
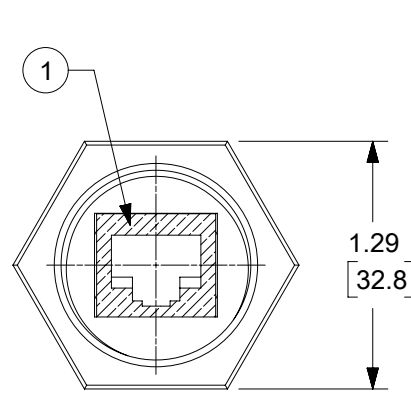
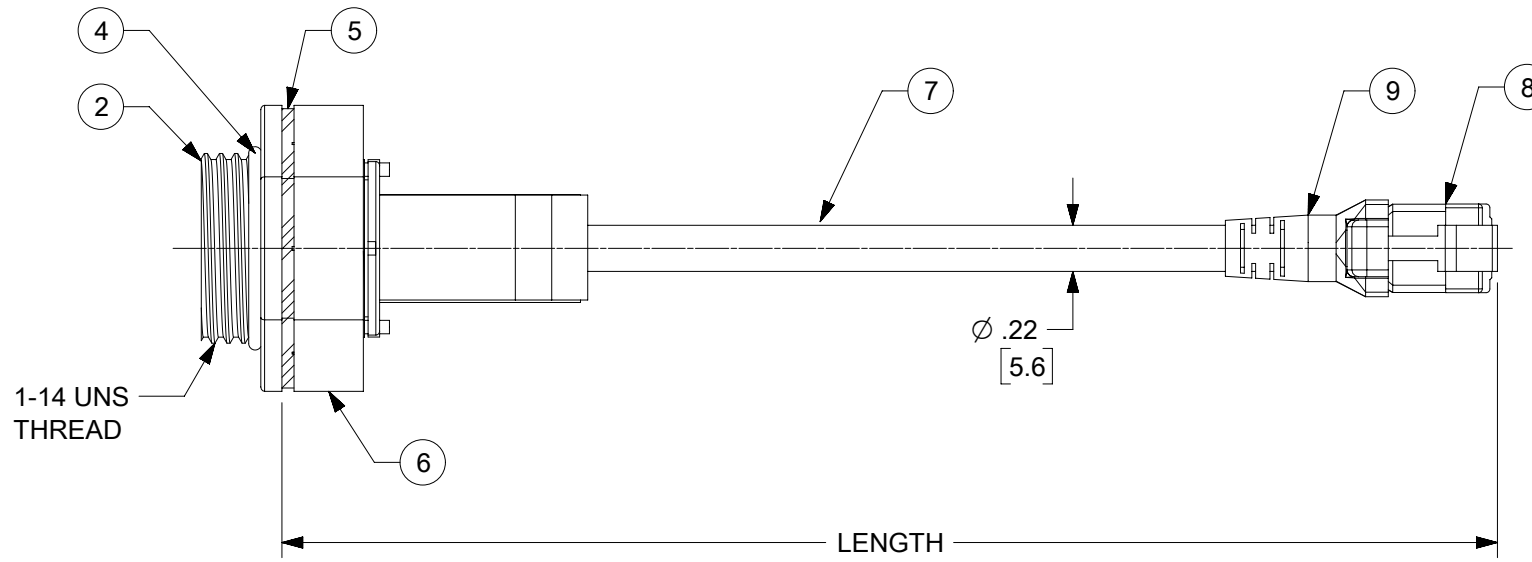
LENGTH  UV OPTION  
 M001 = .1 METERS  
 M010 = 1.0 METERS  
 M100 = 10 METERS

## PART NUMBER MATRIX

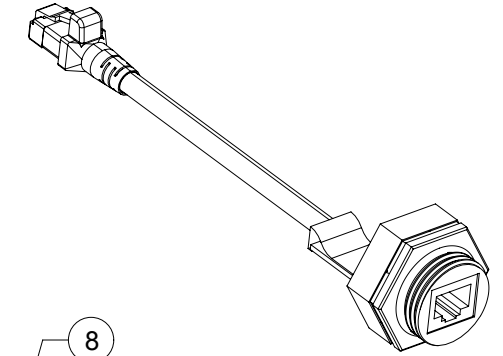


- NOTES:
1. MATERIAL: SEE TABLE
  2. FINISHES: SEE TABLE
  3. ELECTRICAL RATING:  
MAX VOLTAGE: 125V DC  
MAX CURRENT: 1.5A
  4. TEMP RANGE: -20°C TO 75°C
  5. PROTECTION: RJ-LYNX CONNECTOR ASSY: IP67 (WHEN MATED)  
RJ45 PLUG: IP 20 (WHEN MATED)
  6. PACKAGING:  
ASSEMBLIES ARE BAGGED SPERATELY  
IN POLY BAGS WITH BAR CODE LABEL ATTACHED  
TO OUTSIDE OF BAG.
  7. DIMENSIONS SHOWN ARE FOR REFERENCE UNLESS  
NOTED OR TOLERANCED OTHERWISE

10	HEAT SHRINK	POLYOLEFIN	BLACK	
9	RJ45 BOOT (HOODED)	PVC (E)	BLACK	
8	RJ45 PLUG 8 POS, SHIELDED	Cu/PC	NI PLATED	
7	CABLE 4T/P 26AWG 5E, SHLD	PVC	BLACK	
6	HEX NUT	ABS (E)	BLACK	
5	BULKHEAD GASKET	NITRILE	BLACK	
4	O RING	VITON	BROWN	VITON/BLACK
3	REAR COVER	ABS	BLACK	ASA/BLACK
2	RJ- LYNX HOUSING	ABS	BLACK	ASA/BLACK
1	RJ45 RECEPTACLE W/PCB SUB ASSY.	-	-	
ITEM	DESCRIPTION	MATERIAL	FINISH	MAT/FINISH (UV OPT)



SUGGESTED PANEL CUT OUT  
 PANEL THICKNESS:  
 .062 MIN.  
 .125 MAX. WITH GASKET  
 .187 MAX. WITHOUT GASKET



CABLE LENGTH TOLERANCES

>.3M [1FT]:	+19mm-0 [ +.75in-0]
.3 - .9M [1 - 3FT]:	+44.5mm-0 [+1.75in-0]
.9 - 1.8M [3 - 6FT]:	+55.6mm-0 [+2.19in-0]
1.8 - 3.7M [6 - 12FT]:	+88.9mm-0 [+3.50in-0]
3.7 - 7.3M [12 - 24FT]:	+165.1mm-0 [+6.50in-0]
7.3-14.6M [24 - 48FT]:	+317.5mm-0 [+12.50in-0]
14.6 - 30.5M [48-100FT]:	+622.3mm-0 [+24.50in-0]
OVER 30M [100FT]	+2% OF FINISHED LENGTH

FUNCTIONAL SYMBOLS	DIMENSION UNITS	SCALE	CURRENT REV DESC: VOID DOC, SUPERSEDED BY 1300500010 PDD
FA = 0	INCH/MM	1:1	
FE = 0	GENERAL TOLERANCES (UNLESS SPECIFIED)		
FD = 0			
		MM	INCH
	4 PLACES	±	±
	3 PLACES	±	±
	2 PLACES	±	±
	1 PLACE	±	±
	0 PLACES	±	±
	ANGULAR TOL	± °	
	DRAFT WHERE APPLICABLE MUST REMAIN WITHIN DIMENSIONS		
	THIRD ANGLE PROJECTION	DRAWING	SERIES
		B-SIZE	130055
		MATERIAL NUMBER	CUSTOMER
		SEE P/N MATRIX	GENERAL MARKET
		SHEET NUMBER	1 OF 1

**molex**

ENET FR/MP PASS  
10T SHD

PRODUCT CUSTOMER DRAWING

DOCUMENT NUMBER: SD-130055-002  
 DOC TYPE: PSD  
 DOC PART: 001  
 REVISION: F