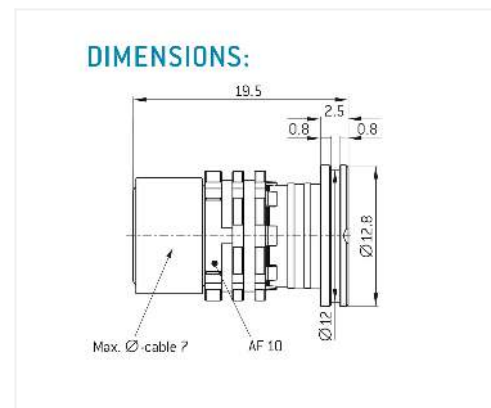
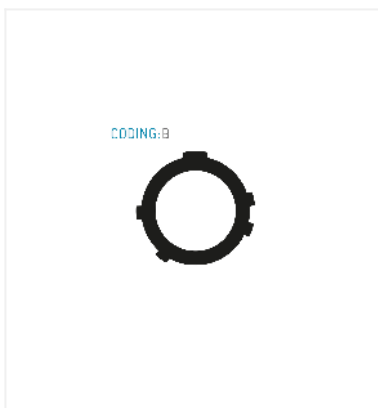


## General information

Part number	K10WBM-P16WBC0-0000
Termination	solder
Size	0
Locking principle	break
Coding	b_key_amc
Cable Diameter	cable_amchd_0
Cable outlet	overmolding



## Contact insert description

Number of contacts	16
Contact type	sockets
Contact diameter	03mm
Insulator material	peek
Wire cross section	28_awg
Termination	solder

reverse\_gender\_on\_request

## Technical information

Nominal current single contact	01_a	iec_60512_5_2
Nominal current insert	0,5 A	vde_0298_4
Test voltage	075_kv_dc	eia_364_20f

safety\_text

## Mechanical and environmental data

Degree of protection*	ipsk8_ip6k9k
-----------------------	--------------

Operating temperature	51_125_c
-----------------------	----------

Mating cycles	5000
---------------	------

mated

## Material and surface treatments

Housing	ruthenium
---------	-----------

Contact	cu_alloy_gold
---------	---------------

safety\_text\_2

ul\_text

illustrative\_text