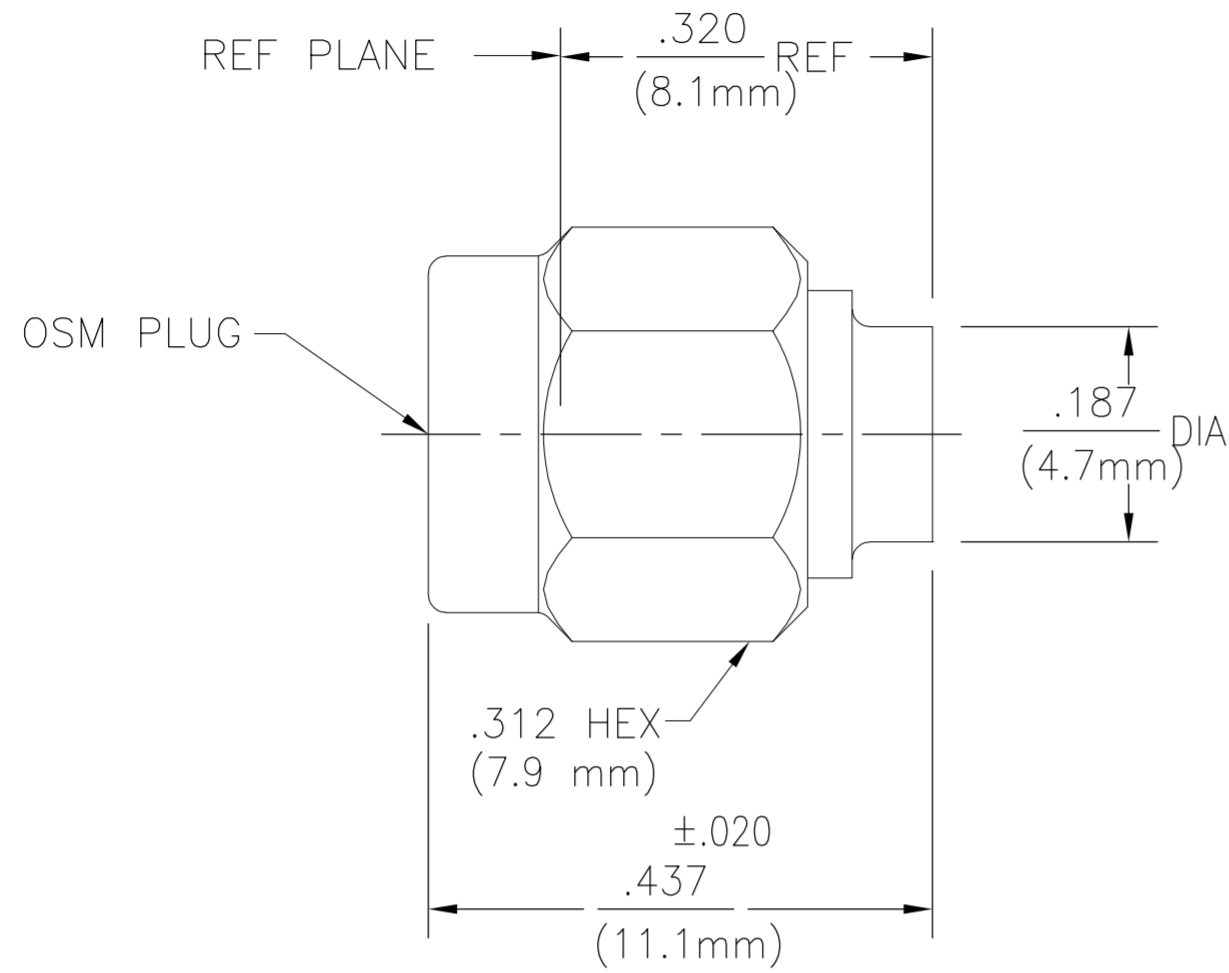


THIS DRAWING IS UNPUBLISHED. RELEASED FOR PUBLICATION
 © COPYRIGHT BY TYCO ELECTRONICS CORPORATION. ALL INTERNATIONAL RIGHTS RESERVED.

DESIGNED FOR USE WITH
 .085 DIA S.R. CABLE
 CABLE ENTRY DIAMETER
 MINIMUM
 CONTACT .021
 HOUSING .089

LOC		DIST		REVISIONS			
P	LTR	DESCRIPTION	DATE	DWN	APVD		
		B		REV PER ECO 07-004710	03-14-07	DW	KW
		C		REVISED PER ECO-08-030676	02-24-09	AEG	JKO



- ① BRASS
- ② STAINLESS STEEL
- ③ BERYLLIUM COPPER
- ④ PTFE
- ⑤ GOLD PLATE
- ⑥ PASSIVATED
- ⑦ SILICONE RUBBER
- ⑧ NICKEL PLATE

ELECTRICAL	MECHANICAL	ENVIRONMENTAL
Nominal Impedance (Ohms) <u>50</u>	Interface Dimensions MIL-STD-348, Fig. <u>310.1</u>	TEMPERATURE RATING <u>-65°C TO 105°C</u>
Frequency Range (GHz) DC to <u>18.0</u>	Recommended Mating Torque <u>7 to 10 in-lbs</u>	Vibration MIL-STD-202, Method 204, Condition D.
Volt Rating (VRMS MAX) @ Sea Level <u>335</u>	Coupling Nut: Retention (lbs MIN) <u>60</u>	Shock MIL-STD-202, Method 213, Condition I.
VSWR <u>1.07 + .008 f(GHz)</u>	Proof Torque (in-lbs MIN) <u>15</u>	Thermal Shock MIL-STD-202, Method 107, Condition B, EXCEPT HIGH TEMP <u>115°C.</u>
Insertion Loss (dB MAX) <u>.03 √f(GHz)</u>	Force to Engage and Disengage (in-lbs MAX) <u>2.0</u>	Moisture Resistance MIL-STD-202, Method 106.
RF Leakage (dB MIN) <u>-[90-f(GHz)]</u>	Center Contact Captivation Axial (lbs) <u>N/A</u>	Corrosion - MIL-STD-202, Method 101, Condition B, 5% salt spray.
Dielectric Withstanding Voltage (VRMS MIN) @ Sea Level <u>1,000</u>	Radial (in-oz) <u>N/A</u>	
Contact Resistance (Milliohms MAX) Center Contact <u>3.0</u>	Cable Retention Axial Force (lbs MIN) <u>30</u>	
Outer Contact <u>2.0</u>	Torque (in-oz MIN) <u>16</u>	
Cable to Housing <u>0.5</u>	Weight (Grams) <u>2.2</u>	
RF High Potential @ Sea Level (VRMS MIN @ 5 MHz) <u>670</u>		
I.R.(Megohms MIN) <u>10,000</u>		

④	③⑤	①⑤	①⑧	⑦	③	1050651-2
④	③⑤	②⑤	②⑥	⑦	③	1050651-1
DIELECTRIC	CONTACT	HOUSING	COUPLING NUT	GASKET	RETAINING RING	TE PN

THIS DRAWING IS A CONTROLLED DOCUMENT.

DIMENSIONS: INCHES	TOLERANCES UNLESS OTHERWISE SPECIFIED:	DWN SD 9/23/92	Tyco Electronics Corporation Harrisburg, PA 17105-3608
	0 PLC ± - 1 PLC ± - 2 PLC ± - 3 PLC ± .005 4 PLC ± - ANGLES ± 1°	CHK -	
MATERIAL	FINISH	APVD BB 9/23/92	NAME
-	-	PRODUCT SPEC	OSM STRAIGHT CABLE PLUG DIRECT SOLDER ATTACHMENT
		APPLICATION SPEC	SIZE CAGE CODE DRAWING NO RESTRICTED TO
		WEIGHT -	A2 00779 C=1050651 -
		CUSTOMER DRAWING	SCALE 6:1 SHEET 1 of 1 REV C