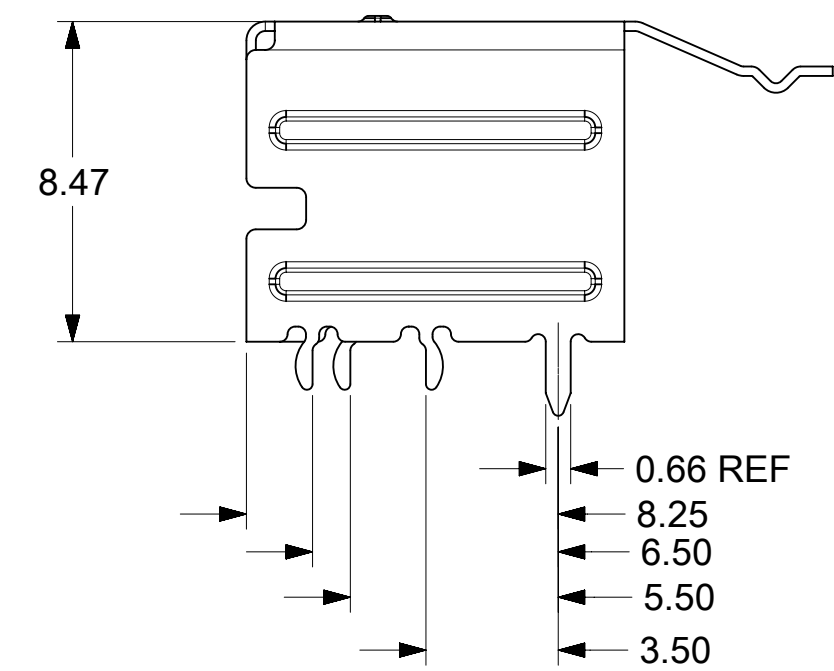
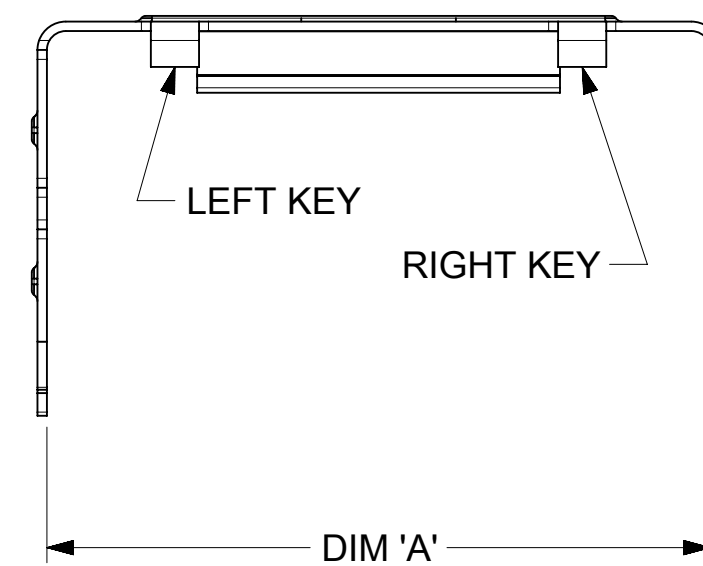
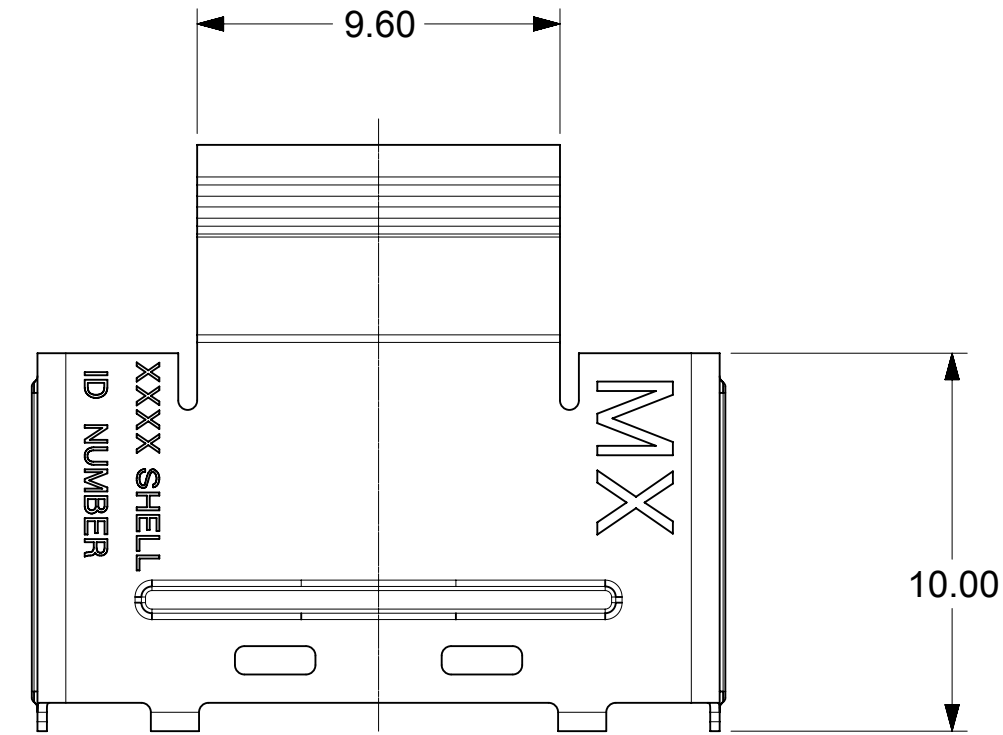
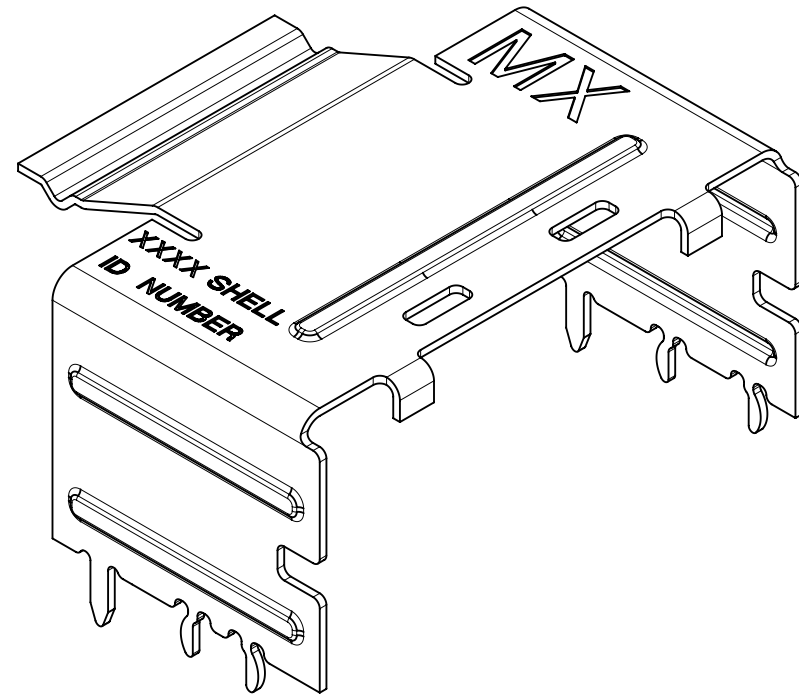


# RETENTION FIT SHELL



ITEM NUMBER	CIRCUIT SIZE	DIM 'A'	KEY
76010-5000	26	13.55	LEFT
76010-5010	26	13.55	RIGHT
76010-5020	26	13.55	DUAL
76010-5100	36	17.55	LEFT
76010-5110	36	17.55	RIGHT
76010-5120	36	17.55	DUAL
76010-5030	26	13.55	UNIVERSAL
76010-5130	36	17.55	UNIVERSAL
76010-5200	50	23.15	LEFT
76010-5210	50	23.15	RIGHT
76010-5220	50	23.15	DUAL
76010-5300	68	30.35	LEFT
76010-5310	68	30.35	RIGHT
76010-5320	68	30.35	DUAL
76010-5230	50	23.15	UNIVERSAL
76010-5330	68	30.35	UNIVERSAL

UNIVERSAL = NO KEY

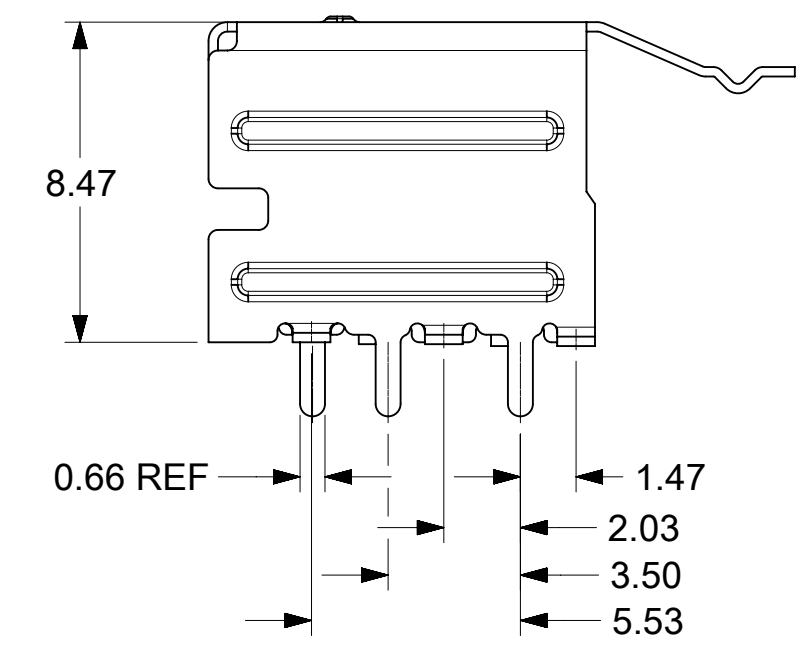
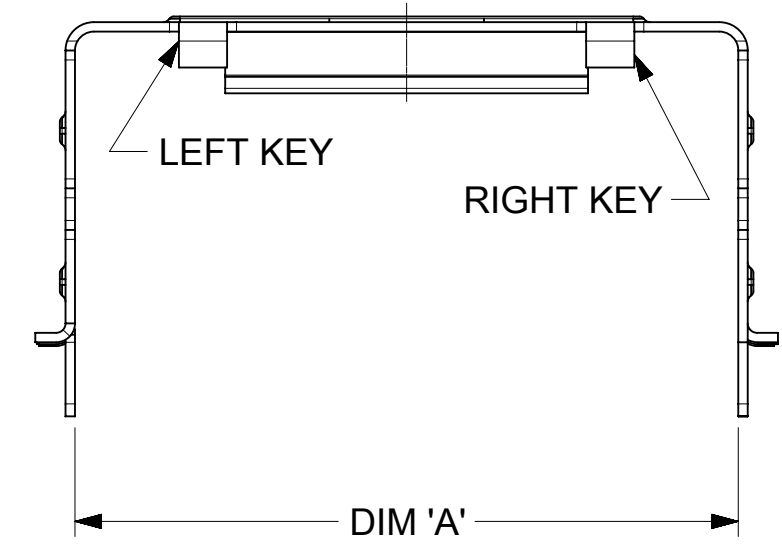
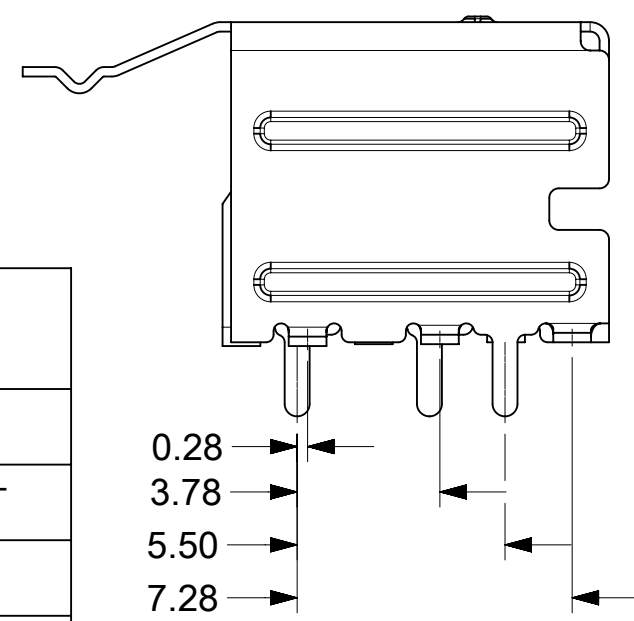
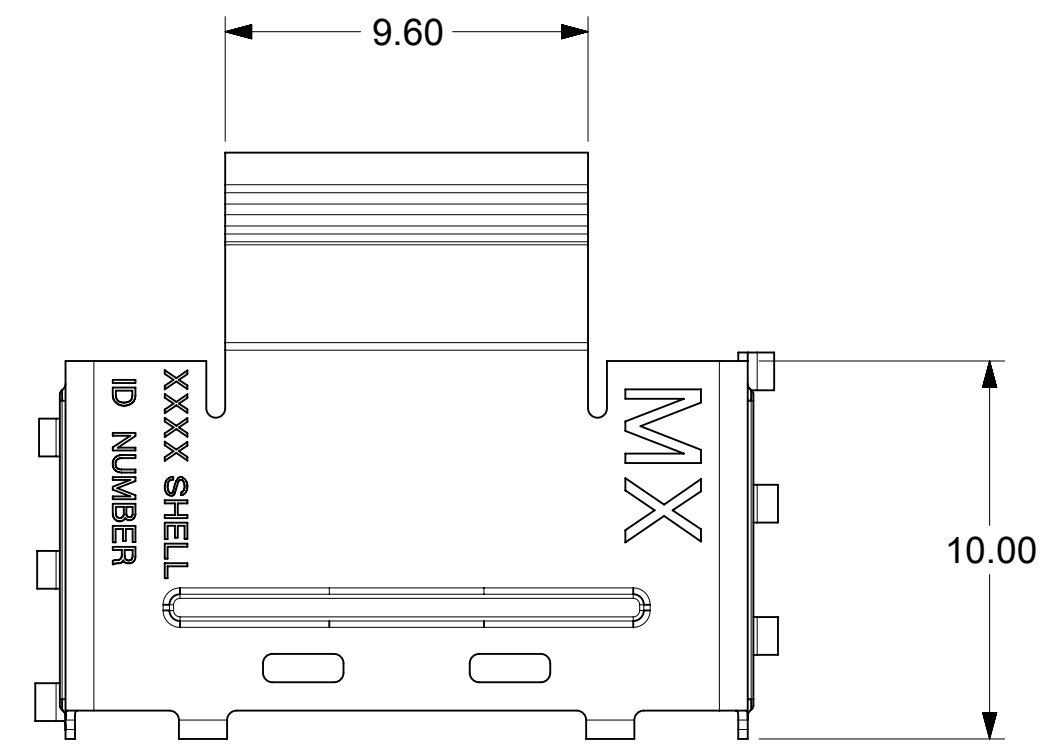
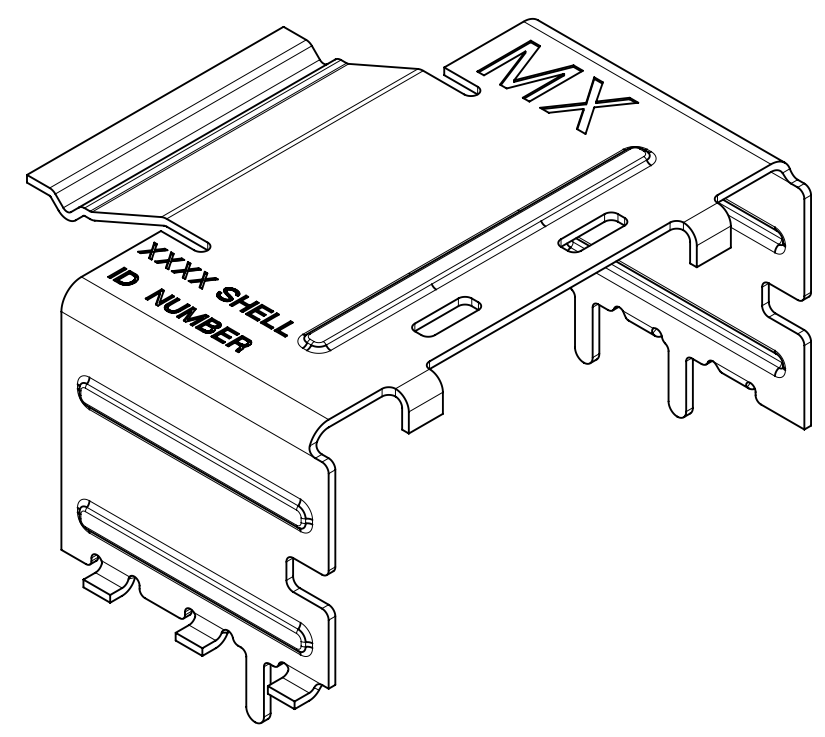
**NOTES:**

1. MATERIAL: SILVER NICKEL, THICKNESS: 0.250/0.254
2. TO BE USED WITH CONNECTOR SERIES 75586, CABLE SERIES 79575/74563/79576/74573/79536/74562/74569/74586
3. PACKAGED PER PACKAGING SPECIFICATION PK-76010-001
4. DATE CODE WILL APPEAR ON SHIPPING CARTON ONLY

iPass™ IS A TRADEMARK OF MOLEX

THIS DRAWING CONTAINS INFORMATION THAT IS PROPRIETARY TO MOLEX ELECTRONIC TECHNOLOGIES, LLC AND SHOULD NOT BE USED WITHOUT WRITTEN PERMISSION											
DIMENSION UNITS		SCALE		CURRENT REV DESC:							
MM		5:1									
GENERAL TOLERANCES (UNLESS SPECIFIED)				EC NO: 620216		2018/06/21		I-PASS SHELL RIGHT ANGLE INTERNAL CABLE PRODUCT CUSTOMER DRAWING			
4 PLACES ±				DRWN: AKUMAR19		2019/07/09					
3 PLACES ± 0.13				CHK'D: GGA		2019/07/09		DOCUMENT NUMBER			
2 PLACES ± 0.13				APPR: GGA		2019/07/09		SD-76010-001			
1 PLACE ± 0.25				INITIAL REVISION:		2006/02/16		DOC TYPE		DOC PART	
0 PLACES ±				DRWN: JLSWENSON		2006/02/16		PSD		001	
ANGULAR TOL ± 0.5°				APPR: MBANAKIS		2006/02/16		D		REVISION	
DRAFT WHERE APPLICABLE MUST REMAIN WITHIN DIMENSIONS				THIRD ANGLE PROJECTION		DRAWING		SERIES		SHEET NUMBER	
						C-SIZE		76010		1 OF 7	
								MATERIAL NUMBER		CUSTOMER	
								SEE TABLE		GENERAL MARKET	

# SMT SHELL



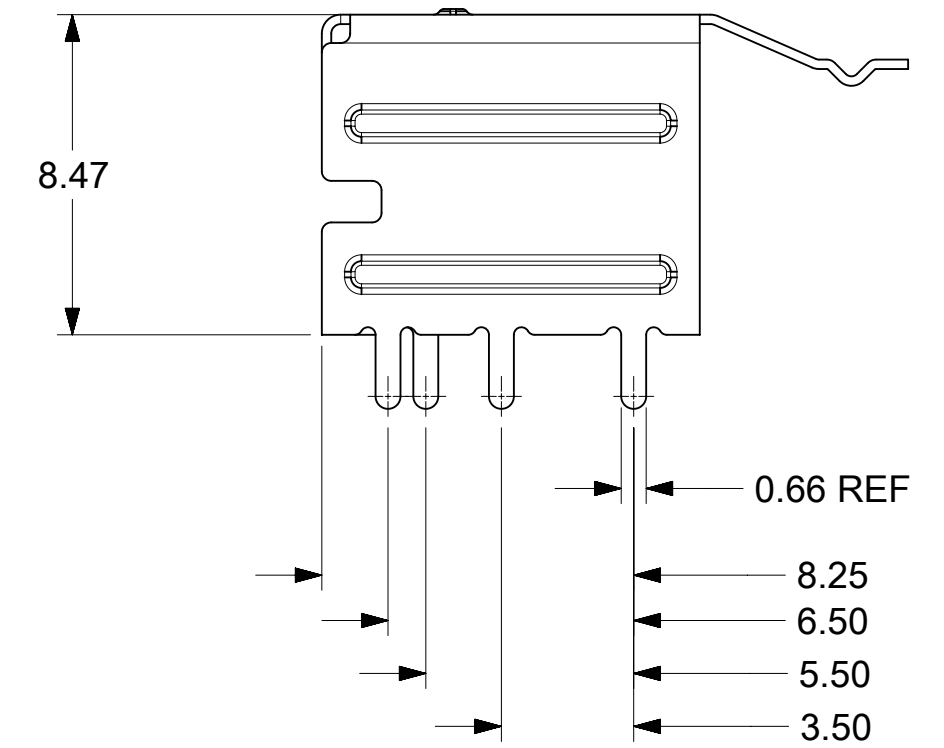
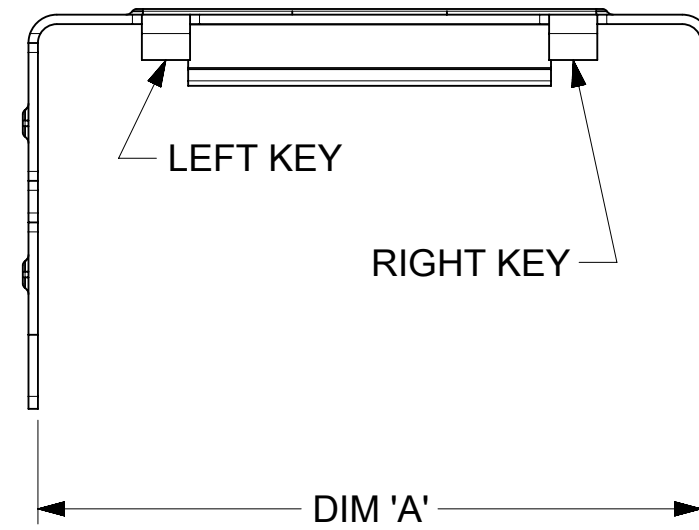
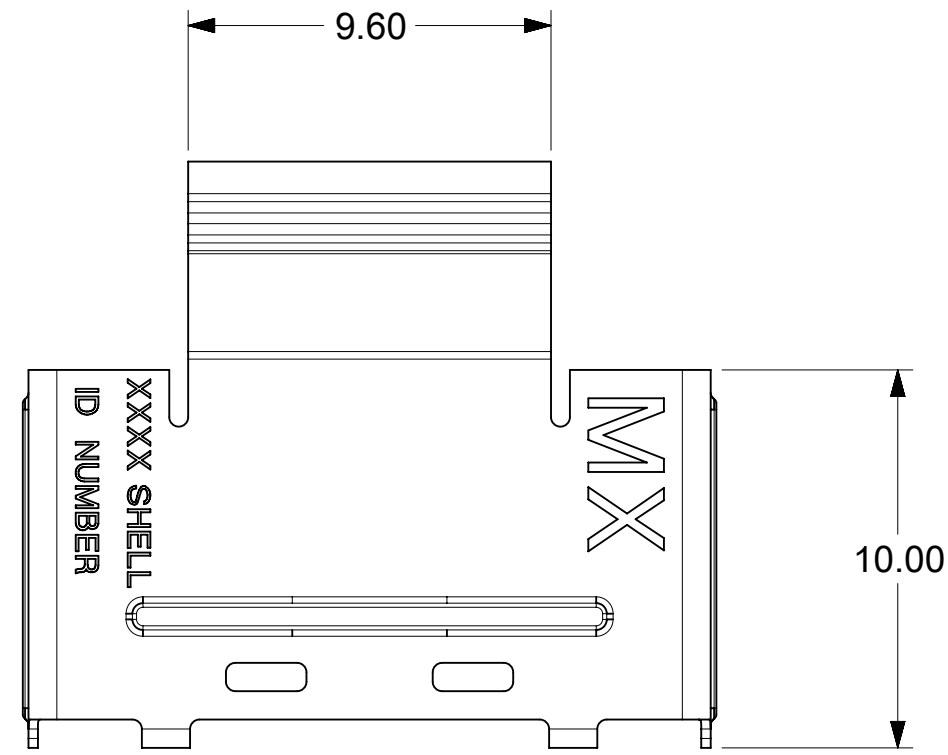
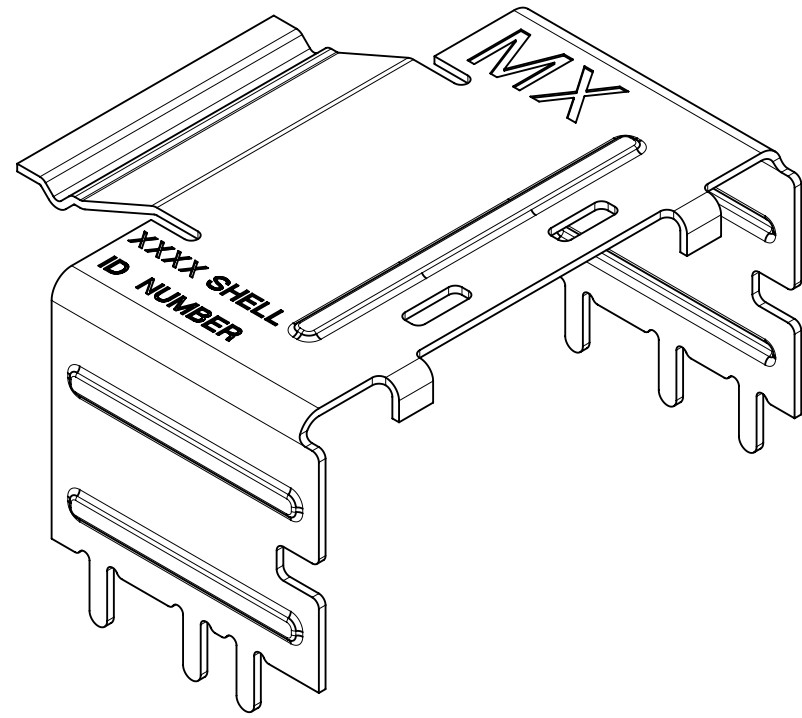
ITEM NUMBER	CIRCUIT SIZE	DIM 'A'	KEY
76010-5001	26	13.55	LEFT
76010-5011	26	13.55	RIGHT
76010-5021	26	13.55	DUAL
76010-5101	36	17.55	LEFT
76010-5111	36	17.55	RIGHT
76010-5121	36	17.55	DUAL
76010-5131	36	17.55	UNIVERSAL
76010-5201	50	23.15	LEFT
76010-5211	50	23.15	RIGHT
76010-5221	50	23.15	DUAL
76010-5301	68	30.35	LEFT
76010-5311	68	30.35	RIGHT
76010-5321	68	30.35	DUAL
76010-5231	50	23.15	UNIVERSAL
76010-5331	68	30.35	UNIVERSAL

UNIVERSAL = NO KEY

iPass™ IS A TRADEMARK OF MOLEX

THIS DRAWING CONTAINS INFORMATION THAT IS PROPRIETARY TO MOLEX ELECTRONIC TECHNOLOGIES, LLC AND SHOULD NOT BE USED WITHOUT WRITTEN PERMISSION											
DIMENSION UNITS		SCALE		CURRENT REV DESC:							
MM		5:1									
GENERAL TOLERANCES (UNLESS SPECIFIED)				EC NO: 620216		DRWN: AKUMAR19		2018/06/21		I-PASS SHELL RIGHT ANGLE INTERNAL CABLE	
				CHK'D: GGA		2019/07/09					
4 PLACES ±				APPR: GGA		2019/07/09		PRODUCT CUSTOMER DRAWING			
3 PLACES ± 0.13				INITIAL REVISION:		DRWN: JLSWENSON		2006/02/16		DOCUMENT NUMBER	
2 PLACES ± 0.13				APPR: MBANAKIS		2006/02/16		SD-76010-001		DOC TYPE DOC PART REVISION	
1 PLACE ± 0.25				THIRD ANGLE PROJECTION		DRAWING		SERIES		MATERIAL NUMBER	
0 PLACES ±				DRAFT WHERE APPLICABLE MUST REMAIN WITHIN DIMENSIONS		C-SIZE		76010		CUSTOMER	
ANGULAR TOL ± 0.5°										GENERAL MARKET	
										SHEET NUMBER	
										2 OF 7	

# THROUGH HOLE SHELL (PART NUMBERS ON SHEET 4)



iPass™ IS A TRADEMARK OF MOLEX

THIS DRAWING CONTAINS INFORMATION THAT IS PROPRIETARY TO MOLEX ELECTRONIC TECHNOLOGIES, LLC AND SHOULD NOT BE USED WITHOUT WRITTEN PERMISSION

DIMENSION UNITS		SCALE		CURRENT REV DESC:			
MM		5:1					
GENERAL TOLERANCES (UNLESS SPECIFIED)				EC NO: 620216			
		MM	INCH	DRWN: AKUMAR19		2018/06/21	
4 PLACES		±	±	CHK'D: GGA		2019/07/09	
3 PLACES		±	0.13	APPR: GGA		2019/07/09	
2 PLACES		±	0.13	INITIAL REVISION:			
1 PLACE		±	0.25	DRWN: JLSWENSON		2006/02/16	
0 PLACES		±	±	APPR: MBANAKIS		2006/02/16	
ANGULAR TOL		± 0.5 °		THIRD ANGLE PROJECTION			
DRAFT WHERE APPLICABLE MUST REMAIN WITHIN DIMENSIONS				DRAWING		SERIES	
				C-SIZE		76010	
				MATERIAL NUMBER		CUSTOMER	
				SEE TABLE		GENERAL MARKET	
				DOCUMENT NUMBER		DOC TYPE   DOC PART   REVISION	
				SD-76010-001		PSD   001   D	
				SHEET NUMBER		3 OF 7	

**molex**

I-PASS SHELL  
RIGHT ANGLE INTERNAL CABLE

PRODUCT CUSTOMER DRAWING

SD-76010-001

PSD 001 D

SEE TABLE GENERAL MARKET 3 OF 7

DOCUMENT STATUS P1 RELEASE DATE 2019/07/09 04:16:27

# THROUGH HOLE SHELL (PART NUMBERS)

ITEM NUMBER	CIRCUIT SIZE	DIM 'A'	DIM 'B'	KEY
76010-5002	26	13.55	1.96	LEFT
76010-5012	26	13.55	1.96	RIGHT
76010-5022	26	13.55	1.96	DUAL
76010-5102	36	17.55	1.96	LEFT
76010-5112	36	17.55	1.96	RIGHT
76010-5122	36	17.55	1.96	DUAL
76010-5132	36	17.55	1.96	UNIVERSAL
76010-5103	36	17.55	2.79	LEFT
76010-5113	36	17.55	2.79	RIGHT
76010-5123	36	17.55	2.79	DUAL
76010-5133	36	17.55	2.79	UNIVERSAL
76010-5104	36	17.55	3.18	LEFT
76010-5114	36	17.55	3.18	RIGHT
76010-5124	36	17.55	3.18	DUAL
76010-5134	36	17.55	3.18	UNIVERSAL
76010-5141	36	17.55	3.56	LEFT
76010-5151	36	17.55	3.56	RIGHT
76010-5161	36	17.55	3.56	DUAL
76010-5171	36	17.55	3.56	UNIVERSAL
76010-5202	50	23.15	1.96	LEFT
76010-5212	50	23.15	1.96	RIGHT
76010-5222	50	23.15	1.96	DUAL
76010-5302	68	30.35	1.96	LEFT
76010-5312	68	30.35	1.96	RIGHT
76010-5322	68	30.35	1.96	DUAL
76010-5232	50	23.15	1.96	UNIVERSAL
76010-5332	68	30.35	1.96	UNIVERSAL

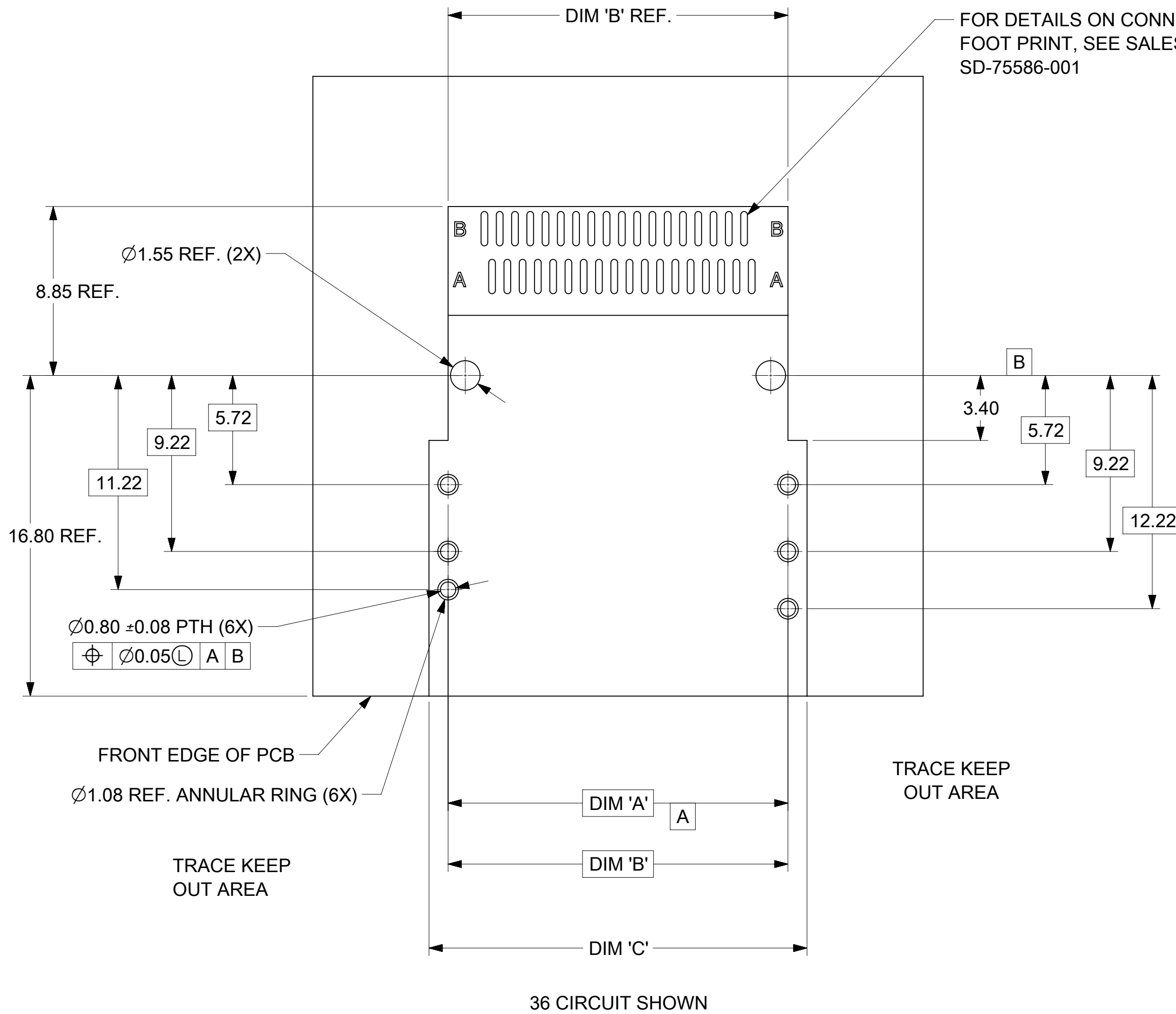
ITEM NUMBER	CIRCUIT SIZE	DIM 'A'	DIM 'B'	KEY
76010-5003	26	13.55	2.79	LEFT
76010-5013	26	13.55	2.79	RIGHT
76010-5023	26	13.55	2.79	DUAL
76010-5033	26	13.55	2.79	UNIVERSAL
76010-5004	26	13.55	3.18	LEFT
76010-5014	26	13.55	3.18	RIGHT
76010-5024	26	13.55	3.18	DUAL
76010-5034	26	13.55	3.18	UNIVERSAL
76010-5203	50	23.15	2.79	LEFT
76010-5213	50	23.15	2.79	RIGHT
76010-5223	50	23.15	2.79	DUAL
76010-5233	50	23.15	2.79	UNIVERSAL
76010-5204	50	23.15	3.18	LEFT
76010-5214	50	23.15	3.18	RIGHT
76010-5224	50	23.15	3.18	DUAL
76010-5234	50	23.15	3.18	UNIVERSAL
76010-5303	68	30.35	2.79	LEFT
76010-5313	68	30.35	2.79	RIGHT
76010-5323	68	30.35	2.79	DUAL
76010-5333	68	30.35	2.79	UNIVERSAL
76010-5304	68	30.35	3.18	LEFT
76010-5314	68	30.35	3.18	RIGHT
76010-5324	68	30.35	3.18	DUAL
76010-5334	68	30.35	3.18	UNIVERSAL

UNIVERSAL = NO KEY

iPass™ IS A TRADEMARK OF MOLEX

THIS DRAWING CONTAINS INFORMATION THAT IS PROPRIETARY TO MOLEX ELECTRONIC TECHNOLOGIES, LLC AND SHOULD NOT BE USED WITHOUT WRITTEN PERMISSION									
DIMENSION UNITS <b>MM</b>		SCALE <b>1:1</b>		CURRENT REV DESC:				<b>molex</b>	
GENERAL TOLERANCES (UNLESS SPECIFIED)				EC NO: 620216					
4 PLACES ±		MM		INCH		DRWN: AKUMAR19		2018/06/21	
3 PLACES ±		0.13		±		CHK'D: GGA		2019/07/09	
2 PLACES ±		0.13		±		APPR: GGA		2019/07/09	
1 PLACE ±		0.25		±		INITIAL REVISION:			
0 PLACES ±		±		±		DRWN: JLSWENSON		2006/02/16	
ANGULAR TOL ±		0.5 °		±		APPR: MBANAKIS		2006/02/16	
DRAFT WHERE APPLICABLE MUST REMAIN WITHIN DIMENSIONS				THIRD ANGLE PROJECTION		DRAWING		SERIES	
						C-SIZE		76010	
DOCUMENT NUMBER		DOC TYPE		DOC PART		REVISION			
SD-76010-001		PSD		001		D			
MATERIAL NUMBER		CUSTOMER		SHEET NUMBER					
SEE TABLE		GENERAL MARKET		4 OF 7					

# RIGHT ANGLE RETENTION FIT AND THROUGH HOLE SHELL PCB FOOT PRINT



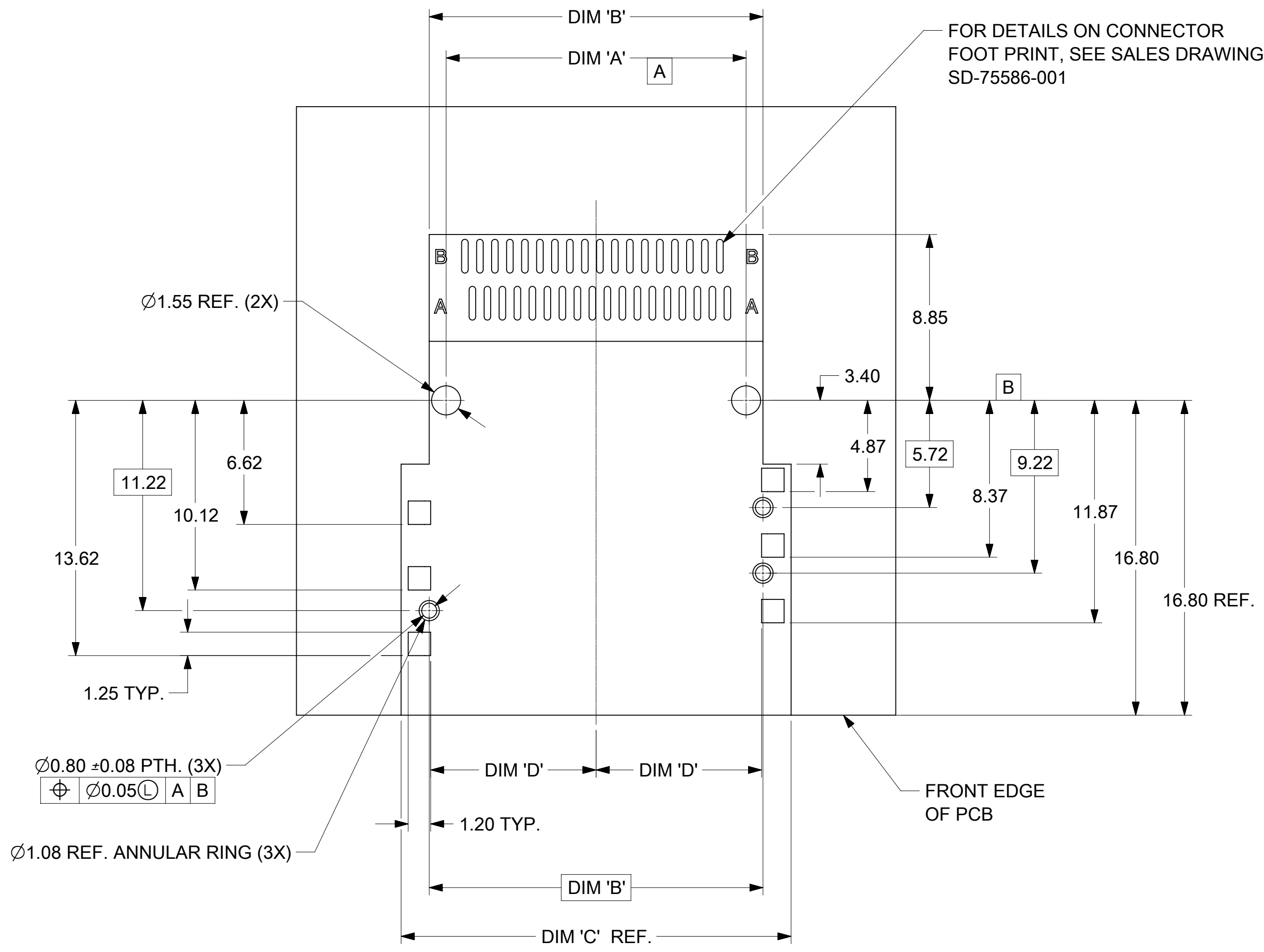
CIRCUIT SIZE	CONNECTOR PEG TO PEG		
	DIM 'A'	DIM 'B'	DIM 'C'
26	12.00	13.80	16.80
36	16.00	17.80	20.80
50	21.60	23.40	25.40
68	28.80	30.60	32.60

iPass™ IS A TRADEMARK OF MOLEX

THIS DRAWING CONTAINS INFORMATION THAT IS PROPRIETARY TO MOLEX ELECTRONIC TECHNOLOGIES, LLC AND SHOULD NOT BE USED WITHOUT WRITTEN PERMISSION									
DIMENSION UNITS <b>MM</b>		SCALE <b>5:1</b>		CURRENT REV DESC:				<b>molex</b>	
GENERAL TOLERANCES (UNLESS SPECIFIED)				EC NO: 620216					
4 PLACES	±	MM	INCH	DRWN: AKUMAR19		2018/06/21		I-PASS SHELL RIGHT ANGLE INTERNAL CABLE	
3 PLACES	±	0.13	±	CHK'D: GGA		2019/07/09			
2 PLACES	±	0.13	±	APPR: GGA		2019/07/09		PRODUCT CUSTOMER DRAWING	
1 PLACE	±	0.25	±	INITIAL REVISION:					
0 PLACES	±		±	DRWN: JLSWENSON		2006/02/16		DOCUMENT NUMBER	
ANGULAR TOL ± 0.5 °		THIRD ANGLE PROJECTION		APPR: MBANAKIS		2006/02/16		SD-76010-001	
DRAFT WHERE APPLICABLE MUST REMAIN WITHIN DIMENSIONS		DRAWING		SERIES		MATERIAL NUMBER		CUSTOMER	
		C-SIZE		76010		SEE TABLE		GENERAL MARKET	
								DOC TYPE DOC PART REVISION	
								PSD 001 D	
								SHEET NUMBER	
								5 OF 7	

DOCUMENT STATUS	P1	RELEASE DATE	2019/07/09	04:16:27
-----------------	----	--------------	------------	----------

# RIGHT ANGLE SMT SHELL PCB FOOT PRINT



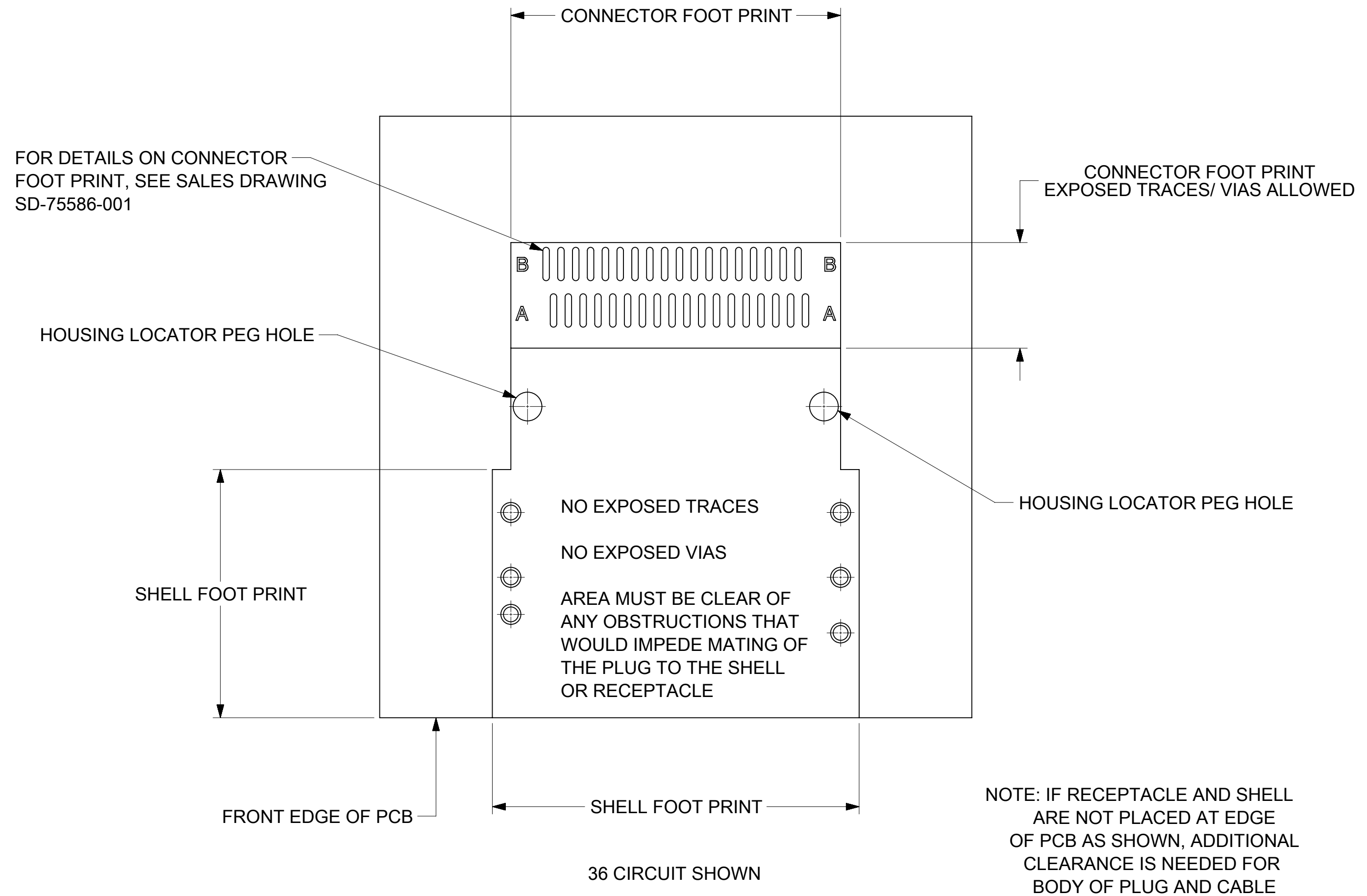
CIRCUIT SIZE	DIMENSIONS			
	CONNECTOR PEG TO PEG	SHELL PEG TO PEG	SHELL FOOT PRINT WIDTH	CENTERLINE TO PAD EDGE
	DIM 'A'	DIM 'B'	DIM 'C'	DIM 'D'
26	12.00	13.80	16.80	6.825
36	16.00	17.80	20.80	8.825
50	21.60	23.40	26.40	11.625
68	28.80	30.60	33.60	15.225

iPass™ IS A TRADEMARK OF MOLEX

THIS DRAWING CONTAINS INFORMATION THAT IS PROPRIETARY TO MOLEX ELECTRONIC TECHNOLOGIES, LLC AND SHOULD NOT BE USED WITHOUT WRITTEN PERMISSION									
DIMENSION UNITS <b>MM</b>		SCALE <b>5:1</b>		CURRENT REV DESC:				<b>molex</b>	
GENERAL TOLERANCES (UNLESS SPECIFIED)				EC NO: 620216					
				DRWN: AKUMAR19		2018/06/21		I-PASS SHELL RIGHT ANGLE INTERNAL CABLE	
				CHK'D: GGA		2019/07/09			
				APPR: GGA		2019/07/09		PRODUCT CUSTOMER DRAWING	
				INITIAL REVISION:					
				DRWN: JLSWENSON		2006/02/16		DOCUMENT NUMBER <b>SD-76010-001</b>	
				APPR: MBANAKIS		2006/02/16			
				ANGULAR TOL ± 0.5°				DOC TYPE <b>PSD</b>	
				THIRD ANGLE PROJECTION		DRAWING <b>C-SIZE</b>			
				DRAFT WHERE APPLICABLE MUST REMAIN WITHIN DIMENSIONS		SERIES <b>76010</b>		REVISION <b>D</b>	
						MATERIAL NUMBER SEE TABLE			
						CUSTOMER GENERAL MARKET			

36 CIRCUIT SHOWN

# RIGHT ANGLE SHELL PCB FOOT PRINT DESCRIPTIONS



iPass™ IS A TRADEMARK OF MOLEX

THIS DRAWING CONTAINS INFORMATION THAT IS PROPRIETARY TO MOLEX ELECTRONIC TECHNOLOGIES, LLC AND SHOULD NOT BE USED WITHOUT WRITTEN PERMISSION										
DIMENSION UNITS	SCALE		CURRENT REV DESC:					molex		
MM	5:1									
GENERAL TOLERANCES (UNLESS SPECIFIED)			EC NO: 620216 DRWN: AKUMAR19      2018/06/21 CHK'D: GGA            2019/07/09 APPR: GGA             2019/07/09 INITIAL REVISION: DRWN: JLSWENSON      2006/02/16 APPR: MBANAKIS        2006/02/16					I-PASS SHELL RIGHT ANGLE INTERNAL CABLE		
4 PLACES	±	±						PRODUCT CUSTOMER DRAWING		
3 PLACES	± 0.13	±						DOCUMENT NUMBER		
2 PLACES	± 0.13	±						SD-76010-001		
1 PLACE	± 0.25	±						DOC TYPE   DOC PART   REVISION		
0 PLACES	±	±						PSD   001   D		
ANGULAR TOL ± 0.5°			MATERIAL NUMBER		CUSTOMER		SHEET NUMBER			
DRAFT WHERE APPLICABLE MUST REMAIN WITHIN DIMENSIONS			SEE TABLE		GENERAL MARKET		7 OF 7			