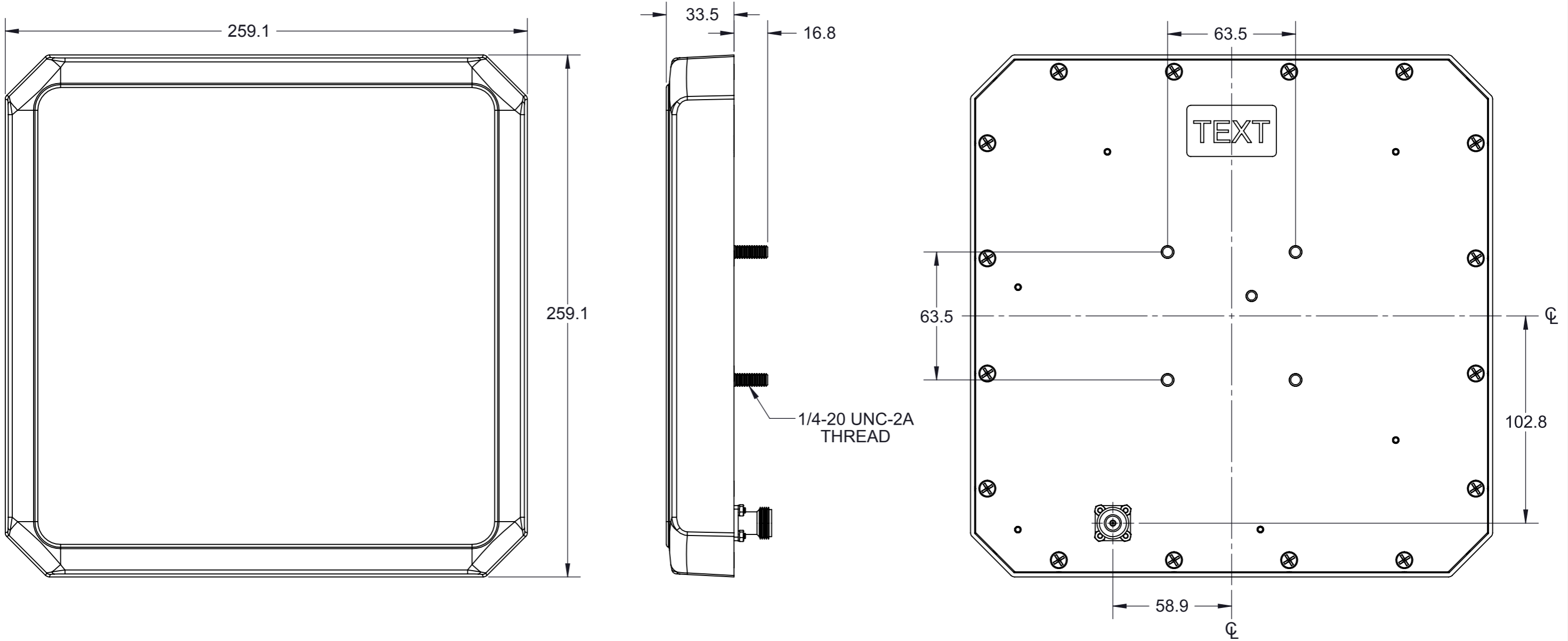



6 5 4 3 2 1

THIS DRAWING IS UNPUBLISHED. RELEASED FOR PUBLICATION
 © Copyright 2022 TE Connectivity Ltd. ALL RIGHTS RESERVED.

REVISIONS					
REV.	ECR#	ZONE	DESCRIPTION	CHANGED BY/DATE	APPROVED BY/DATE
AA			PRODUCTION RELEASE	S.J. 7/9/2012	S.J. 7/9/2012



Parameter	Performance
Antenna Part Number	PAR90209H-FNF
Frequency	902-928 MHz
Gain	9dBic
Polarization	Right Hand Circular
VSWR	1.3:1
Beamwidth (3dB)	70° x 70°
Front to Back Ratio	20 dB
Axial Ratio	1 dB Typical
RF Connector	Fixed Type N-female
Power	10 Watts
Weight	1.0 kg

MATERIAL: N/A		THIRD ANGLE PROJECTION				
FINISH: N/A		DO NOT SCALE DRAWING				
APPROVALS		DATE		TITLE:		
DRAWN BY	S. JOHNSON	2/3/12		PAR90209H-FNF		
PROJ. ENG.	T. PETROPOULOS	7/10/12				
APPL. MECH.	K. SEARL	7/10/12				
MFG.	B. THATCHER	7/10/12		INTERPRET DIMENSIONING AND TOLERANCING IN ACCORDANCE WITH ASME Y14.5M-2009 TOLERANCES UNLESS OTHERWISE SPECIFIED DIMENSIONS ARE IN MILLIMETERS		
		ANGLE: ±30' 0 PLACE DECIMAL: ±0.5 1 PLACE DECIMAL: ±0.25 2 PLACE DECIMAL: ±0.13 SURFACE ROUGHNESS 1.6/√		SIZE A3	DWG. NO. PAR90209H-FNFMO	REV AA
		SCALE: 1:2		PREVIOUS#		SHEET 1 OF 1

6 5 4 3 2 1