

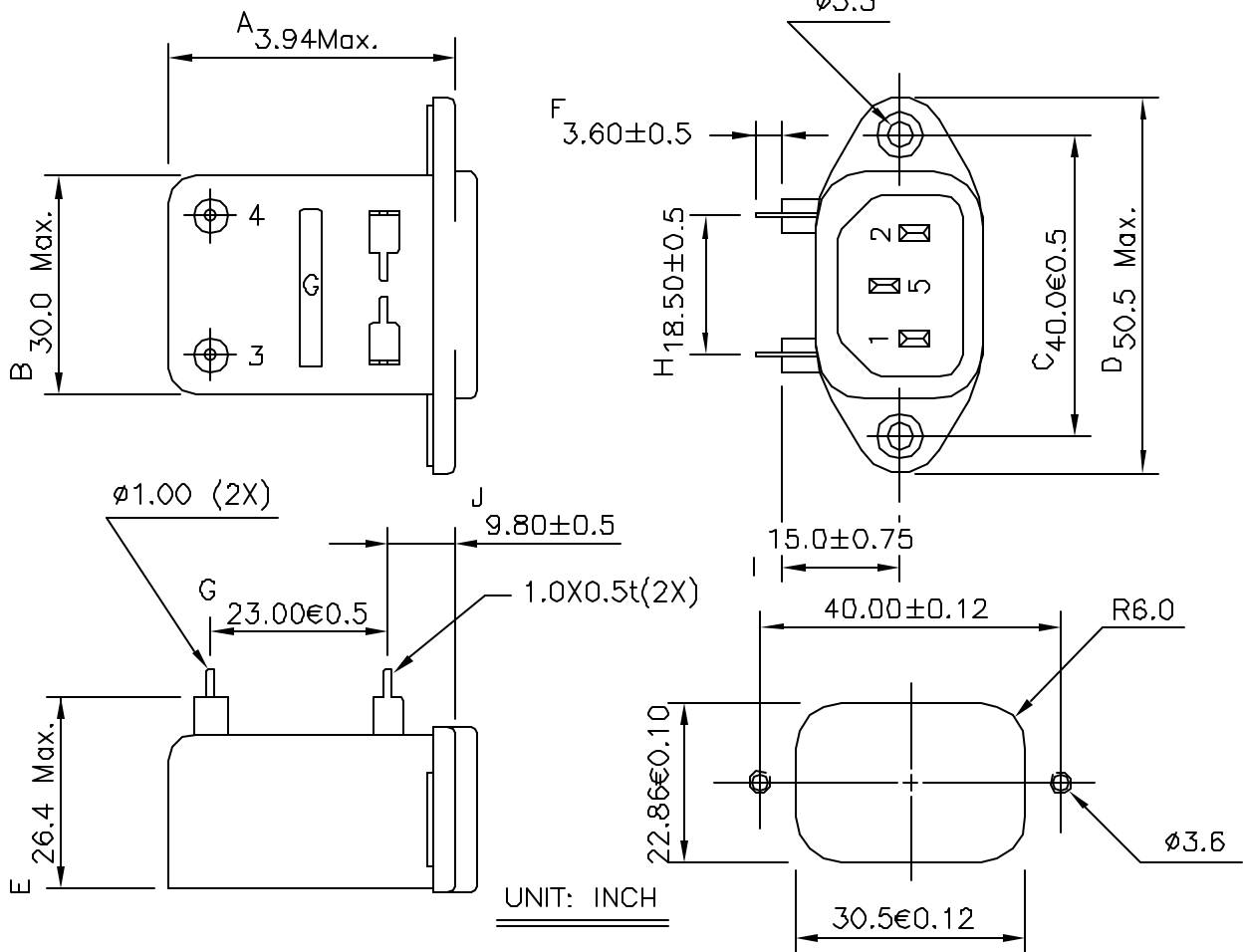
SPECIFICATION FOR APPROVAL



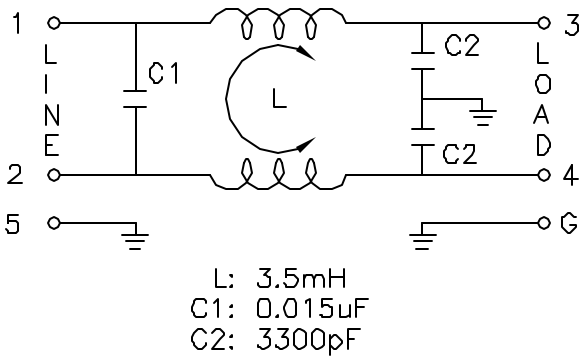
TO: _____

PART NO.		REV.		DELTA SAMPLE ISSUE NO	
PART NAME	EMI FILTER		DELTA MODEL	01ME1	
ORDER P/N.	01ME1		SAMPLE ISSUE DATE		

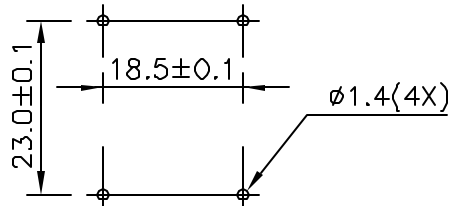
1. PHYSICAL DIMENSIONS:



2. SCHEMATIC:



SUGGESTED MOUNTING CUTOUT
(MOUNTING DIMENSIONS OF SOCKET)



MOUNTING DIMENSIONS OF PC BOARD

REPORT BY	CHECKED BY	APPROVED BY	UNLESS OTHERWISE SPECIFIED DIMENSION TOLERANCE DECIMALS .X± .XX± ANGLES±		
			REV.	00.09.08	

DELTA ELECTRONICS, INC.

9TH FL ASIA ENTERPRISE CENTER 144, SEC. 3 MIN.CHUAN E. ROAD
TAIPEI 10464, TAIWAN. R.O.C.

TELEX 26524 "DELTATRO"
CABLE ADDRESS: "DELTATRO" TAIPEI
TEL: (02) 7164822, 7167790
"DELTATRO" TAIPEI

SPECIFICATION FOR APPROVAL



TO: _____

PART NO.		REV.		DELTA SAMPLE ISSUE NO	
PART NAME	EMI FILTER		DELTA MODEL	01ME1	
ORDER P/N.	01ME1		SAMPLE ISSUE DATE		

1. ELECTRICAL CHARACTERISTICS:

- 1-1. VOLTAGE RATING 115/250VAC
- 1-2. CURRENT RATING
 - A. AT 115VAC 1 A RMS Max.
 - B. AT 250VAC 1 A RMS Max.
- 1-3. OPERATING FREQUENCY..... 50/60 Hz
- 1-4. LEAKAGE CURRENT: EACH LINE TO GROUND
 - A. @115VAC 60Hz 0.25 mA Max.
 - B. @250VAC 50Hz 0.45 mA Max.
- 1-5. HIPOT RATING (FOR ONE MINUTE)
 - A. LINE TO GROUND 2250VDC
 - B. LINE TO LINE 1450VDC
- 1-6. TEMPERATURE RANGE: -25 TO +85 DEGREE C
- 1-7. MINIMUM INSERTION LOSS IN dB: (AT 50 OHM SYSTEM)

FREQ. MHz	.01	.05	.10	.15	.50	1.0	5.0	10	30
COM. MODE dB	/	/	/	25	35	40	50	52	50
DIF. MODE dB	/	/	/	/	1	8	40	45	38

1-8. SAFETY



REV.		
	1. 00.09.08	

DELTA ELECTRONICS, INC.

9TH FL ASIA ENTERPRISE CENTER 144, SEC. 3 MIN.CHUAN E. ROAD
TAIPEI 10464, TAIWAN. R.O.C.

TELEX 26524 "DELTATRO"
CABLE ADDRESS: "DELTATRO" TAIPEI
TEL:(02)7164822, 7167790
"DELTATRO" TAIPEI