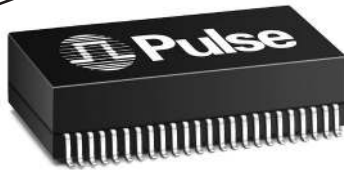


T1/CEPT/ISDN-PRI Transformer

Quad Port SMT Transformer Module with Line Side Protection



- Four transmit transformers, four receive transformers and line side protection circuit in a surface mount package
- Matched to Level One's LXT384LE/BE Octal T1/E1 Transceiver
- Extended temperature range
- Patented "Interlock Base" construction for high reliability
- IC grade transfer-molded package withstands 235°C IR reflow temperature
- Minimum Isolation voltage: 1500 Vrms
- UL 1950 recognized

Electrical Specifications @ 25°C – Operating Temperature -40°C to +85°C

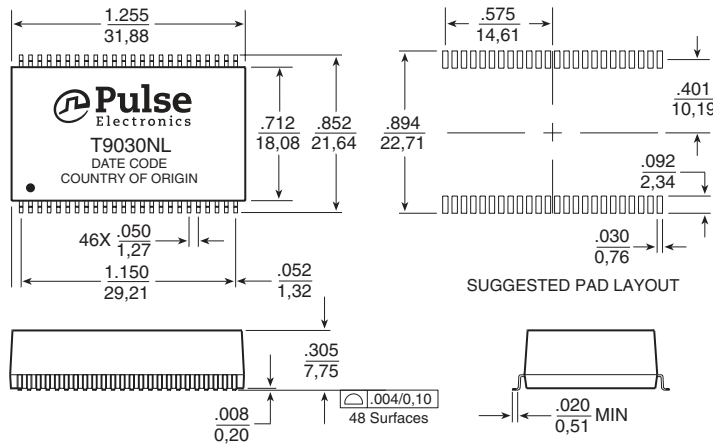
Part Number	Turns Ratio ¹ Pri:Sec (±2%)		OCL Line Side (mH MIN)	Cw/W (pF MAX)	Ll (µH MAX)	Package/ Schematic	Primary Pins	
	Transmit	Receive					Transmit	Receive
T9030NL	1CT:2	1CT:1	1.2	35 & 35	.50 & .80	BRT	4-6, 10-12, 16-18, 22-24	48-46, 42-40, 36-34, 30-28

¹For receive channel, to make a 1:2 ratio from a 1CT:1, use only one-half of the primary (1CT) winding.

NOTE: For extended temperature range transformers, OCL (Open Circuit Inductance for the primary winding) is specified at both -40°C and +25°C. At -40°C, OCL is 600 µH minimum. All other parameters are specified at +25°C.

Mechanicals

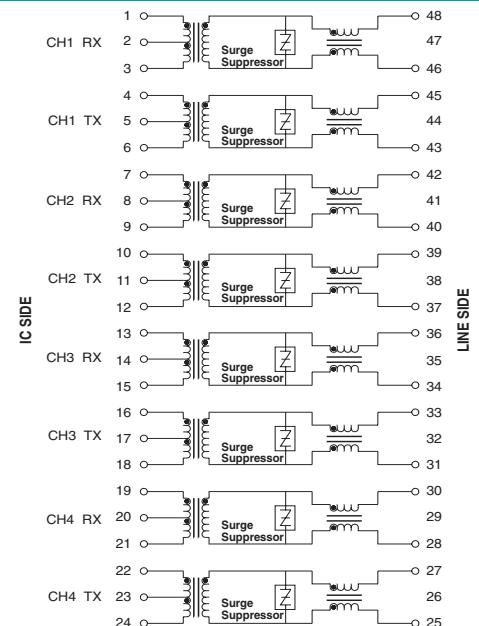
BRT



Weight 9.2 grams
Tape & Reel 150/reel
Tube 15/tube

Dimensions: Inches
mm
Unless otherwise specified, all tolerances are ± .010
0,25

Schematics



For More Information

Pulse Worldwide Headquarters
12220 World Trade Drive
San Diego, CA 92128
U.S.A.

Pulse Europe
Einsteinstrasse 1
D-71083 Herrenberg
Germany

Pulse China Headquarters
B402, Shenzhen Academy of
Aerospace Technology Bldg.
10th Kejian Road
High-Tech Zone
Nanshan District
Shenzhen, PR China 518057
Tel: 86 755 33966678
Fax: 86 755 33966700

Pulse North China
Room 2704/2705
Super Ocean Finance Ctr.
2067 Yan An Road West
Shanghai 200336
China
Tel: 86 21 62787060
Fax: 86 2162786973

Pulse South Asia
135 Joo Seng Road
#03-02
PM Industrial Bldg.
Singapore 368363

Pulse North Asia
3F, No. 198
Zhongyuan Road
Zhongli City
Taoyuan County 320
Taiwan R. O. C.
Tel: 886 3 4356768
Fax: 886 3 4356823 (Pulse)
Fax: 886 3 4356820 (FRE)

TEL: 858 674 8100
FAX: 858 674 8262

Tel: 49 7032 7806 0
Fax: 49 7032 7806 135

Tel: 65 6287 8998
Fax: 65 6287 8998

Performance warranty of products offered on this data sheet is limited to the parameters specified. Data is subject to change without notice. Other brand and product names mentioned herein may be trademarks or registered trademarks of their respective owners. © Copyright, 2011. Pulse Electronics, Inc. All rights reserved.