

CABLE 235 RF: RF CABLE ASSEMBLY, IPEX MHF + TNC STRAIGHT BULKHEAD JACK W/O-RING RATED TO IP67/68, MULTIPLE CABLES

SPECIFICATIONS:

1. I-PEX MHF PLUG, P/N: FOR RG178 CABLE: 20278-112R-18, FOR  $\phi$ 1.37MM CABLE: 20351-112R-37.
2. SEE CABLE SIZE OPTIONS.
3. TNC STRAIGHT BULKHEAD JACK WITH O-RING RATED TO IP67/68, P/N: RFCT-TNC006-F78.

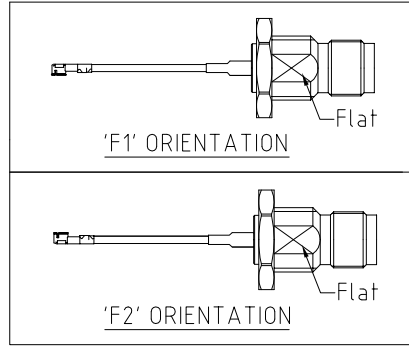
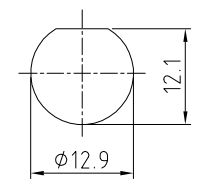
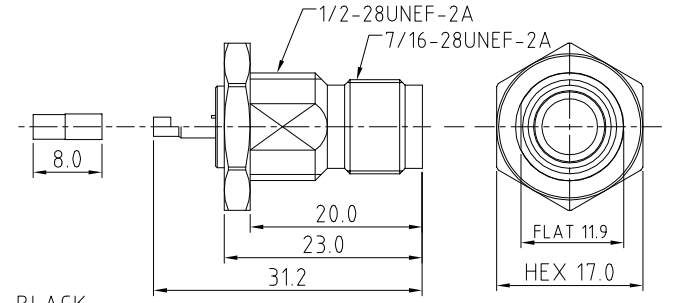
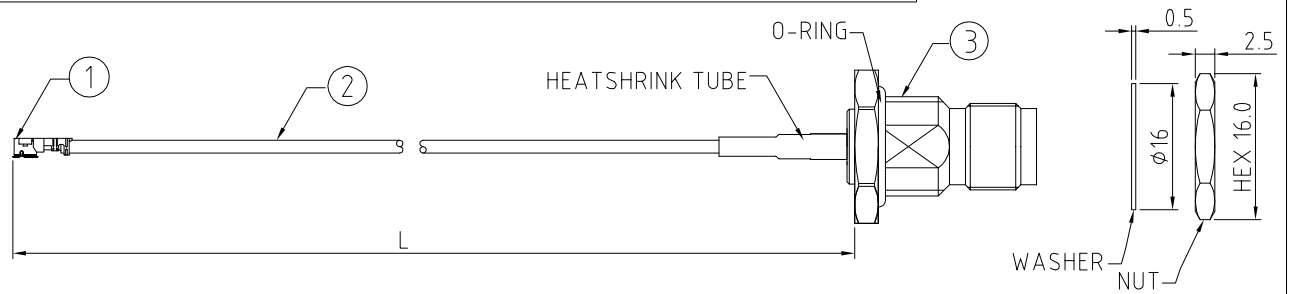
**USAGE PRECAUTIONS: CABLES USING 'MICRO' COAX ARE DELICATE:**  
 (i) HANDLE WITH CARE.  
 (ii) DO NOT TWIST; APPLY EXCESSIVE FORCES OR SHARP BENDS TO THE CABLE. DO NOT FORCEFULLY DEFORM WIRES.  
 (iii) CONSULT CONNECTOR MANUFACTURER'S DATASHEETS FOR DETAILED NOTES ON HANDLING INSTRUCTIONS.

ENVIRONMENTAL:

- A. BULKHEAD MOUNTED CONNECTOR (RFCT-TNC006-F78) RATED TO THE FOLLOWING SPECIFICATION:
- IP6X - DUST TIGHT - NO PARTICLE INGRESS.
  - IPX7 WATERPROOF FOR 30 MINUTES UP TO 1 METER UNDERWATER.
  - IPX8 WATERPROOF FOR 48 HOURS AT 1 METER UNDERWATER.

NOTES:

1. THE ORIENTATION OF CONNECTORS ON DRAWING IS FOR REFERENCE ONLY, IF THE ORDER IS LEFT BLANK THE CONNECTOR WILL NOT HAVE FIXED ORIENTATION.
2. FIXED ORIENTATION IS SUGGESTED FOR CABLE LENGTH 25MM TO 100MM. PLEASE SPECIFY THE FIXED ORIENTATIONS FROM THE ORDER CODE (F1, F2, ETC)
3. CONTACT GRAD CONN IF THE ORIENTATION YOU REQUIRE IS NOT SHOWN.
4. WORKING FREQUENCY RANGE: DC-3GHz
5. OPERATING TEMPERATURE: -40°C~+90°C



**HOW TO ORDER**  
 CABLE 235 RF - XXX - XX - X - X

"L" LENGTH IN MM  
 eg: 100MM = 100  
 (MIN. 025-MAX.400)  
 STANDARD = 100, 150, 200  
 Tolerance: <50mm :  $\pm$ 2mm.  
 51-200mm:  $\pm$ 5mm.  
 201-400mm:  $\pm$ 7mm.

**CABLE SIZE OPTIONS:**  
 1 =  $\phi$ 1.37MM CABLE, COLOR: BLACK  
 2 = RG178 CABLE, COLOR: BROWN

**WASHER AND NUT OPTIONS:**  
 BLANK = SEPARATELY PACKED (STANDARD)  
 A = ASSEMBLED WITH CONNECTOR

**ORIENTATION OPTIONS:**  
 BLANK = DOES NOT HAVE A FIXED ORIENTATION  
 F1 = MHF CONNECTION DOWN (L=25-200MM)  
 F2 = MHF CONNECTION UP (L=25-200MM)  
 (SEE NOTES 1, 2, 3 AND DIAGRAMS FOR MORE INFORMATION)

RECOMMENDED TNC MOUNTING HOLE  
 (TOLERANCE:  $\pm$ 0.1)

REV. DATE & DRN  
 1.0 30/05/16 - NYW RELEASE  
 1.1 23/08/16 - RHJ ADDED CABLE OPTION (RG178 - BROWN)  
 1.2 24/04/17 - NYW AMEND ORDERING GRIDS.  
 1.3 24/05/19 - NYW ADD OPERATING TEMP.

Scale: NTS	THIRD ANGLE	Unstated X XX XXX ANGLES	Tolerances: N/A N/A N/A N/A
Drawn: NYW			
App'd: XXX	Title: CABLE ASSEMBLY		
Date: 24 MAY '19	Revision: 1.3	Unit: mm	

IP67/68 Rated Cables www.gradconn.com

© THIS DRAWING IS CONFIDENTIAL AND MUST NOT BE COPIED OR DISCLOSED WITHOUT WRITTEN CONSENT

Type: Cable 235 RF
CABLE 235 RF
Drawing Number:
Sheet 1 of 1
Drawing © E and O E