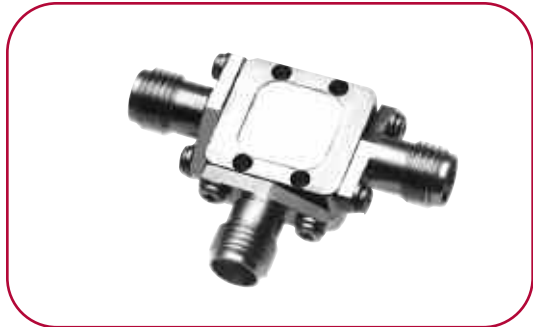


26 TO 40 GHz DOUBLE-BALANCED MIXER

MODEL: M2640W1

FEATURES

- RF/LO coverage 26 to 40 GHz
- IF operation DC to 12 GHz
- Input IP³ +18 dBm
- LO power range +10 to +15 dBm
- Packaging Hermetically sealed



ELECTRICAL SPECIFICATIONS

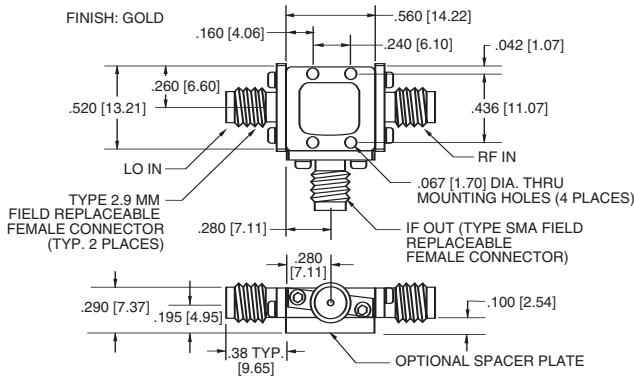
INPUT PARAMETERS	CONDITION	UNITS	MIN.	TYP.	MAX.
RF frequency range		GHz	26		40
RF VSWR (LO = +13 dBm, RF = -10 dBm)		Ratio		2.75:1	
LO frequency range		GHz	26		40
LO power range		dBm	+10	+13	+15
LO VSWR (LO = +13 dBm)		Ratio		2.75:1	
TRANSFER CHARACTERISTICS	CONDITION	UNITS	MIN.	TYP.	MAX.
Conversion loss (IF = 1 GHz)	LO = +13 dBm	dB		10	12
Single-sideband noise figure at 25°C		dB		10.5	
LO-to-RF isolation		dB	28	35	
LO-to-IF isolation		dB		30	
RF-to-IF isolation		dB		25	
Input power at 1 dB compression point	LO = +13 dBm	dBm		+10	
Input two-tone third-order intercept point	LO = +13 dBm	dBm		+18	
OUTPUT PARAMETERS	CONDITION	UNITS	MIN.	TYP.	MAX.
IF frequency range at -3 dB bandwidth	LO = +13 dBm	GHz	DC		12
IF VSWR	LO = +13 dBm	Ratio		3:1	

NOTE: Test data supplied at 25°C; conversion loss and LO-to-RF isolation.

MAXIMUM RATINGS

Specification temperature +25°C
 Operating temperature -54 to +85°C
 Storage temperature -65 to +125°C

OUTLINE DRAWING



NOTE: All dimensions shown in brackets [] are in millimeters.

TYPICAL SINGLE-TONE (m) RF x (n) LO RELATIVE SPUR LEVEL (dBc) TO REF (RF = -10 dBm, LO = +13 dBm)

RF HARMONIC (m)	LO HARMONIC (n)			
	1	2	3	4
4			72	74
3		71	69	70
2	68	56	66	
1	REF	40		

