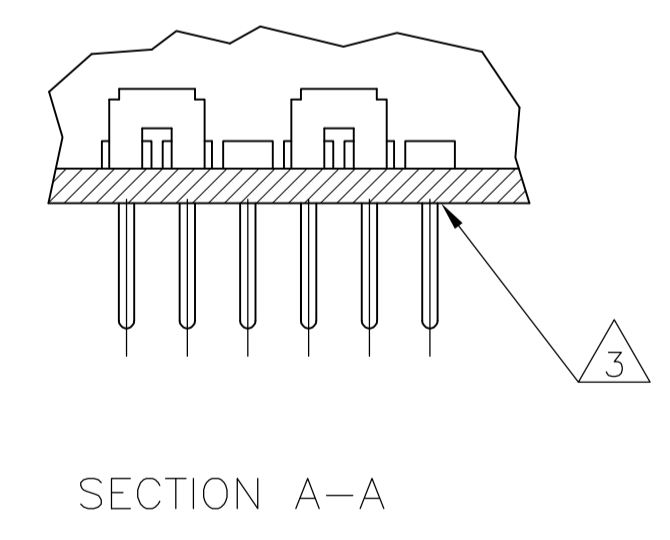


RECOMMENDED BOARD LAYOUT



SPECIFICATIONS
 MAKE-BEFORE-BREAK

MATERIALS:
 ACTUATOR- POM, UL94HB BLACK
 TERMINAL BOARD- PHENOLIC LAMINATED SHEET, UL94HB, NATURAL
 FRAME- STEEL, NICKEL PLATE
 TERMINAL/FIXED CONTACT- COPPER ALLOY, GOLD OR SILVER OVER NICKEL PLATE
 MOVING CONTACT- COPPER ALLOY, GOLD OR SILVER OVER NICKEL PLATE
 DETENT BALL- STEEL
 COIL SPRING- GALVANIZED SPRING WIRE
 SEAL- EPOXY

ELECTRICAL:
 CONTACT RATING- .4VA@20VDC OR PEAK AC (GOLD); 300mA@125V AC (SILVER)
 INITIAL CONTACT RESISTANCE- 30 milliohm max.
 FINAL CONTACT RESISTANCE- 100 milliohm max. (AFTER TEST)
 INSULATION RESISTANCE- 1,000 Megohms min.
 DIELECTRIC STRENGTH- 500V RMS@SEA LEVEL
 LIFE EXPECTANCY- 15,000 CYCLES MIN.

MECHANICAL:
 ACTUATION FORCE- 600+/-300 GRAMS
 TRAVEL- 2.0 +/- .50 (.079 +/- .020)

ENVIRONMENTAL:
 OPERATING TEMPERATURE- -20 TO +85 DEGREES C
 STORAGE TEMPERATURE- -40 TO +100 DEGREES C
 RESISTANCE TO SOLDER HEAT PER 109-202, CONDITION B
 SOLDERABILITY PER EIA-364-52, CLASS 2, CATEGORY 1, 95% MIN COVERAGE

NOTES:

- COUNTRY OF ORIGIN AND TE LOGO LOCATED APPROXIMATELY AS SHOWN
- ALL MATERIALS AND FINISHES SHALL COMPLY WITH EU DIRECTIVE 2002/95/EC OF 27JAN2003 (ROHS)
- ANTI SOLDER WICK SEAL AT TERMINAL TO BOARD INTERFACE
- ALL PERFORMANCE TESTING WAS DONE IN ACCORDANCE TO TYCO SPECIFICATION 102-2469

| | | | | |
|-------------|--------------|---------|------------------|------------------|
| 1825261-2 | MSS2200G04 | GOLD | 2 TO 1 5 TO 4 | 2 TO 3 5 TO 6 |
| 1825261-1 | MSS220004 | SILVER | 2 TO 1 5 TO 4 | 2 TO 3 5 TO 6 |
| TE PART NO. | T&B PART NO. | PLATING | | |

THIS DRAWING IS A CONTROLLED DOCUMENT.

| | | | | | |
|----------------|--|-----------------------|-----------------------|---|---|
| DIMENSIONS: mm | TOLERANCES UNLESS OTHERWISE SPECIFIED: | DIN R BROWN 21DEC05 | APVD M SARVER 21DEC05 | NAME | Tyco Electronics Corporation Harrisburg, Pa 17105-3608 |
| | 0 PLC ± - 1 PLC ± 0.3 [.012] 2 PLC ± - 3 PLC ± - 4 PLC ± - ANGLES ± - | APVD M SARVER 21DEC05 | PRODUCT SPEC | SLIDE SWITCH, MSS 2200 SERIES, VERTICAL | RESTRICTED TO |
| MATERIAL | FINISH | WEIGHT | SIZE | CAGE CODE | DRAWING NO |
| - | - | - | A1 | 00779 | 1825261 |

CUSTOMER DRAWING SCALE 4:1 SHEET 1 OF 1 REV A1