

**MATERIALS & SPECIFICATIONS**

PART NO.	A24002-010	REV	ECO	DATE	APP
		B	104050	12-11-17	TLM

**INSULATOR:**  
 POLYPHENYLENE SULFIDE (PPS)  
 PER MIL-M-24519, TYPE GST  
 40F.

**CONTACT:**  
 BERYLLIUM COPPER PER ASTM  
 B194, C17200. GOLD PLATED  
 PER ASTM B488, (HARD GOLD)  
 TYPE II CODE C CLASS 1.27.

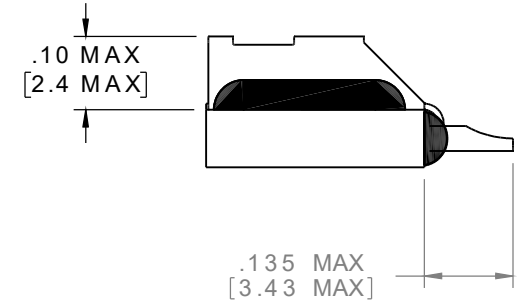
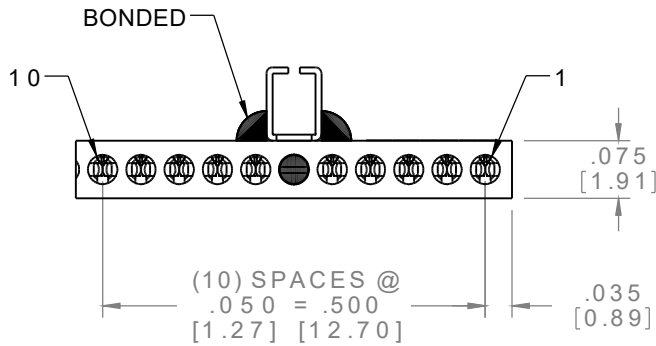
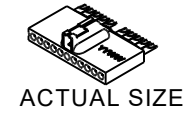
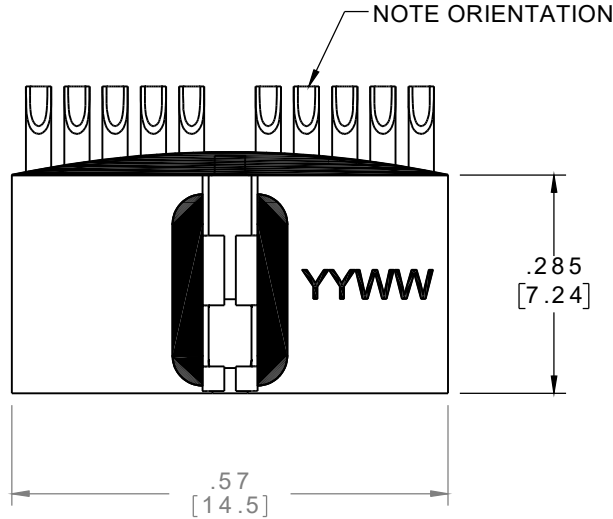
**TERMINATION:**  
 SOLDER PLATED PER AMS-P-  
 81728.

**LATCH BOX:**  
 BERYLLIUM COPPER PER ASTM  
 B194 NICKEL PLATE PER SAE-  
 AMS-2404

**CURRENT CAPACITY:**  
 3 AMP MAX.

**CONTACT RESISTANCE:**  
 26 MILLIOHMS (65mV) MAX @  
 2.5 AMPS.

**PERFORMANCE:**  
 PRODUCT FAMILY TESTED TO AND  
 PASSED THE PERFORMANCE  
 SPECIFICATIONS OF TABLE VII OF  
 MIL-DTL-83513.



**NOTE:**

DIMENSIONS IN [ ] ARE IN  
 MILLIMETERS UNLESS  
 OTHERWISE NOTED AND ARE  
 FOR REFERENCE ONLY

PS1 SLDW	THIRD ANGLE
	-TOLERANCES-
	UNLESS OTHERWISE NOTED
	DIMENSIONS IN INCHES
2	PL DEC ± .01
3	PL DEC ± .005
4	PL DEC ± .0005
	ANGLES ± 1°

THIS DRAWING CONTAINS CONFIDENTIAL AND PROPRIETARY INFORMATION WHICH IS THE PROPERTY OF OMNETICS CONNECTOR CORP. THIS DOCUMENT MAY NOT, IN WHOLE OR IN PART, BE DUPLICATED, OR DISCLOSED FOR ANY PURPOSE, WITHOUT WRITTEN PERMISSION FROM OMNETICS CONNECTOR CORP.	
DFTM. MJM	DATE 03-29-13
CHK'D.	DATE
APP'D.	DATE
TITLE: (10) PIN MALE SINGLE ROW CONNECTOR W/LATCH	

**OMNETICS**  
 CONNECTOR CORPORATION  
 7260 COMMERCE CIRCLE EAST  
 MINNEAPOLIS, MN 55432  
 WWW.OMNETICS.COM

CAGE CODE 61873
DWG NO. A24002-010
SHEET 1 OF 1
SCALE: 4:1
REV B