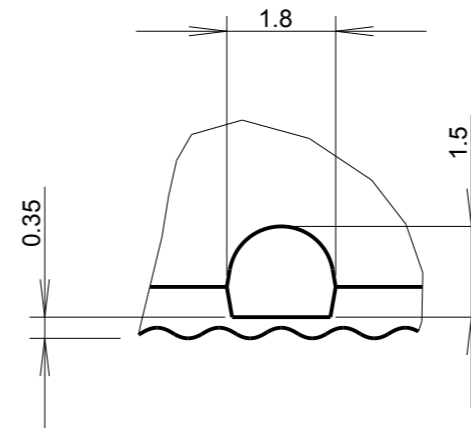
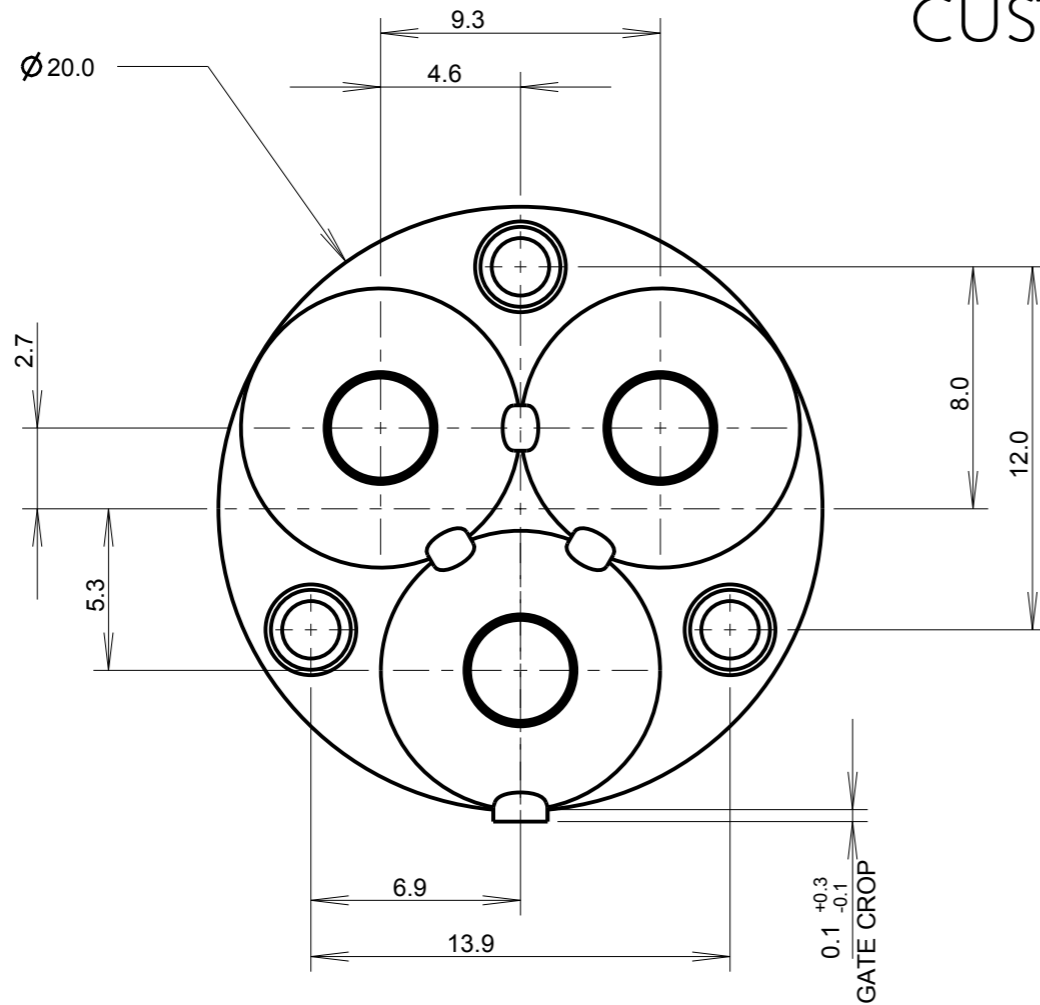
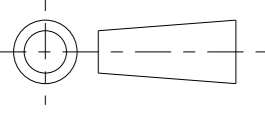
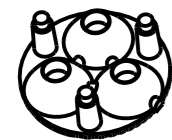
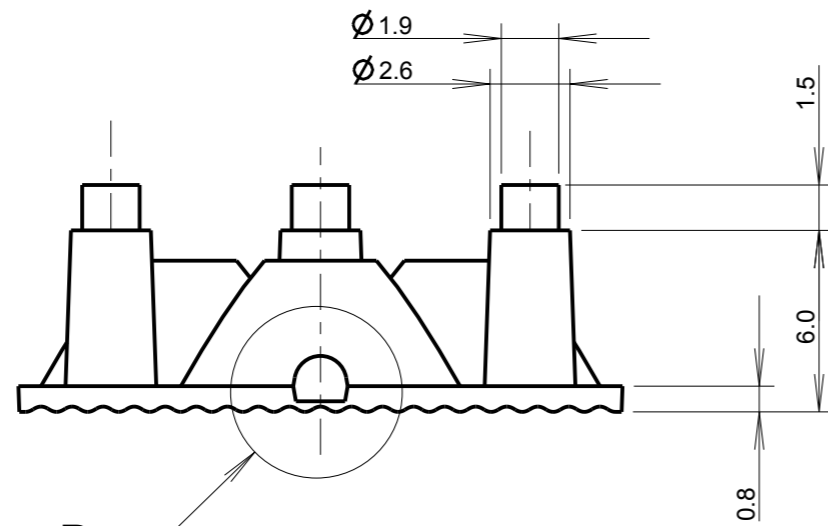


CUSTOMER DRAWING

©2011 CTP-COIL
ALL DIMENSIONS IN mm



DETAIL B
SCALE 8:1



SCALE 1:1

MATERIAL - UV STABILISED CLEAR POLYCARBONATE

ISS.	DATE	E.C.N.	DESCRIPTION
1	22-Oct-08		FIRST ISSUE
2	12-Nov-08	10/08/1233	LEG PIN LENGTH REDUCED TO 15MM
2A	10-Aug-11	08/11/1306	Gate tolerance updated



CARCLO TECHNICAL PLASTICS (SLOUGH)
103 BUCKINGHAM AVE, SLOUGH
SL1 4PF, ENGLAND
TEL: +44 1753 575011 FAX: +44 1753 811359
email: design@carclo-optics.com

GENERAL TOLERANCES (UNLESS STATED)

LINEAR	ANGULAR
X +/- 0.25	X +/- 1°
X.X +/- 0.1	X.X +/- 0.5°
X.XX +/- 0.05	X.XX +/- 0.1°

CUSTOMER

CARCLO

TITLE

10mm TRIPLE OPTIC
ELLIPTICAL

DRAWN

AJD

DATE

22-Oct-08

CHK'D

PW

DATE

10-Aug-11

APP'D

BB

DATE

10-Aug-11

SCALE

4:1

CARCLO PART No.

10510

SIZE

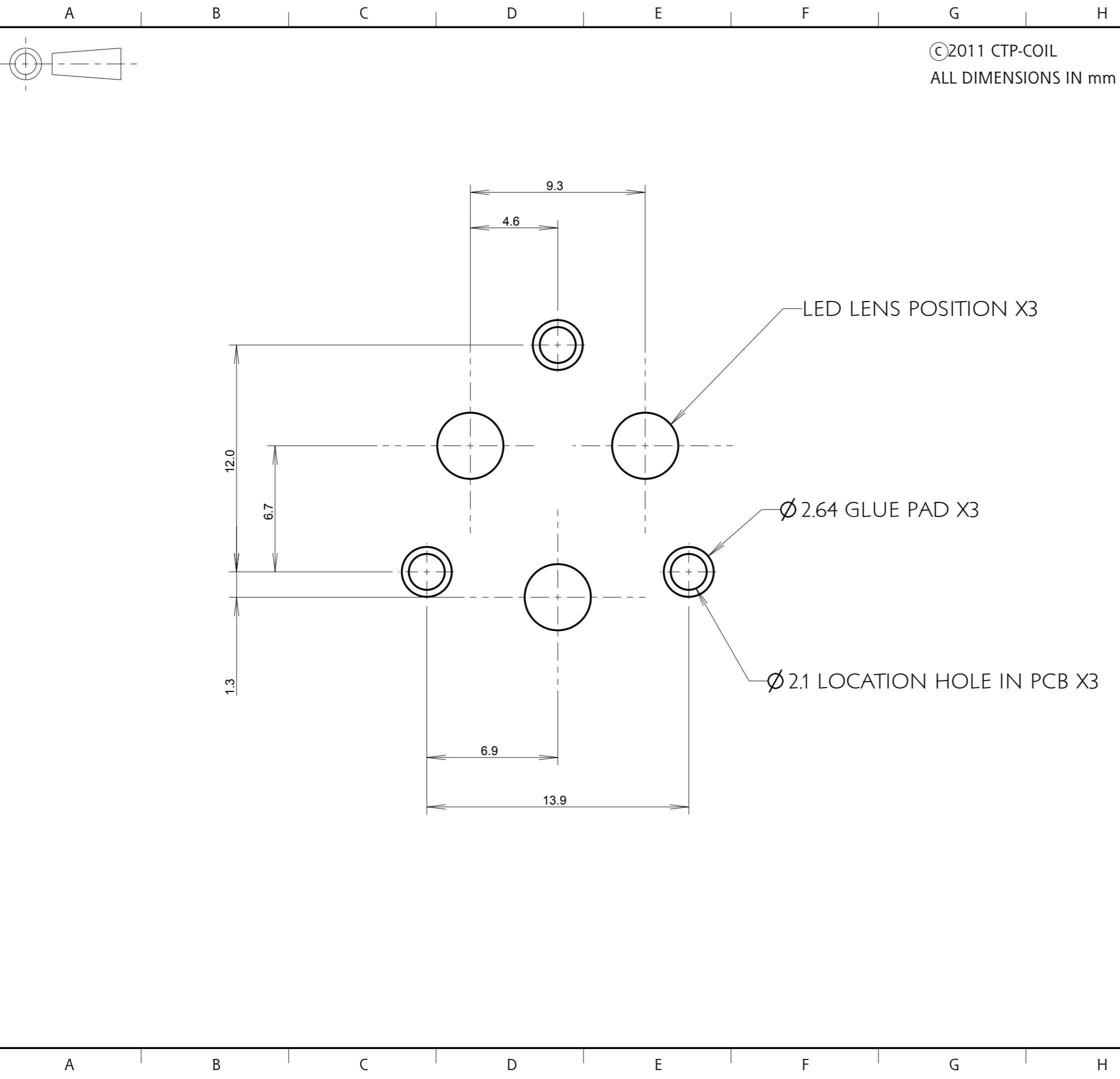
A3

CARCLO DRG. No.

60525

SHEET

2 OF 3



©2011 CTP-COIL
ALL DIMENSIONS IN mm

ISS.	DATE	E.C.N.	DESCRIPTION
1	22-Oct-08		FIRST ISSUE
2	12-Nov-08	10/08/1233	LEG PIN LENGTH REDUCED TO 15MM
2A	10-Aug-11	08/11/1306	Gate tolerance updated

carclo
technical plastics
CARCLO TECHNICAL PLASTICS (SLOUGH)
103 BUCKINGHAM AVE, SLOUGH
SL1 4PF, ENGLAND
TEL: +44 1753 575011 FAX: +44 1753 811359
email: design@carclo-optics.com

GENERAL TOLERANCES (UNLESS STATED)

LINEAR		ANGULAR	
X	+/- 0.25	X	+/- 1°
X.X	+/- 0.1	X.X	+/- 0.5°
X.XX	+/- 0.05	X.XX	+/- 0.1°

CUSTOMER
CARCLO

TITLE
10mm TRIPLE OPTIC ELLIPTICAL

DRAWN **AJD** DATE **22-Oct-08**

CHK'D **PW** DATE **10-Aug-11**

APP'D **BB** DATE **10-Aug-11**

SCALE **5:1** CARCLO PART No. **10510**

SIZE **A3** CARCLO DRG. No. **60525** SHEET **3 OF 3**