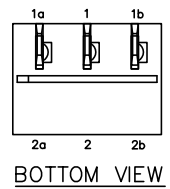
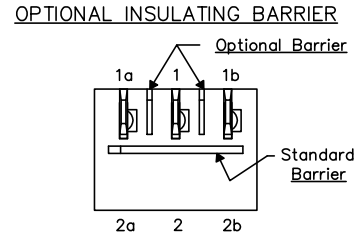
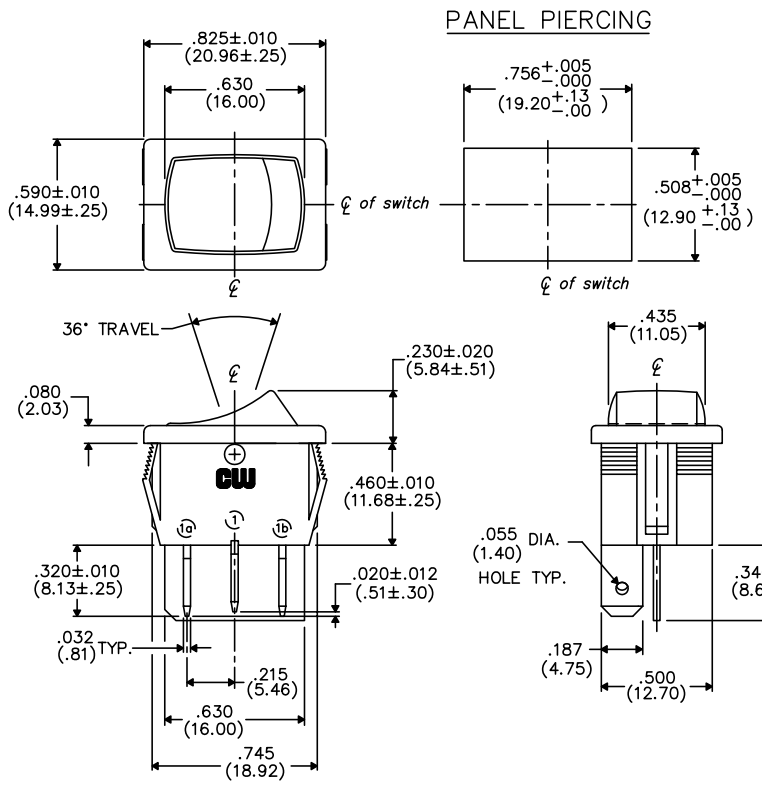


THIS INFORMATION IS CONFIDENTIAL AND PROPRIETARY TO CW INDUSTRIES INCORPORATED AND ITS AFFILIATES. IT MAY NOT BE DISCLOSED TO ANYONE, OTHER THAN CW INDUSTRIES PERSONNEL, WITHOUT WRITTEN AUTHORIZATION FROM CW INDUSTRIES INCORPORATED, SOUTHAMPTON, PENNSYLVANIA USA.

DIMENSIONS IN INCHES (MILLIMETERS)
DO NOT SCALE DRAWING

Dwg. No.
GRS-4012-XXXX

E
D
C
B
A

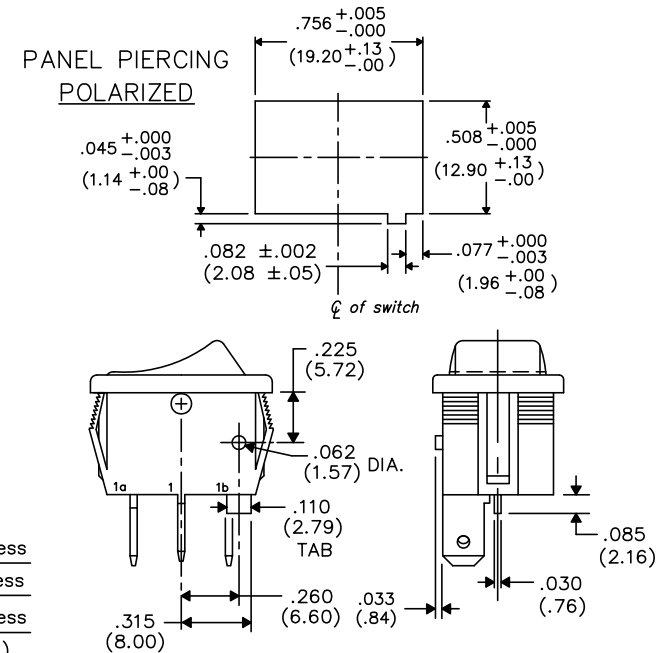


TERMINAL OPTIONS:

- $.187$ " (4.75mm) x $.032$ " (.81mm) Solderless
- $.110$ " (2.79mm) x $.032$ " (.81mm) Solderless
- $.187$ " (4.75mm) x $.020$ " (.51mm) Solderless
- $.110$ " (2.79mm) wide with $.048$ " (1.22mm) x $.237$ " (6.02mm) Slot for Soldering

MOUNTING PANEL THICKNESS

Standard—.050" (1.27mm) to .150" (3.81mm).
Optional Mounting Claws for Custom Panel thickness are available.



B-FORMAT 2002

REVISIONS

1 2 3 4 5 6 7 8 9 10

PDF FILE MADE	CW INDUSTRIES Southampton, Pa. 18966		Title: ROCKER SWITCH ASSEMBLY S.P./D.T.
	TOLERANCES UNLESS OTHERWISE SPECIFIED.		
	2 Place Decimal $\pm .010$	METRIC	Division: SWITCH
	3 Place Decimal $\pm .005$	1 Place Dec. $\pm .25$ mm	
	Angles $\pm 1^\circ$	2 Place Dec. $\pm .13$ mm	Dwg. No. GRS-4012-XXXX
Made for: CW IND.	Drawn by: DGW 10-28-2010	Approval:	