

170823-1 ✓ ACTIVE

FASTON | FASTON 110

TE Internal #: 170823-1

Crimp Terminal Housings, Receptacle, Receptacle, 1 Position,
Straight, UL 94V-2, Natural, Soft PVC, -40 – 105 °C [-40 – 221 °F],
FASTON 110

[View on TE.com >](#)



Terminals & Splices > Terminal Housings, Insulation Sleeves & Blocks > Crimp Terminal Housings



Terminal Type: **Receptacle**

Connector & Housing Type: **Receptacle**

Number of Positions: **1**

Terminal Orientation: **Straight**

UL Flammability Rating: **UL 94V-2**

Features

Product Type Features

Sealable	No
Connector & Housing Type	Receptacle

Configuration Features

Number of Positions	1
---------------------	---

Body Features

Primary Product Color	Natural
-----------------------	---------

Contact Features

Terminal Type	Receptacle
Terminal Orientation	Straight
Contact Mating Retention	Without

Mechanical Attachment

Mating Alignment	Without
------------------	---------

Housing Features

--	--



Housing Material	Soft PVC
------------------	----------

Dimensions

Product Length	21 mm[.827 in]
Compatible Insulation Diameter Range	1.8 mm[.071 in]

Usage Conditions

Operating Temperature Range	-40 – 105 °C[-40 – 221 °F]
-----------------------------	----------------------------

Industry Standards

UL Flammability Rating	UL 94V-2
------------------------	----------

Product Compliance

[For compliance documentation, visit the product page on TE.com>](#)

EU RoHS Directive 2011/65/EU	Compliant
EU ELV Directive 2000/53/EC	Compliant
China RoHS 2 Directive MIIT Order No 32, 2016	No Restricted Materials Above Threshold
EU REACH Regulation (EC) No. 1907/2006	Current ECHA Candidate List: JUNE 2023 (235) Candidate List Declared Against: JUNE 2023 (235) SVHC > Threshold: Dioctyltin dilaurate derivs (.4% in Component Part)
Halogen Content	Not Low Halogen - contains Br or Cl > 900 ppm.
Solder Process Capability	Not applicable for solder process capability

Product Compliance Disclaimer

This information is provided based on reasonable inquiry of our suppliers and represents our current actual knowledge based on the information they provided. This information is subject to change. The part numbers that TE has identified as EU RoHS compliant have a maximum concentration of 0.1% by weight in homogenous materials for lead, hexavalent chromium, mercury, PBB, PBDE, DBP, BBP, DEHP, DIBP, and 0.01% for cadmium, or qualify for an exemption to these limits as defined in the Annexes of Directive 2011/65/EU (RoHS2). Finished electrical and electronic equipment products will be CE marked as required by Directive 2011/65/EU. Components may not be CE marked. Additionally, the part numbers that TE has identified as EU ELV compliant have a maximum concentration of 0.1% by weight in homogenous materials for lead, hexavalent chromium, and mercury, and 0.01% for cadmium, or qualify for an exemption to these limits as defined in the Annexes of Directive 2000/53/EC (ELV). Regarding the REACH Regulation, the information TE provides on SVHC in articles for this part number is based on the latest European Chemicals Agency (ECHA) 'Guidance on requirements for substances in articles' posted at this URL: <https://echa.europa.eu/guidance-documents/guidance-on-reach>

Compatible Parts




TE Part # 170891-2
250 FASTON HSG.,FLAG,REC.,
NATURAL



TE Part # 1-170823-9
250 FASTON SLEEVE,REC.,
TRANSPARENT,NAT



TE Part # 170823-4
250 FASTON SLEEVE,REC.,
TRANSPARENT



TE Part # 1-170823-4
187 FASTON SLEEVE,REC.,
TRANSPARENT,NAT



TE Part # 1-170823-5
250 FASTON SLEEVE,REC.,
TRANSPARENT



TE Part # 170823-3
250 FASTON SLEEVE,REC.,
TRANSPARENT



TE Part # 170823-2
250 FASTON SLEEVE,REC.,
TRANSPARENT



TE Part # 170891-1
250 FASTON HSG.,FLAG,REC.,
NATURAL



TE Part # 170823-6
250 FASTON SLEEVE,REC.,
TRANSPARENT



TE Part # 170892-4
187 FASTON HSG.,REC.,NATURAL



TE Part # 170892-1
187 FASTON HSG.,REC.,NATURAL



TE Part # 1-170823-6
250 FASTON SLEEVE,REC.,
TRANSPARENT



TE Part # 1-170823-1
110 FASTON SLEEVE,REC.,
TRANSPARENT,NAT



TE Part # 1-170823-3
187 FASTON SLEEVE,REC.,
TRANSPARENT,NAT



TE Part # 1-170823-8
250 FASTON SLEEVE,REC.,
TRANSPARENT



TE Part # 170823-9
110 FASTON SLEEVE,REC.,
TRANSPARENT,NAT



TE Part # 170889-4
SLEEVE DIA5 SHUR PLUG NAT



TE Part # 170892-2
187 FASTON HSG.,REC.,NATURAL

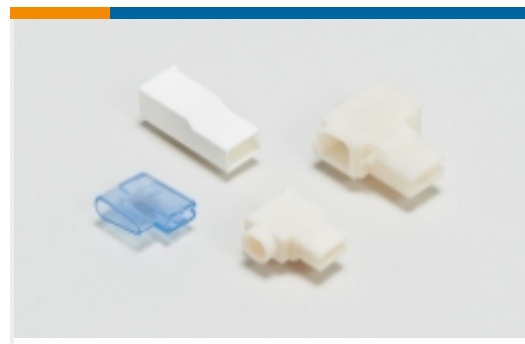


TE Part # 2-170823-8
187 FASTON SLEEVE,FLAG,REC.,
TRANSPARENT

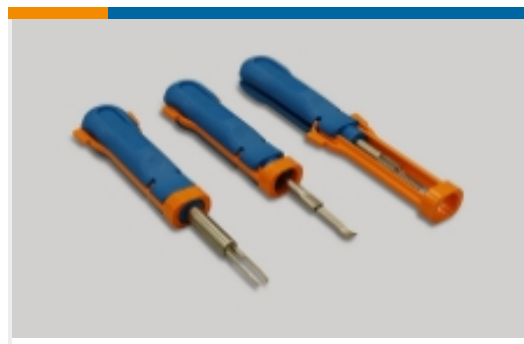


TE Part # 4-170823-1
205 FASTON SLEEVE,REC.,NATURAL

Also in the Series | **FASTON 110**



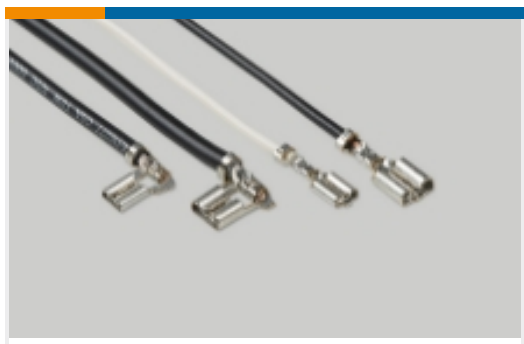
Crimp Terminal Housings(13)



Insertion & Extraction Tools(1)



PCB Terminals(21)



Quick Disconnects(172)

Customers Also Bought



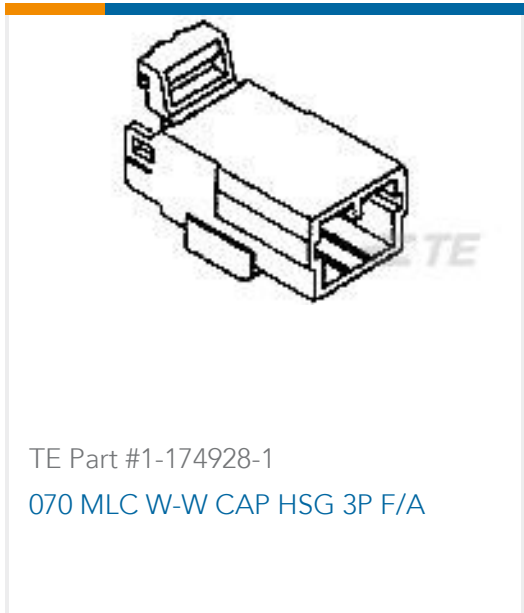
TE Part #1-2289080-1
D3950 REC 11POS 1ROW X KEY



TE Part #T2100042101-000
HK4/0-004-M,WITH ONE SLOT SCREW



TE Part #1-170823-5
250 FASTON SLEEVE,REC.,
TRANSPARENT



TE Part #1-174928-1
070 MLC W-W CAP HSG 3P F/A



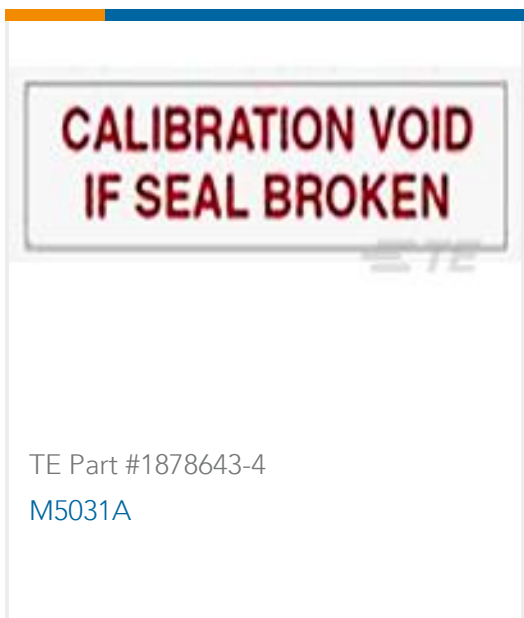
TE Part #2842121-6
6P,2MM,BRK HDR,SRRT,2.8,SN,BOX



TE Part #NB15774001
RNF-150-3/32-0-SP



TE Part #1762130-1
SAHT DYNAMIC D4-M 16-14 ASSY



TE Part #1878643-4
M5031A



TE Part #2232260-1
1394_A RECEPTACLE R/A THRU
HOLE TYPE



TE Part #2232261-1
1394_A RECEPTACLE UP RIGHT RA
THRU HOLE

Documents

Product Drawings

110 FASTON SLEEVE,TAB,TRANSPARENT,NAT

English

CAD Files

3D PDF

3D

Customer View Model

ENG_CVM_CVM_170823-1_F.2d_dxf.zip



English

Customer View Model

[ENG_CVM_CVM_170823-1_F.3d_igs.zip](#)

English

Customer View Model

[ENG_CVM_CVM_170823-1_F.3d_stp.zip](#)

English

By downloading the CAD file I accept and agree to the [Terms and Conditions](#) of use.

Datasheets & Catalog Pages

FASTON Housings

English

Product Environmental Compliance

[MD_170823-1_080220152320_dmtec](#)

English

[MD_170823-1_080220152320_dmtec](#)

English