

THIS DRAWING IS UNPUBLISHED.

RELEASED FOR PUBLICATION

ALL RIGHTS RESERVED.

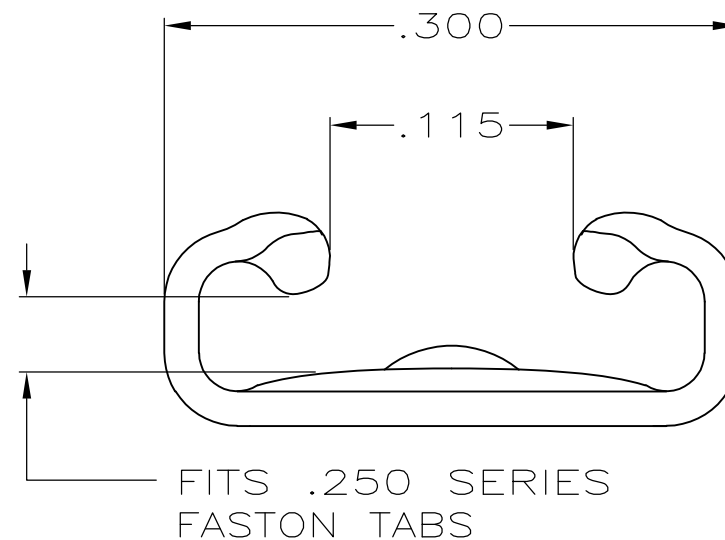
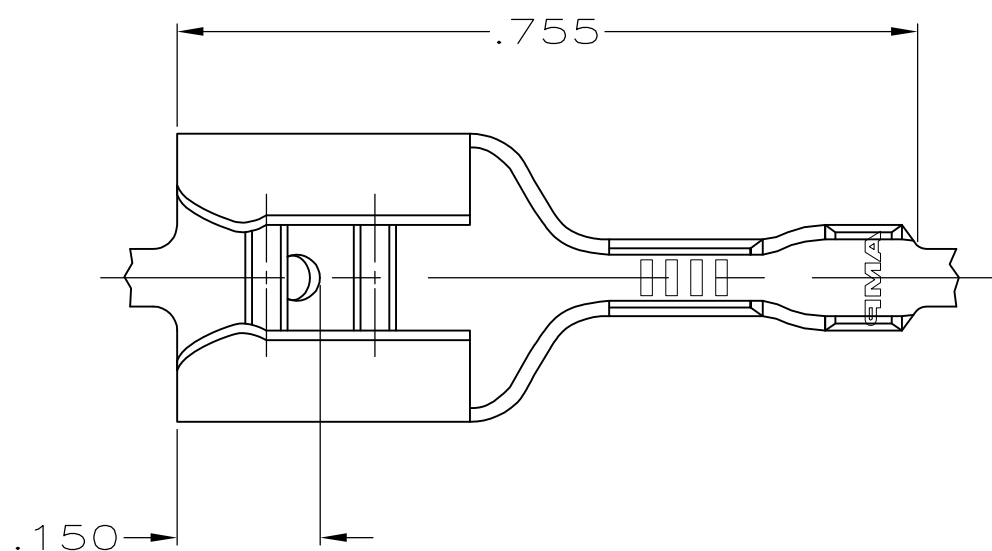
© COPYRIGHT - By -

LOC AF DIST 50

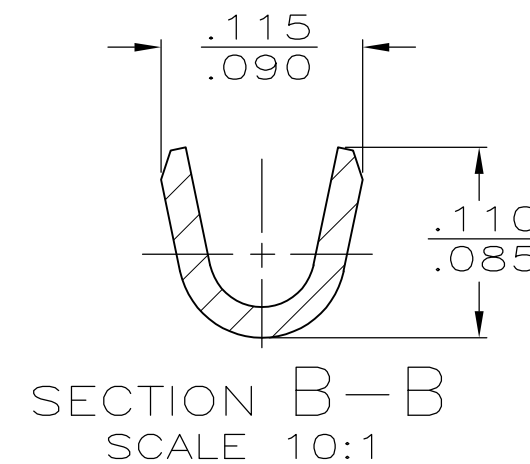
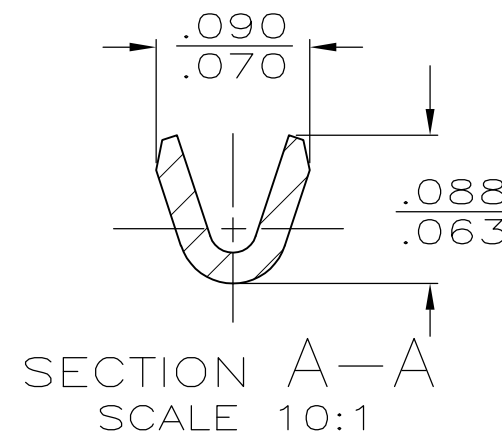
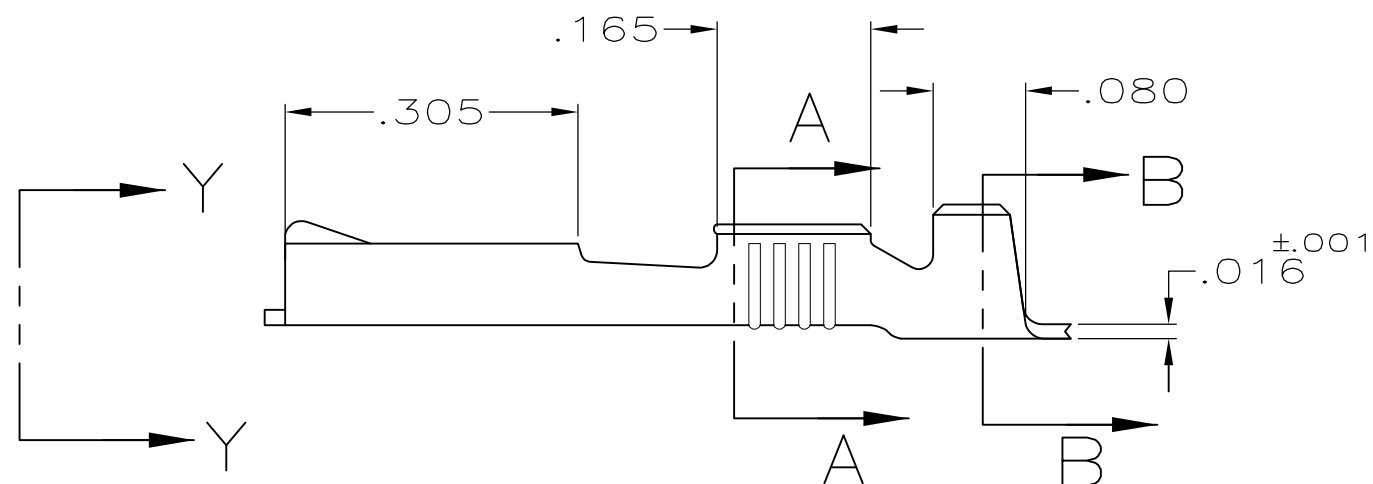
REVISIONS

| P | LTR | DESCRIPTION | DATE | DWN | APVD |
|---|-----|---------------------------|-----------|-----|------|
| | E | REVISED PER ECR-12-013459 | 29NOV2012 | KH | PD |


1 CONTINUOUS STRIP ON REELS.



VIEW Y-Y
SCALE 10:1



| | | | | |
|--------|------------------|-----------|----------------------|---------|
| TIN | .040-.060 DIA | 26-22 AWG | .032 | 61202-2 |
| - | | | | 61202-1 |
| FINISH | INSULATION RANGE | WIRE SIZE | MATING TAB THK ±.001 | PART NO |

| | | | | | | | | | | | | | | |
|---|------------------|-----------------------|--|-----------------|--------------------|-----|-------|-----|-------|-----|-------|--------|-------|-----|
| THIS DRAWING IS A CONTROLLED DOCUMENT. | | DWN JR RUTH 4/18/91 |  TE Connectivity RECEPTACLE, FASTON, .250 SERIES | | | | | | | | | | | |
| DIMENSIONS: INCHES | | CHK MS FEHER 4/18/91 | | | | | | | | | | | | |
| TOLERANCES UNLESS OTHERWISE SPECIFIED: | | APVD C MEYERS 4/18/91 | | | | | | | | | | | | |
| <table border="1"> <tr><td>0 PLC</td><td>± -</td></tr> <tr><td>1 PLC</td><td>± -</td></tr> <tr><td>2 PLC</td><td>± -</td></tr> <tr><td>3 PLC</td><td>± .015</td></tr> <tr><td>4 PLC</td><td>± -</td></tr> <tr><td>ANGLES</td><td>± -</td></tr> </table> | | 0 PLC | | | | ± - | 1 PLC | ± - | 2 PLC | ± - | 3 PLC | ± .015 | 4 PLC | ± - |
| 0 PLC | ± - | | | | | | | | | | | | | |
| 1 PLC | ± - | | | | | | | | | | | | | |
| 2 PLC | ± - | | | | | | | | | | | | | |
| 3 PLC | ± .015 | | | | | | | | | | | | | |
| 4 PLC | ± - | | | | | | | | | | | | | |
| ANGLES | ± - | | | | | | | | | | | | | |
| MATERIAL BRASS | FINISH SEE TABLE | PRODUCT SPEC - | APPLICATION SPEC - | WEIGHT - | RESTRICTED TO - | | | | | | | | | |
| CUSTOMER DRAWING | | | SIZE A3 | CAGE CODE 00779 | DRAWING NO C-61202 | | | | | | | | | |
| | | | SCALE 5:1 | SHEET 1 OF 1 | REV E | | | | | | | | | |