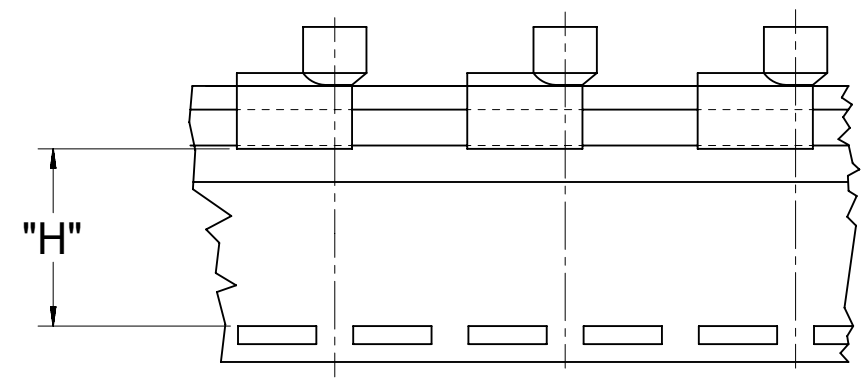
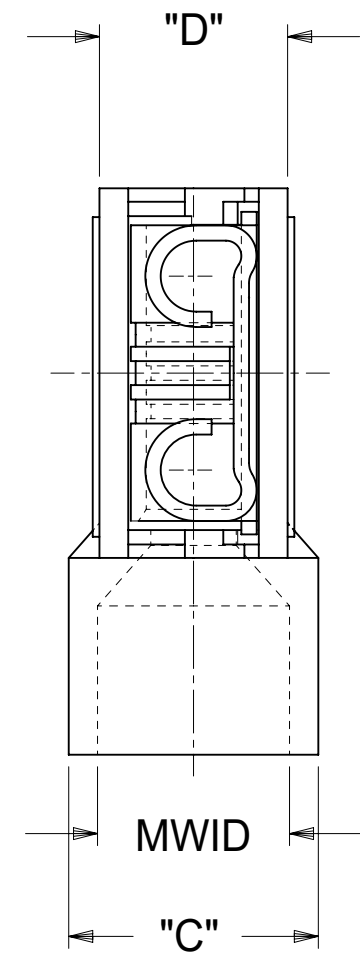
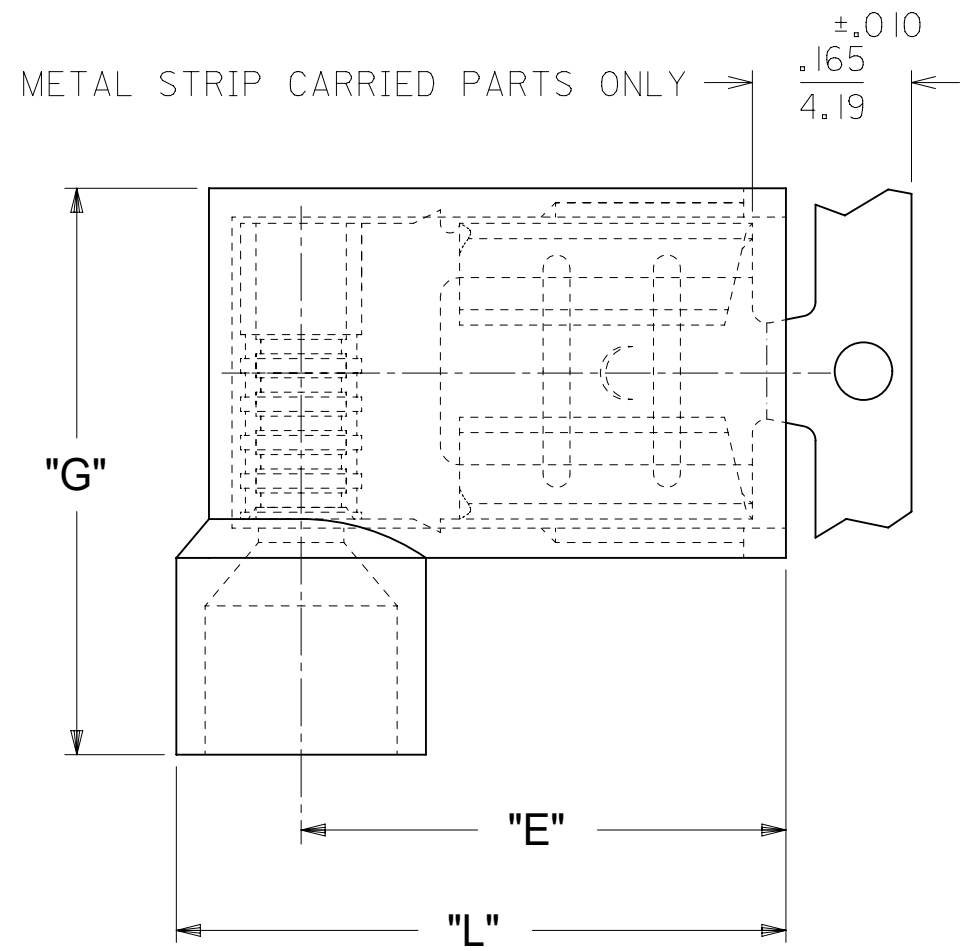


LOOSE PIECE		METAL STRIP CARRIED		MYLAR TAPE CARRIED		FEATURES			DIMENSIONS						
MATERIAL NUMBER	ENGINEERING NUMBER	MATERIAL NUMBER	ENGINEERING NUMBER	MATERIAL NUMBER	ENGINEERING NUMBER	AWG	COLOR	FITS TAB SIZE	MWID	L ± .015 / 0.38	G ± .015 / 0.38	E ± .015 / 0.38	C ± .015 / 0.38	D ± .015 / 0.38	H ± .02 / 0.5
190070001	AA-2220	190070008	AA-2220Z	190070004	AA-2220T	22-18	RED	.250x.032/6.35x0.81	.176/4.47	.630/16.00	.585/14.86	.512/13.00	.236/5.99	.197/5.00	.93/23.6
190070021	BB-2221	190070028	BB-2221Z	190070024	BB-2221T	16-14	BLUE	.250x.032/6.35x0.81	.200/5.08	.630/16.00	.585/14.86	.500/12.70	.260/6.60	.197/5.00	.93/23.6
190070040	C-2211	190070041	C-2211Z	190070053	C-2211T	12-10	YELLOW	.250x.032/6.35x0.81	.260/6.60	.667/16.93	.677/17.20	.511/12.98	.311/7.90	.246/6.25	.97/24.6



PARTS ON TAPE

NOTE(S):
 1. MWID = MAX. WIRE INSULATION DIA.
 2. MATERIAL:
 HOUSING: NYLON
 TERMINAL: TIN-PLATED BRASS
 3. ASSEMBLY IS RoHS COMPLIANT.

D1

THIS DRAWING CONTAINS INFORMATION THAT IS PROPRIETARY TO MOLEX ELECTRONIC TECHNOLOGIES, LLC AND SHOULD NOT BE USED WITHOUT WRITTEN PERMISSION															
DIMENSION UNITS INCH/MM		SCALE 5:1		CURRENT REV DESC: REMOVE STOP SIGN INFO "PRE-RELEASE REFERENCE USE ONLY"											
GENERAL TOLERANCES (UNLESS SPECIFIED)				molex FLAG QUICK DISCONNECT, FULLY INSULATED, .250 X .032 TAB SIZE PRODUCT CUSTOMER DRAWING											
	MM	INCH													
4 PLACES	±		±												
3 PLACES	±		± 0.005												
2 PLACES	±	0.13	± 0.01												
1 PLACE	±	0.25	±												
0 PLACES	±		±												
ANGULAR TOL ± 0.5°				EC NO: 692915 DRWN: DMYRICK 2022/01/20 CHK'D: JMACNEIL 2022/01/21 APPR: JMACNEIL 2022/01/21				DOCUMENT NUMBER SD-19007-004							
DRAFT WHERE APPLICABLE MUST REMAIN WITHIN DIMENSIONS				THIRD ANGLE PROJECTION		DRAWING B-SIZE		SERIES 19007		MATERIAL NUMBER SEE TABLE		CUSTOMER GENERAL MARKET		REVISION D1	
				SHEET NUMBER 1 OF 1											