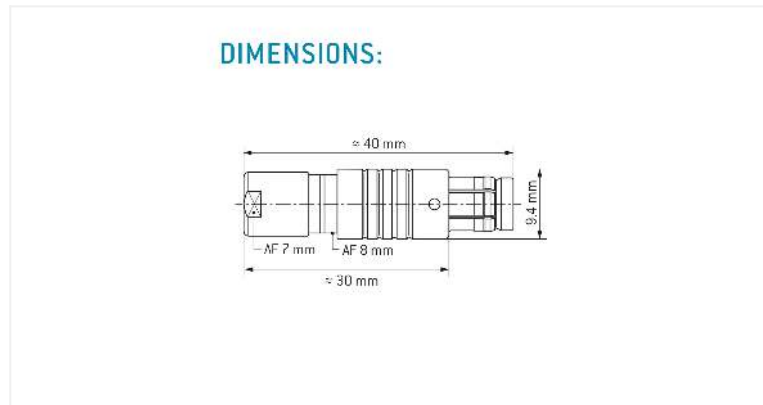


## General information

Part number	S30F2C-P04LFG0-5000
Termination	solder
Size	0
Locking principle	push
Coding	2_halfshell
Cable Diameter	cable_mini_50
Cable outlet	standard



## Contact insert description

Number of contacts	4
Contact type	sockets
Contact diameter	0.7mm
Insulator material	peek
Wire cross section	22_awg
Termination	solder
Termination diameter	0.85mm

reverse\_gender\_on\_request

## Technical information

Max. creepage and air clearance distance	0.6 mm	0.7 mm
Nominal current single contact	0.75 a	iec_60512_5_2
Nominal current insert	7.5 A	vde_0298_4
Test voltage	0.9 kv_ac	sae_13441

safety\_text

## Mechanical and environmental data

Degree of protection*	ip68
Operating temperature	40_120_c
Mating cycles	5000

mated

## Material and surface treatments

Housing	m_chrome
Contact	cu_alloy_gold

safety\_text\_2  
ul\_text  
illustrative\_text