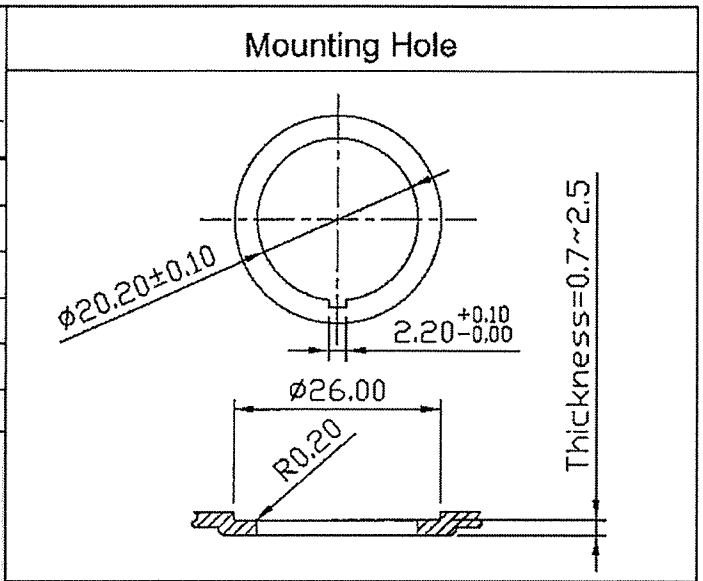


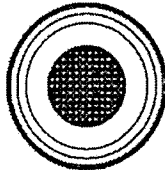
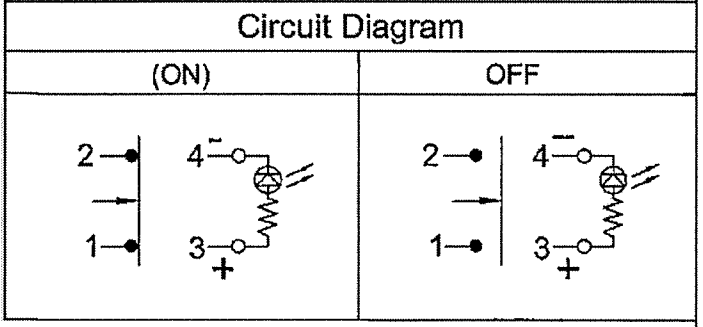
THIS INFORMATION IS CONFIDENTIAL AND PROPRIETARY TO CW INDUSTRIES INCORPORATED AND ITS AFFILIATES. IT MAY NOT BE DISCLOSED TO ANYONE, OTHER THAN CW INDUSTRIES PERSONNEL, WITHOUT WRITTEN AUTHORIZATION FROM CW INDUSTRIES INCORPORATED, SOUTHAMPTON, PENNSYLVANIA USA.

Rating	10A 125V, 6A 250V AC 1/2 HP 125 / 250V AC
Configured for	20A 14VDC
Contact Resistance	50m ohm Max.
Insulation Resistance	DC 500V 100M ohm Min.
Dielectric Strength	AC 1500V 1 minute
Operation Temperature	-25° C ~ 85° C
Switch Function	4P SPST (ON)-OFF Lamp Independent
Lamp Type	LED 12VDC 14V w/resistor



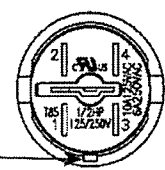
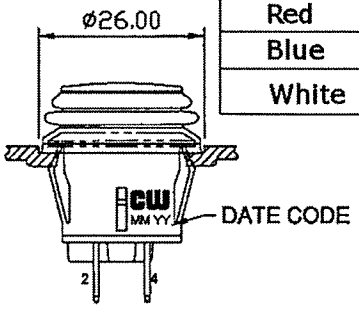
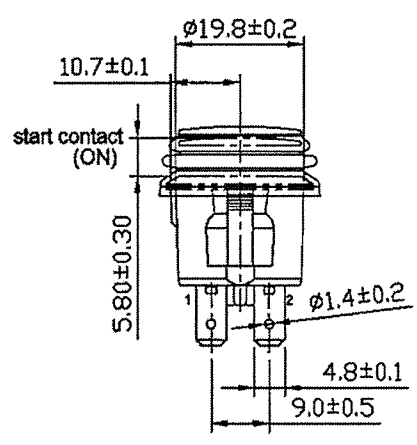
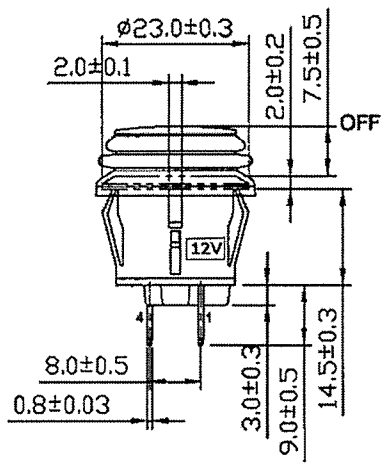
( ) = Momentary Function

**MATERIAL:**  
 Frame: Black, Nylon 66 (94-V2)  
 Actuator: PC Clear (94-V2), For Color Ref. "X" in Actuator/LED Color Chart and CW P/N.  
 LED: For Color Ref. "X" in Actuator/LED Color Chart and CW P/N.  
 Terminals: Silver plated, Copper alloy  
 Waterproof Rubber: Black, Silicone  
 Printed: None  
 Waterproof: IP65



Full travel: 4.5mm

ACTUATOR/LED COLOR	X
Amber	A
Green	G
Red	R
Blue	U
White	W



Orientation Key

RoHS Compliant

 Southampton, Pa. 18966 Tel 215.355.7080/www.cwind.com	Date Drawn: 6/27/2012	Rev. 0	Unit: mm	Checked By: <i>G. Gold</i>
	Title: PUSH BUTTON SWITCH		CW P/N: GPB527C2L02BX1	