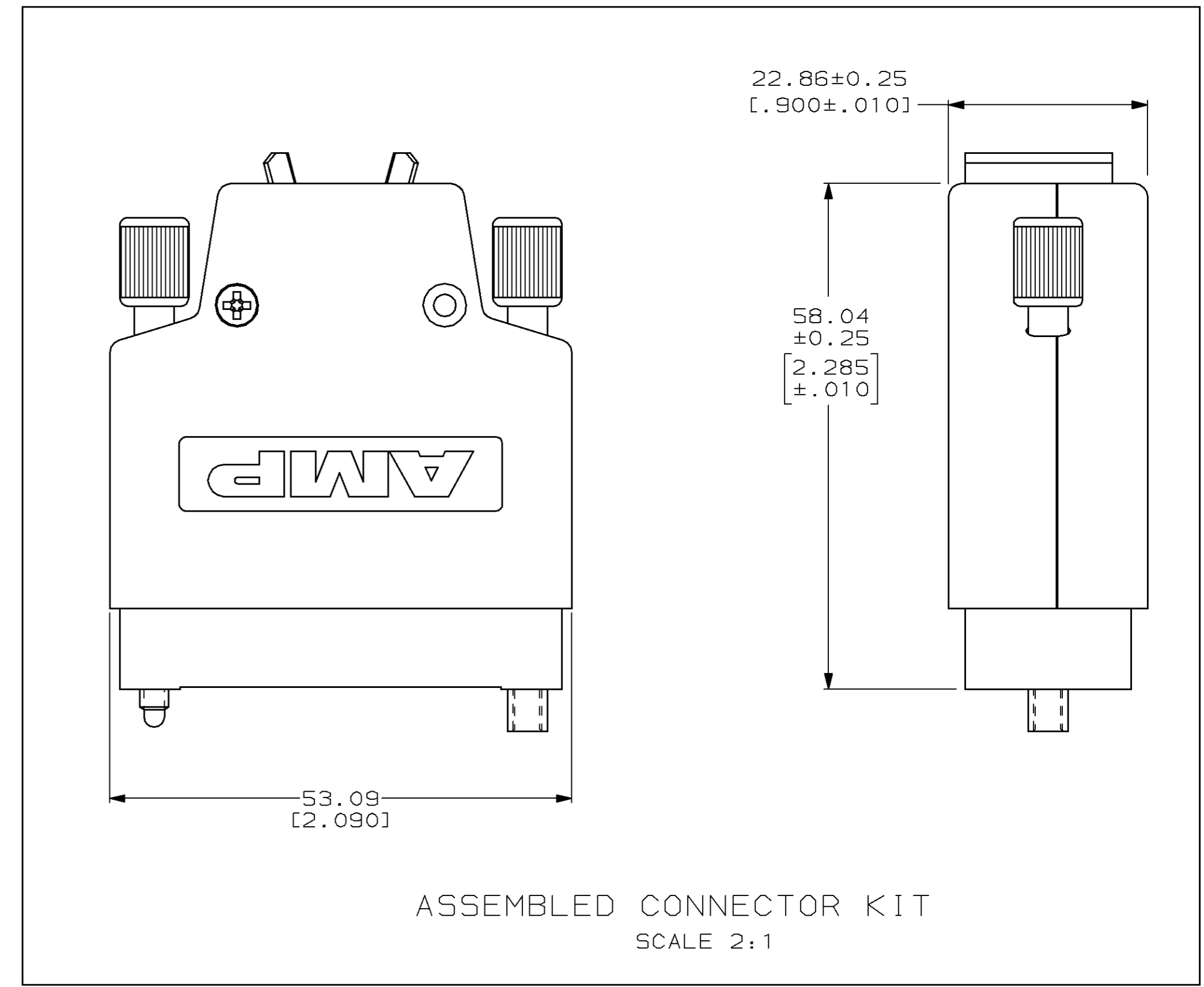
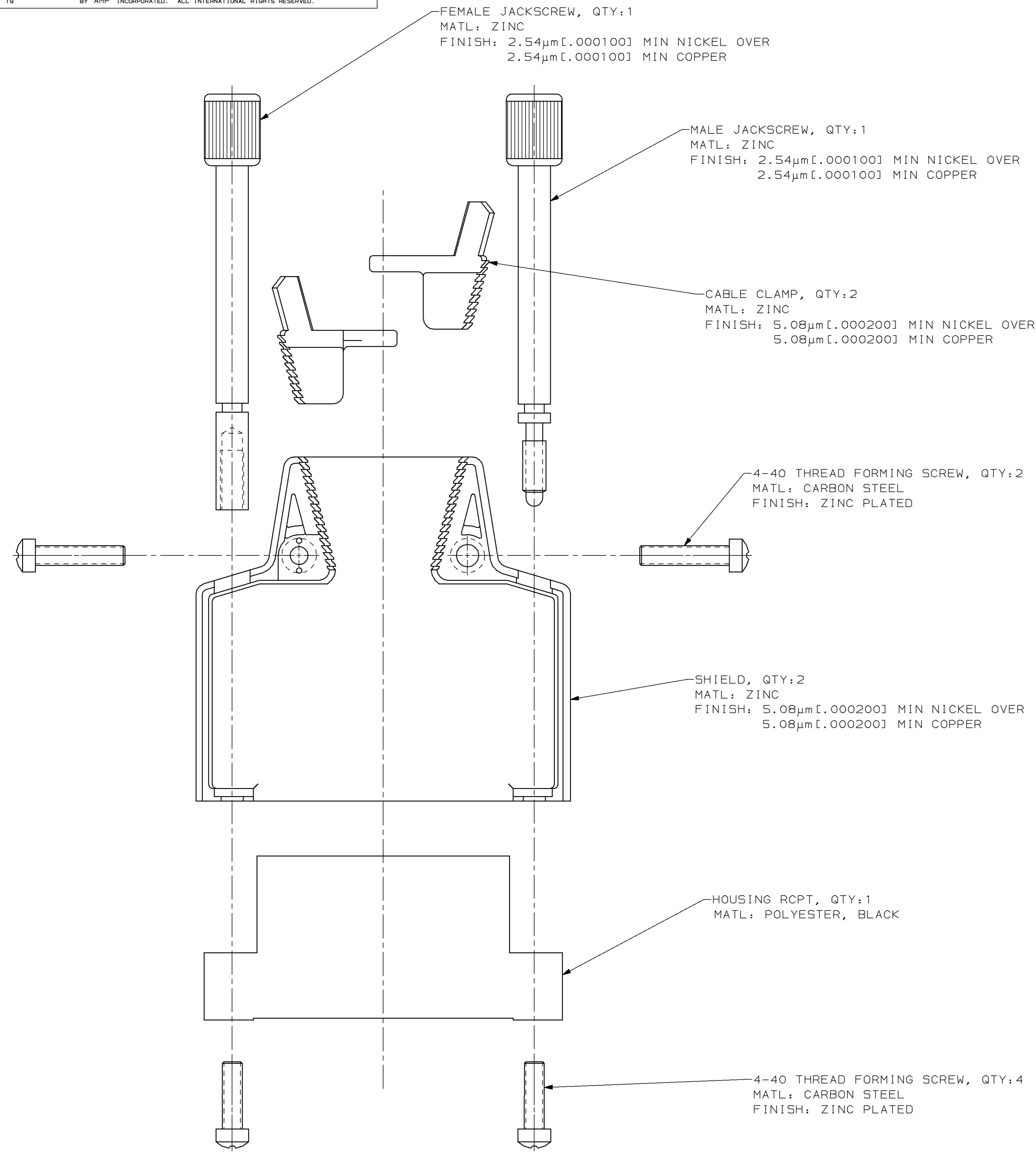


LOC		DIST		P		F		ZONE		LTR		REVISIONS			
FT	8											DESCRIPTION	DATE	APPD	
												0	RLSE -1 & -2 PER NPR 5125 WAS 94-7965-002-01 & -02	08-16-94	TC
												A	REV PER EC 0020-268-95	03/27/95	TC
												B	ADDED -3 PER EC 002-283-96	15 MAR 96	MM
												C	REV PER EC 0320-163-96	08 JAN 97	MM



10.16-15.24 [.400-.600]	213805-3
6.35-10.16 [.250-.400]	213805-2
3.81-7.62 [.150-.300]	213805-1
CABLE DIAMETER	PART NO

DO NOT SCALE PRINT. UNLESS SPECIFIED DIMENSIONS IN mm [INCHES] TOLERANCES ON: 2 PLC DEC ± 0.13(.005) 3 PLC DEC ± - ANGLES ± -		DR 08-16-94 D.BROCKWAY		AMP Incorporated Harrisburg, PA 17105-3608	
SEE CALLOUTS		CHK 10-05-94 R.STONE			
FINISH SEE CALLOUTS		APPD 10-06-94 T.COULSON		NAME CONNECTOR KIT, UNASSEMBLED, 34 POSITION, V.35 M SERIES	
APPLICATION SPEC -		SIZE D	CAGE CODE 00779	DRAWING NO 213805	
WEIGHT -		SCALE 3:1	SHEET 1 OF 1		