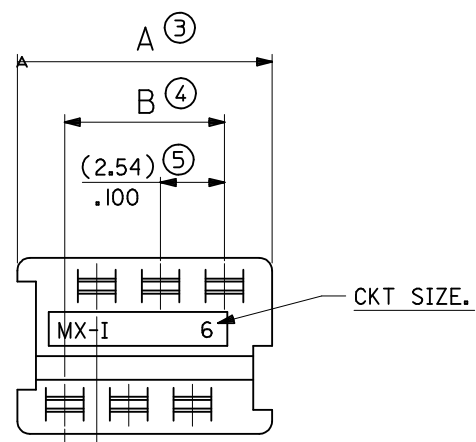


90584	-**26	26	(35.53)/1.399	(31.75)/1.250	(30.48)/1.200
	-**24	24	(32.99)/1.299	(29.21)/1.150	(27.94)/1.100
	-**22	22	(30.45)/1.199	(26.67)/1.050	(25.40)/1.000
	-**20	20	(27.91)/1.099	(24.13)/.950	(22.86)/.900
	-**18	18	(25.37)/.999	(21.59)/.850	(20.32)/.800
	-**16	16	(22.83)/.899	(19.05)/.750	(17.78)/.700
	-**14	14	(20.29)/.799	(16.51)/.650	(15.24)/.600
	-**12	12	(17.75)/.699	(13.97)/.550	(12.70)/.500
	-**10	10	(15.21)/.599	(11.43)/.450	(10.16)/.400
	-**08	8	(12.67)/.499	(8.89)/.350	(7.62)/.300
	-**06	6	(10.13)/.399	(6.35)/.250	(5.08)/.200
90584	-**04	4	(7.59)/.299	(3.81)/.150	(2.54)/.100
PART NO.	CCT SIZE		DIMENSION A	DIMENSION B	DIMENSION C



**HOUSING**

MATL. POLYESTER, RATED UL 94V-0, COLOUR WHITE.

**IDT CONTACT**

MATL : PHOSPHOR BRONZE (0.28)/.011 REF THICK.  
 PLATING : (2-4um) / 80-160u" TIN

**NOTES:**

1. APPL. CLASS TO DIN 40040 HME (-25°C/+100°C)
2. PRODUCT SPECIFICATION: PS-99020-0011
3. WIRE TERMINATION SPEC: ES-99033-0002
4. PACKAGING SPEC: PK-90584-001

90584- \* \* \* \*

04 TO 26 = CKT SIZE.

3= NO CIRCUITS VOIDED.

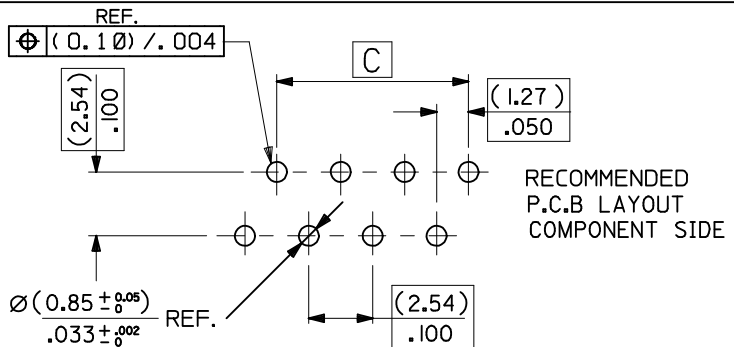
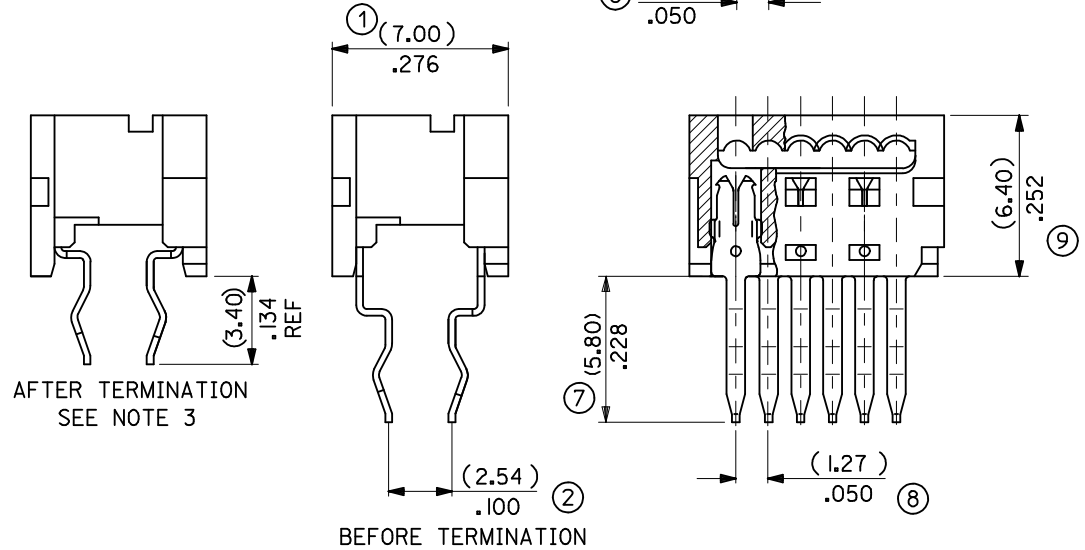
4= CIRCUITS 4 & 5 VOIDED.

1= INDIVIDUAL TUBED ASSY

2= STACKED TUBED ASSY - SEE SHEET 2

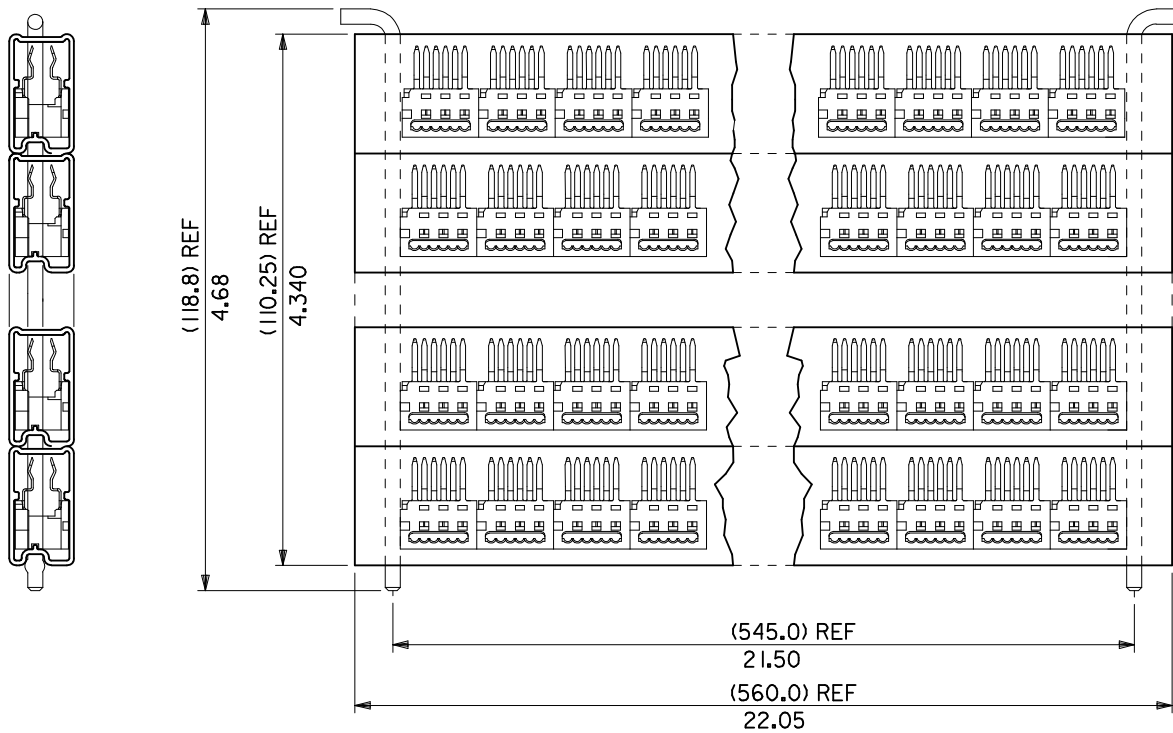
8 = NON STANDARD TUBE OPTION - SEE SHEET 3

9= NON STANDARD OPTION - SEE SHEET 3



ADDED NON STD TUBE EC NO: IPG2015-0003 DRWN:DBYRNES 2014/07/07 CHKD: APPR:STGRFFIN 2014/10/30 DESCRIPTION REV	QUALITY SYMBOLS ▽=0 ▽=0	GENERAL TOLERANCES (UNLESS SPECIFIED) <table border="1"> <tr><th></th><th>mm</th><th>INCH</th></tr> <tr><td>4 PLACES</td><td>± ---</td><td>± ---</td></tr> <tr><td>3 PLACES</td><td>± ---</td><td>± .010</td></tr> <tr><td>2 PLACES</td><td>± 0.25</td><td>± ---</td></tr> <tr><td>1 PLACE</td><td>± ---</td><td>± ---</td></tr> </table>		mm	INCH	4 PLACES	± ---	± ---	3 PLACES	± ---	± .010	2 PLACES	± 0.25	± ---	1 PLACE	± ---	± ---	DIMENSION STYLE MM/IN	SCALE 5:1	DESIGN UNITS METRIC	THIRD ANGLE PROJECTION
		mm	INCH																		
4 PLACES	± ---	± ---																			
3 PLACES	± ---	± .010																			
2 PLACES	± 0.25	± ---																			
1 PLACE	± ---	± ---																			
DRAWN BY DMCNAR 2003/09/01	DATE 2003/09/01	TITLE 1.27MM PF LOW PRO IDT BOARD-IN CONNECTOR	CHECKED BY BMAGUIRE 2003/09/01	DATE 2003/09/01	MOLEX INCORPORATED	SHEET NO. 1 OF 3															
APPROVED BY MWILHITE 2003/09/01	DATE 2003/09/01	MATERIAL NO. SEE CHART	DOCUMENT NO. SDA-90584	THIS DRAWING CONTAINS INFORMATION THAT IS PROPRIETARY TO MOLEX INCORPORATED AND SHOULD NOT BE USED WITHOUT WRITTEN PERMISSION																	

10 9 8 7 6 5 4 3 2 1



STACKED TUBED ASSEMBLY

<b>REVISION UPDATE</b> EC NO: E2005-1027 DRWN:GMSWEN 2005/05/10 CHKD:DMORIARTY 2005/05/10 APPR:JDENNEHY 2005/05/26	QUALITY SYMBOLS ▽=0 ◻=0	GENERAL TOLERANCES (UNLESS SPECIFIED) mm INCH 4 PLACES ± --- ± --- 3 PLACES ± --- ± .010 2 PLACES ± 0.25 ± --- 1 PLACE ± --- ± --- ANGULAR ± 2 °	DIMENSION STYLE MM/IN DRAWN BY PW DATE 1994/02/25 CHECKED BY DMORIARTY DATE 2005/05/06 APPROVED BY JDENNEHY DATE 2005/05/10	SCALE NTS DESIGN UNITS METRIC THIRD ANGLE PROJECTION	TITLE 1.27MM PF LOW PRO IDT BOARD-IN CONNECTOR
	DRAFT WHERE APPLICABLE MUST REMAIN WITHIN DIMENSIONS	MATERIAL NO. SEE SHEET 1	DOCUMENT NO. SDA-90584	SHEET NO. 2 OF 3	
	THIS DRAWING CONTAINS INFORMATION THAT IS PROPRIETARY TO MOLEX INCORPORATED AND SHOULD NOT BE USED WITHOUT WRITTEN PERMISSION				
	SIZE A3				

9 8 7 6 5 4 3 2 1