

# Customer Information Sheet

DRAWING No.: S437-XX

SHEET 3 OF 3

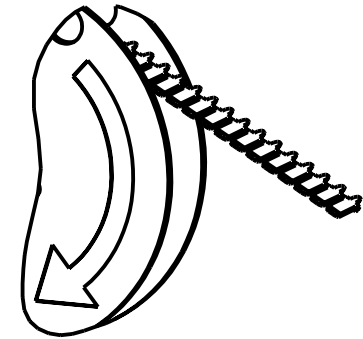
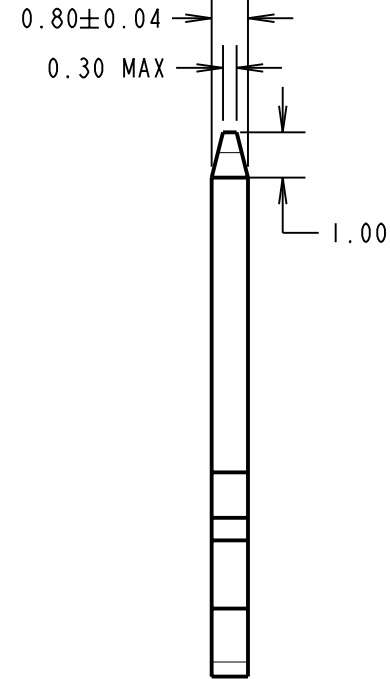
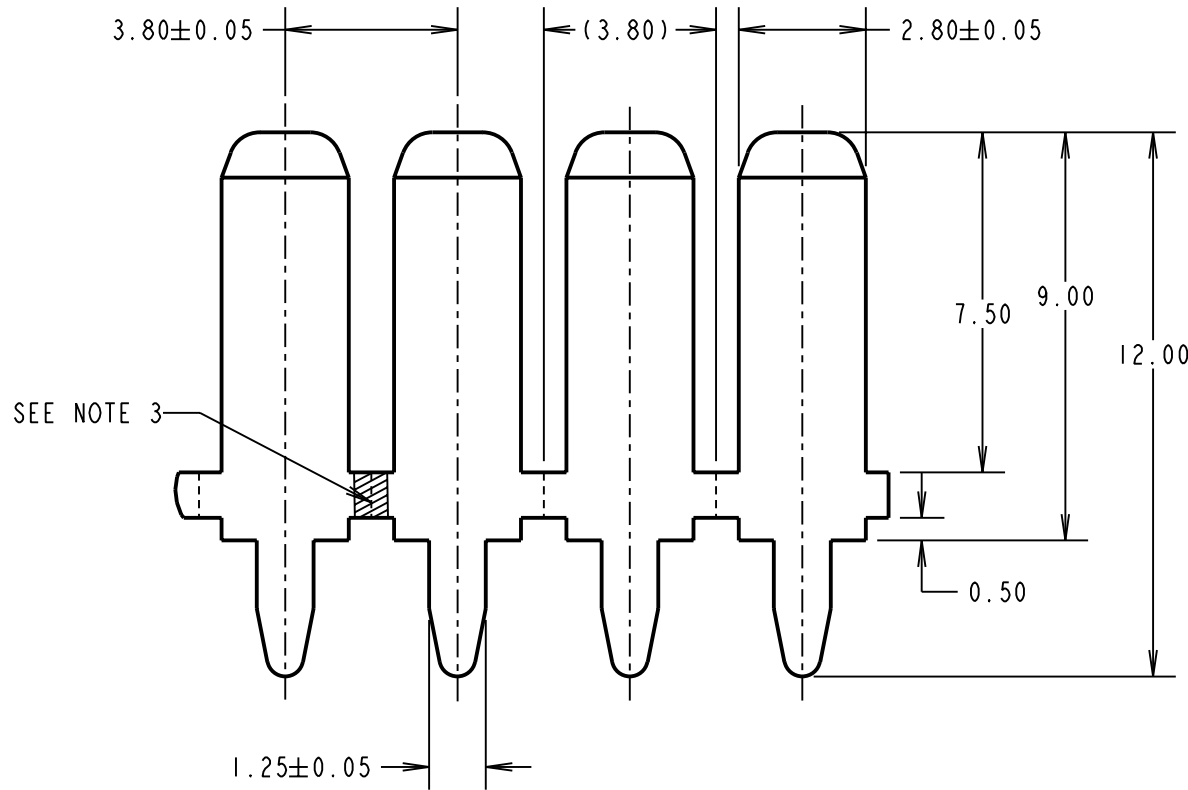
IF IN DOUBT - ASK

©

NOT TO SCALE

THIRD ANGLE PROJECTION

ALL DIMENSIONS IN mm



COMPONENTS SHOWN REELED  
READY FOR INSERTION

**NOTES:**

1. QUANTITY OF TABS PER REEL = 20K.  
TOTAL WEIGHT PER REEL = 5.5kg (INCLUDING REEL).
2. RECOMMENDED MOUNTING HOLE SIZE =  $\varnothing 1.30 \pm 0.06\text{mm}$ .
3. THIS SECTION CAN BE CROPPED OUT WITH THE APPROPRIATE TOOLING.

ORDER CODE:  
**S437-XX**

FINISH: \_\_\_\_\_

~~06 = 4 $\mu$  90/10 TIN/LEAD~~  
37 = 5 $\mu$  SILVER  
~~46 = 4 $\mu$  100% TIN~~

SB	4	22.03.11	10770
NAME	ISS.	DATE	C/NOTE
APPROVED:		S. BENNETT	
CHECKED:		R. ADDE	
DRAWN:		J. EVANS	
CUSTOMER REF.:			
ASSEMBLY DRG:			

**HARWIN**

HARWIN USA  
TEL: 603 893 5376  
FAX: 603 893 5396  
mis@harwin.com

HARWIN Europe (UK)  
TEL: 023 9231 4545  
FAX: 023 9231 4590  
mis@harwin.co.uk

HARWIN Asia  
TEL: +65 6 779 4909  
FAX: +65 6 779 3868  
mis@harwin.com.sg

THIS DRAWING AND ANY INFORMATION OR DESCRIPTIVE MATTER SET OUT HEREON ARE CONFIDENTIAL AND COPYRIGHT PROPERTY OF THE HARWIN GROUP AND MUST NOT BE DISCLOSED, LOANED, COPIED OR USED FOR MANUFACTURING, TENDERING OR FOR ANY OTHER PURPOSE WITHOUT THEIR WRITTEN PERMISSION.

TOLERANCES  
X. =  $\pm 1\text{mm}$   
X.X =  $\pm 0.25\text{mm}$   
X.XX =  $\pm 0.10\text{mm}$   
X.XXX =  $\pm 0.01\text{mm}$   
ANGLES =  $\pm 5^\circ$   
UNLESS STATED

MATERIAL: BRASS CW508L TO BS EN 1652 (CuZn37 HARD)  
FINISH: SEE ABOVE  
S/AREA: mm<sup>2</sup>

TITLE: 2.8mm VERTICAL BLADE REELED TERMINAL (9mm HIGH)  
DRAWING NUMBER: **S437-XX**

SHT  
3  
OF  
3