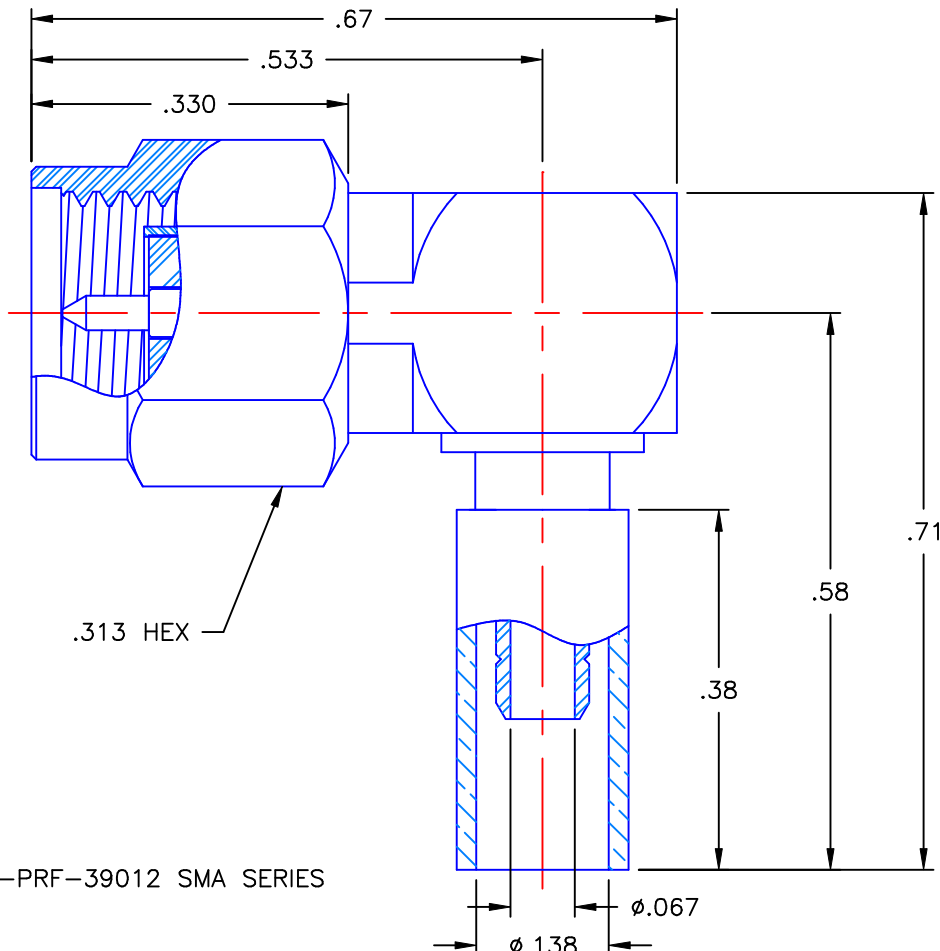


REVISIONS			
REV	DESCRIPTION	DATE	APPROVED
A	INITIAL RELEASE	09/09/09	A.D.M.



NOTES: CONFORMS TO MIL-PRF-39012 SMA SERIES

MATERIALS:

- BODIES & COUPLING NUT = STAINLESS STEEL PER ASTM A582, ALLOY 303, CONDITION "A".
- CONTACT & RETAINING RING = BERYLLIUM COPPER PER ASTM B196, ALLOY C17300, TEMPER TD04.
- INSULATORS = VIRGIN WHITE TEFLON PER ASTM D1710, GRADE 1, TYPE I, CLASS "B".
- GASKET = SILICONE RUBBER PER ZZ-R-765, CLASS 2B, GRADE 65-75.
- CAP = BRASS PER ASTM B16, ALLOY C36000, TEMPER H02.
- CRIMP SLEEVE = SEAMLESS COPPER TUBE PER ASTM B75, TYPE C12000, TEMPER: LIGHT ANNEAL O50 EXCEPT YIELD STRENGTH.
- SHRINK SLEEVE = (NOT SHOWN) = THERMOFIT SCL, BLACK.

FINISHES:

- BODIES & COUPLING NUT = PASSIVATE PER QQ-P-35, TYPE VI.
- CONTACT = GOLD PLATE PER MIL-G-45204, TYPE II, CLASS 1, GRADE C, OVER .00010 TO .00020 STRESS FREE SULFAMATE NICKEL PER QQ-N-290.
- CAP & CRIMP SLEEVE = NICKEL PLATE PER QQ-N-290, CLASS 1, GRADE G, EXCEPT .0001 TO .0002 THICK OVER .00005 TO .0001 THICK COPPER PER MIL-C-14550.

Property of Radiall Incorporated
 This document cannot be reproduced or communicated to a third party without prior written permission of RADIALL Incorporated.

UNLESS OTHERWISE SPECIFIED DIMENSIONS ARE IN INCHES TOLERANCES ON	DWN:	DATE	
	A.D.M.	09/09/09	
	CHKD:	DATE	
DECIMAL	ANGLE	D.N.	09/09/09
		APVD:	DATE
		J.M.	09/09/09

AEP APPLIED ENGINEERING PRODUCTS
 a RADIALL company
 104 John W. Murphy Dr.
 New Haven, CT 06513

SMA RIGHT ANGLE PLUG
 CRIMP TYPE
 FOR RG-316DS & SIMILAR CABLES

REFERENCE:	MATERIALS AND FINISHES:	SIZE	FSCM NO.	DWG NO.	REV
ORIGINATOR: A.D.M. DATE: 09/09/09	SEE NOTES	A	19505	9043-9523-019	A
		SCALE 5:1		THIRD ANGLE PROJECTION	SHEET 1 OF 1

9043-9523-019