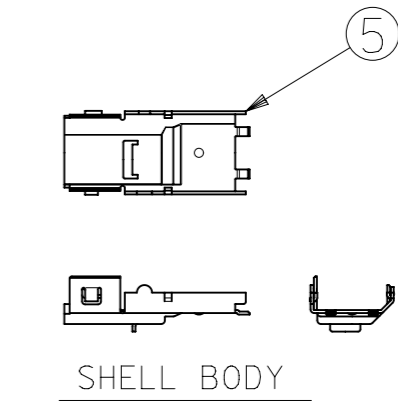
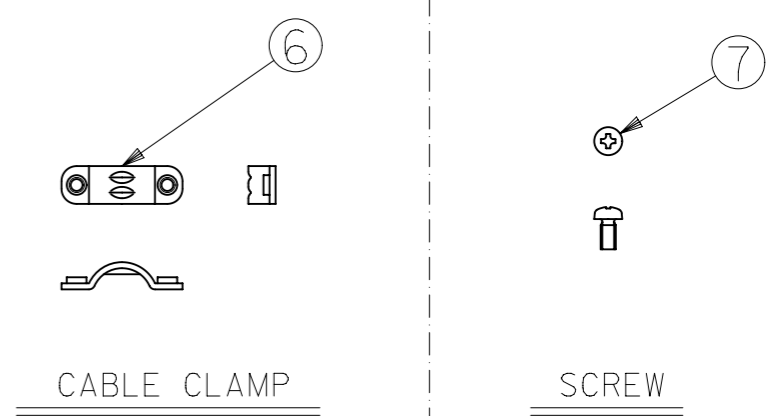
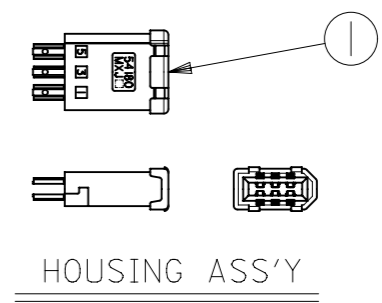
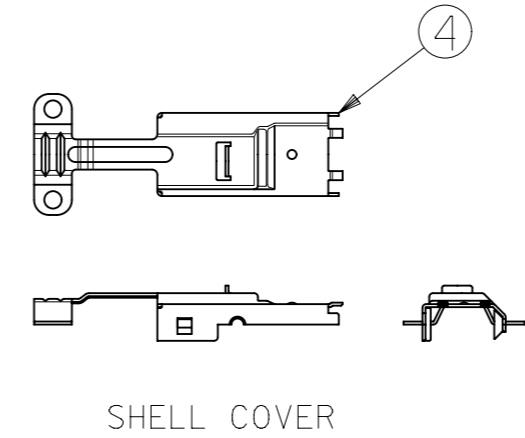
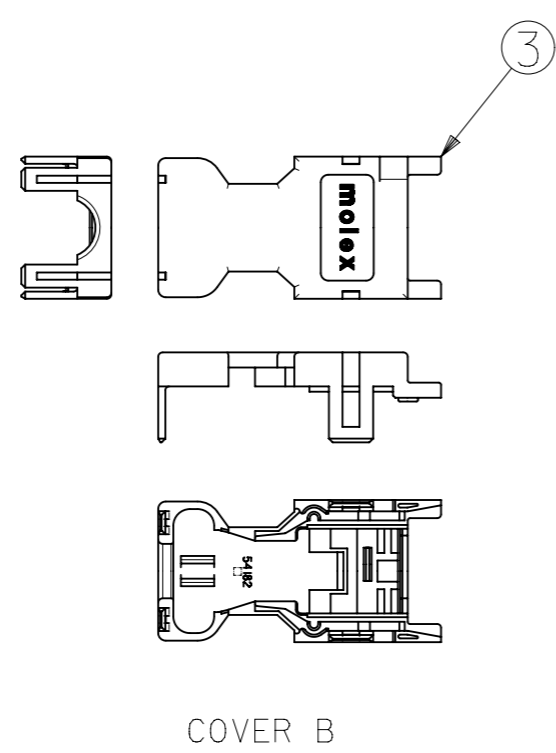
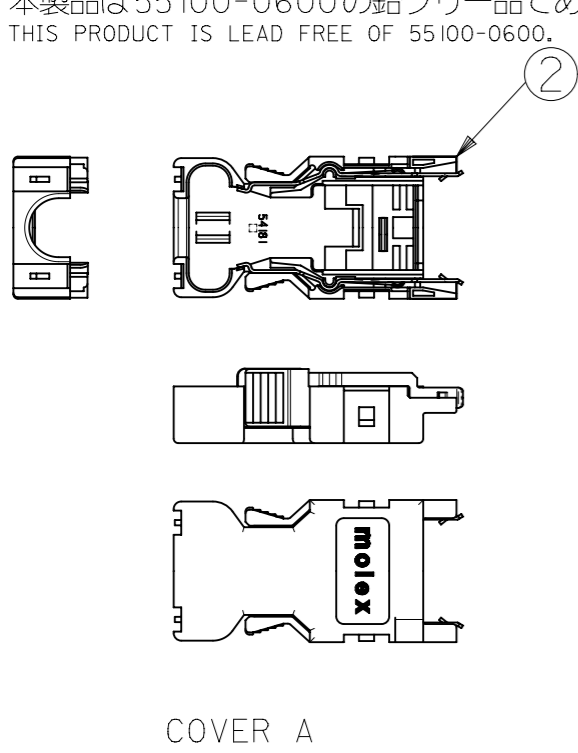


部品構成
PARTS CONSTRUCTION

| 部番 NO. | 部品名 PART NAME | 製品番号 ENG. NO. | 個数 QUAN. | 材質 MATERIAL |
|-----------|-----------------------------------------------------|------------------|-------------|----------------------------------------------------------------------------------------------------------------------------------------------------------------------------------------------------------------------------------------------------------------------------------|
| ① | ハウジングアッセンブリ HOUSING ASS'Y | 54180-0619 | 1 | ハウジング：ガラス入り耐熱樹脂 UL94V-0 色：黒 HOUSING : G.F. HEAT RESISTANT PLASTIC UL94V-0 COLOR : BLACK ターミナル：りん青銅 t0.3 TERMINAL : PHOSPHOR BRONZE t0.3 メッキ仕様 接点部：ニッケル下地金メッキ PLATING CONTACT AREA : GOLD OVER NICKEL 結線部：ニッケル下地錫メッキ WIRE TERMINATION AREA : TIN OVER NICKEL |
| ② | カバーA COVER A | 54181-0615 | 1 | カバーA：ガラス入りポリカーボネイト樹脂 COVER A : POLYCARBONATE G.F. UL94V-0 色：グレー UL94V-0 COLOR : GRAY スプリングラッチ：ステンレス鋼 t0.4 SPRING LATCH : STAINLESS STEEL t0.4 |
| ③ | カバーB COVER B | 54182-0605 | 1 | ガラス入りポリカーボネイト樹脂 UL94V-0 色：グレー POLYCARBONATE G.F. UL94V-0 COLOR : GRAY |
| ④ | シエル カバー SHELL COVER | 58299-0626 | 1 | 鋼 t0.4 STEEL t0.4 |
| ⑤ | シエル ボディ SHELL BODY | 58300-0626 | 1 | メッキ仕様：ニッケル下地、錫メッキ PLATING : NICKEL BASE, TIN PLATING |
| ⑥ | ケーブルクランプ CABLE CLAMP | 58303-0000 | 1 | ステンレス鋼 STAINLESS STEEL |
| ⑦ | 十字穴付きなべ小ネジ CROSS RECESSED PAN HEAD MACHINE SCREW | 59832-0009 | 2 | 黄銅(ネジサイズ：M2X4) BRASS (SCREW SIZE : M2X4) |

NOTES:
本製品は55100-0600の鉛フリー品である
THIS PRODUCT IS LEAD FREE OF 55100-0600.



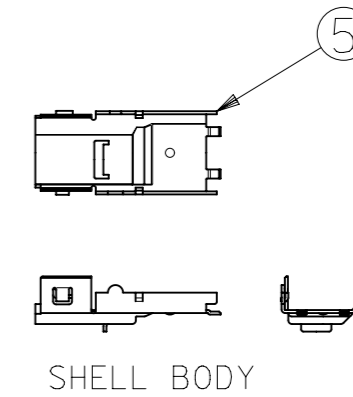
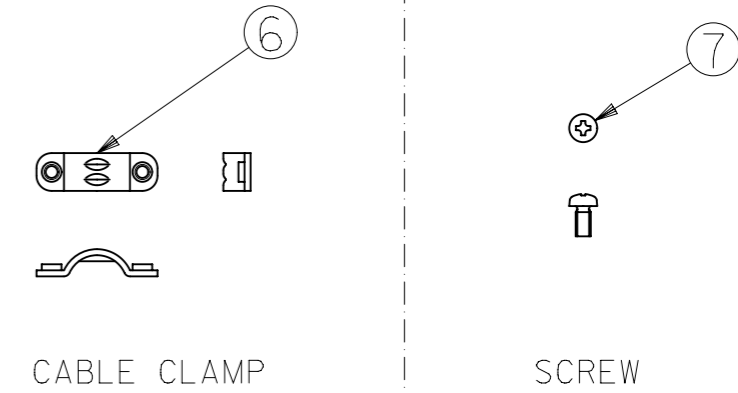
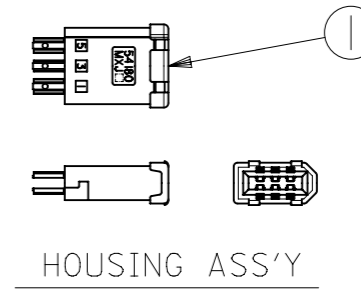
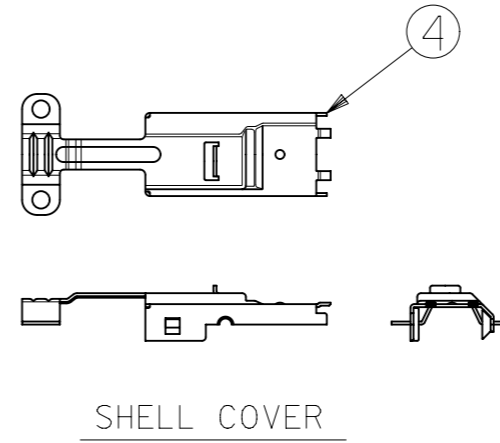
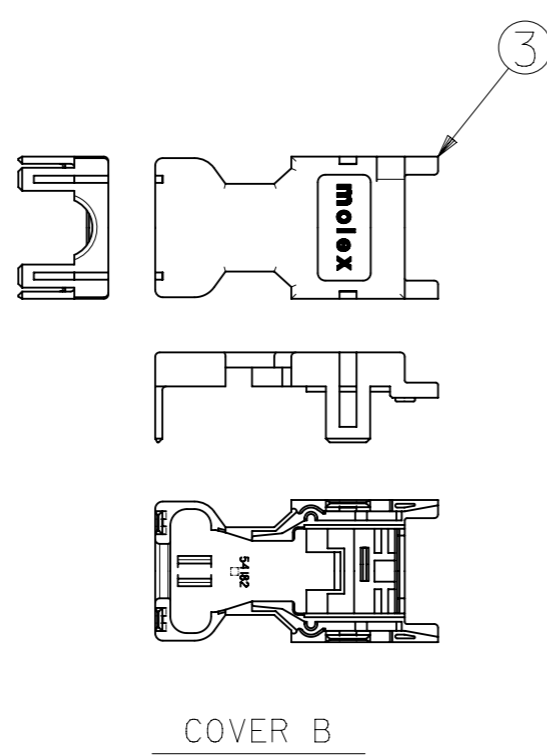
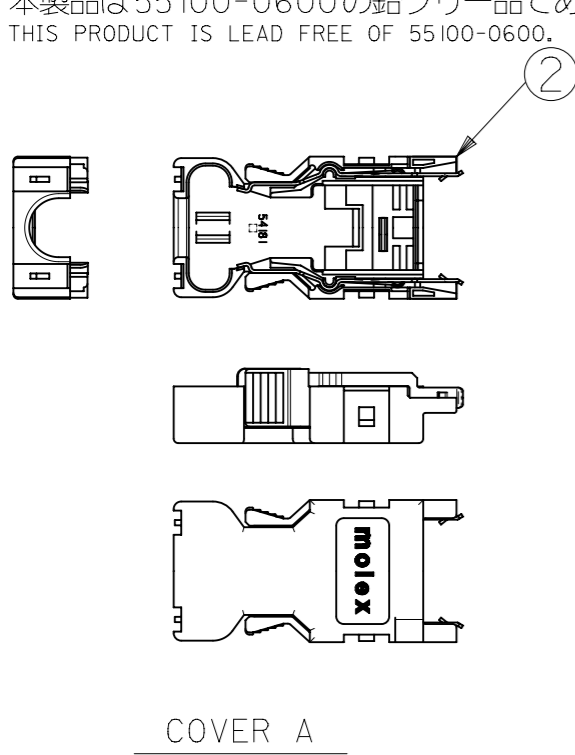
| | | | |
|-------------|-----------------|--------------|------------|
| GRAY | TRAY & POLY BAG | 55100-0680 | 55100-***0 |
| | POLY BAG | 55100-0670 | |
| COVER COLOR | PACKAGE METHOD | MATERIAL No. | MODEL No. |

| | | | |
|-----------------------------------------------------------------------------------------------------------------------------------------------|------------------------|-------------------------------------------------------------------------------------------------------|------------------------|
| THIS DRAWING CONTAINS INFORMATION THAT IS PROPRIETARY TO MOLEX ELECTRONIC TECHNOLOGIES, LLC AND SHOULD NOT BE USED WITHOUT WRITTEN PERMISSION | | | |
| DIMENSION UNITS mm | SCALE NTS | CURRENT REV DESC: | |
| GENERAL TOLERANCES (UNLESS SPECIFIED) | | | |
| ANGULAR TOL | ± ° | | |
| 4 PLACES | ± | | |
| 3 PLACES | ± | | |
| 2 PLACES | ± | | |
| 1 PLACE | ± | EC NO: 627599 DRWN: KTAKEUCHI01 2019/10/02 CHK'D: TKON 2019/11/19 APPR: ASHIMOTSU 2019/11/19 | |
| 0 PLACES | ± | INITIAL REVISION: DRWN: HKAWABATA 2004/05/21 APPR: MSASAO 2004/05/21 | |
| DRAFT WHERE APPLICABLE MUST REMAIN WITHIN DIMENSIONS | THIRD ANGLE PROJECTION | DRAWING A3-SIZE | SERIES 55100 |
| DOCUMENT NUMBER SD-55100-004 | | DOC TYPE PSD | DOC PART 001 |
| MATERIAL NUMBER SEE TABLE | | CUSTOMER GENERAL MARKET | SHEET NUMBER 1 OF 2 |

部品構成
PARTS CONSTRUCTION

| 部番 NO. | 部品名 PART NAME | 製品番号 ENG. NO. | 個数 QUAN. | 材質 MATERIAL |
|-----------|-----------------------------------------------------|------------------|-------------|----------------------------------------------------------------------------------------------------------------------------------------------------------------------------------------------------------------------------------------------------------------------------------|
| ① | ハウジングアッセンブリ HOUSING ASS'Y | 54180-0619 | 1 | ハウジング：ガラス入り耐熱樹脂 UL94V-0 色：黒 HOUSING : G.F. HEAT RESISTANT PLASTIC UL94V-0 COLOR : BLACK ターミナル：りん青銅 t0.3 TERMINAL : PHOSPHOR BRONZE t0.3 メッキ仕様 接点部：ニッケル下地金メッキ PLATING CONTACT AREA : GOLD OVER NICKEL 結線部：ニッケル下地錫メッキ WIRE TERMINATION AREA : TIN OVER NICKEL |
| ② | カバーA COVER A | 54181-0616 | 1 | カバーA：ガラス入りポリカーボネイト樹脂 COVER A : POLYCARBONATE G.F. UL94V-0 色：黒 UL94V-0 COLOR : BLACK スプリングラッチ：ステンレス鋼 t0.4 SPRING LATCH : STAINLESS STEEL t0.4 |
| ③ | カバーB COVER B | 54182-0606 | 1 | ガラス入りポリカーボネイト樹脂 UL94V-0 色：黒 POLYCARBONATE G.F. UL94V-0 COLOR : BLACK |
| ④ | シエル カバー SHELL COVER | 58299-0626 | 1 | 鋼 t0.4 STEEL t0.4 |
| ⑤ | シエル ボディ SHELL BODY | 58300-0626 | 1 | メッキ仕様：ニッケル下地、錫メッキ PLATING : NICKEL BASE, TIN PLATING |
| ⑥ | ケーブルクランプ CABLE CLAMP | 58303-0000 | 1 | ステンレス鋼 STAINLESS STEEL |
| ⑦ | 十字穴付きなべ小ネジ CROSS RECESSED PAN HEAD MACHINE SCREW | 59832-0009 | 2 | 黄銅(ネジサイズ：M2X4) BRASS (SCREW SIZE : M2X4) |

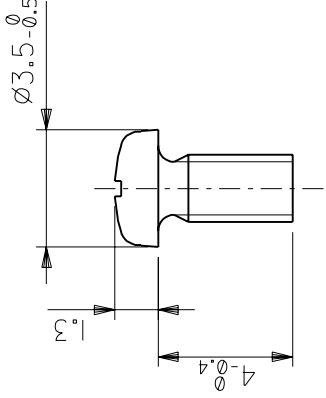
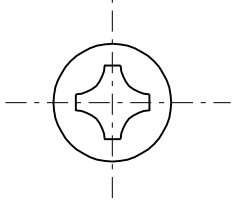
NOTES:
本製品は55100-0600の鉛フリー品である
THIS PRODUCT IS LEAD FREE OF 55100-0600.



| | | | |
|-------------|----------------|--------------|------------|
| BLACK | POLY BAG | 55100-0671 | 55100-***1 |
| COVER COLOR | PACKAGE METHOD | MATERIAL No. | MODEL No. |

| | | | | | |
|-----------------------------------------------------------------------------------------------------------------------------------------------|-------|------------------------------|---------|--------------------------|----------------|
| THIS DRAWING CONTAINS INFORMATION THAT IS PROPRIETARY TO MOLEX ELECTRONIC TECHNOLOGIES, LLC AND SHOULD NOT BE USED WITHOUT WRITTEN PERMISSION | | CURRENT REV DESC: | | molex | |
| DIMENSION UNITS | SCALE | EC NO: 627599 | | | |
| mm | NTS | DRWN: KTAKEUCHI01 2019/10/02 | | 2.0 I/O CONN.PLUG SET | |
| GENERAL TOLERANCES (UNLESS SPECIFIED) | | CHK'D: TKON 2019/11/19 | | PRODUCT CUSTOMER DRAWING | |
| ANGULAR TOL | ± ° | APPR: ASHIMOTSU 2019/11/19 | | DOCUMENT NUMBER | |
| 4 PLACES | ± | INITIAL REVISION: | | SD-55100-004 | |
| 3 PLACES | ± | DRWN: HKAWABATA 2004/05/21 | | DOC TYPE | |
| 2 PLACES | ± | APPR: MSASAO 2004/05/21 | | PSD | |
| 1 PLACE | ± | MATERIAL NUMBER | | DOC PART | |
| 0 PLACES | ± | SEE TABLE | | 001 | |
| DRAFT WHERE APPLICABLE MUST REMAIN WITHIN DIMENSIONS | | THIRD ANGLE PROJECTION | DRAWING | SERIES | CUSTOMER |
| | | | A3-SIZE | 55100 | GENERAL MARKET |
| | | | | | SHEET NUMBER |
| | | | | | 2 OF 2 |

DWG. NO.
SD-59832-0009



注記
NOTES.

1. 材質
MATERIAL

十字穴付きなべ小ネジ：黄銅

CROSS RECESSED PAN HEAD MACHINE SCREW:BRASS

規格番号：JIS B 1111

STANDARD NO.: JIS B 1111

ネジサイズ：M2X4

SCREW SIZE : M2X4

| | | |
|-------------------|-------------------|-------|
| 角度 | ANGLE | ±3° |
| 30 以上 OVER | | ±0.3 |
| 10 以上 OVER | 30 未満 UNDER | ±0.25 |
| 10 未満 UNDER | | ±0.2 |

一般公差
GENERAL TOLERANCES

：MM DIMENSIONS IN METRIC DO NOT SCALE DRAWING

| | | |
|------------------------|--------------------------------|-------------|
| 材料 MATERIAL | 注記参照 SEE NOTES | |
| 仕上げ FINISH | — # — | |
| 適用電線範囲 WIRE RANGE | — # — | |
| 被覆外径 INS. RANGE | — # — | |
| DRAWN BY Y. TETSUKA | CHK'D BY S. Ogasawa / S.Oto | 尺度 SCALE |
| APP'D BY S. Ogasawa | 尺度 SCALE | 5-1 |
| DR. J.M. | DATE | '98/11/20 |
| DR. T.S.A | DATE | '98/08/24 |
| A | REVISION RECORD | |
| 0 | 変更内容 REVISION | |
| 記号 LTR | 変更内容 REVISION RECORD | |

| | | |
|------------------------|-------------------------------------|-------------|
| 材料 MATERIAL | MOLEX-JAPAN CO.,LTD. 日本モレックス株式会社 | |
| 仕上がり FINISH | — # — | |
| 適用電線範囲 WIRE RANGE | — # — | |
| 被覆外径 INS. RANGE | — # — | |
| DRAWN BY Y. TETSUKA | CHK'D BY S. Ogasawa / S.Oto | 尺度 SCALE |
| APP'D BY S. Ogasawa | 尺度 SCALE | 5-1 |
| DR. J.M. | DATE | '98/11/20 |
| DR. T.S.A | DATE | '98/08/24 |
| A | REVISION RECORD | |
| 0 | 変更内容 REVISION | |
| 記号 LTR | 変更内容 REVISION RECORD | |

59832-0009
ENG.No.

THIS DRAWING CONTAINS INFORMATION THAT IS PROPRIETARY TO MOLEX(JAPAN) AND SHOULD NOT BE USED WITHOUT WRITTEN PERMISSION
本図面は日本モレックス(株)の所有する情報を含むもので、当社の許可なく複製を禁止する。
FNI-01C(032)MX-1-33

55983209.DCN
A