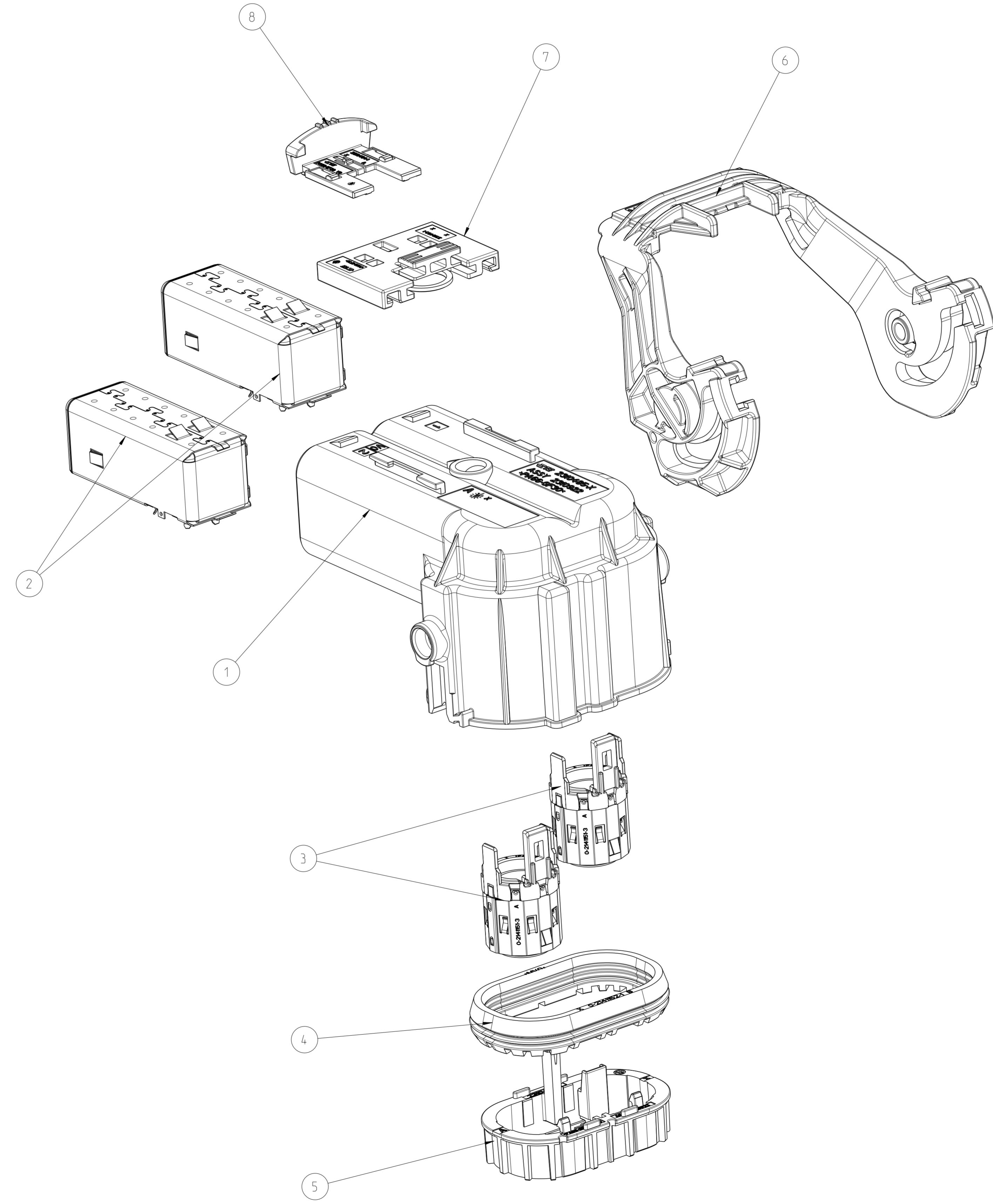
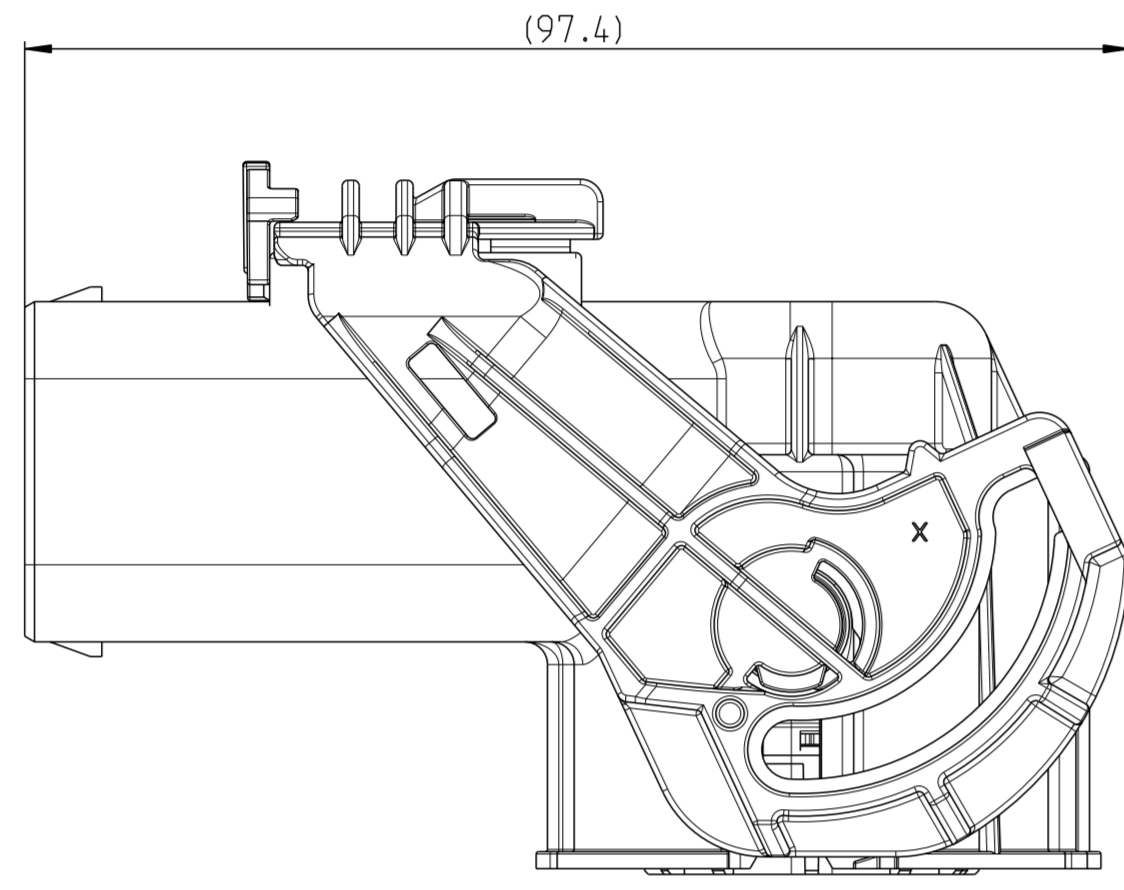


CODINGS

REVISIONS				
P	REV	DESCRIPTION	DATE	APPV
B1	REVISED	ECO-19-000597	16 JAN 19	SX EJ
B2	REVISED	ECO-19-006021	16 APR 19	ZZ EJ
B3	REVISED	ECO-2021-01-09810-E	12 JAN 21	FS EJ
B4	ECO-22-155256		19 MAY 22	LY EJ



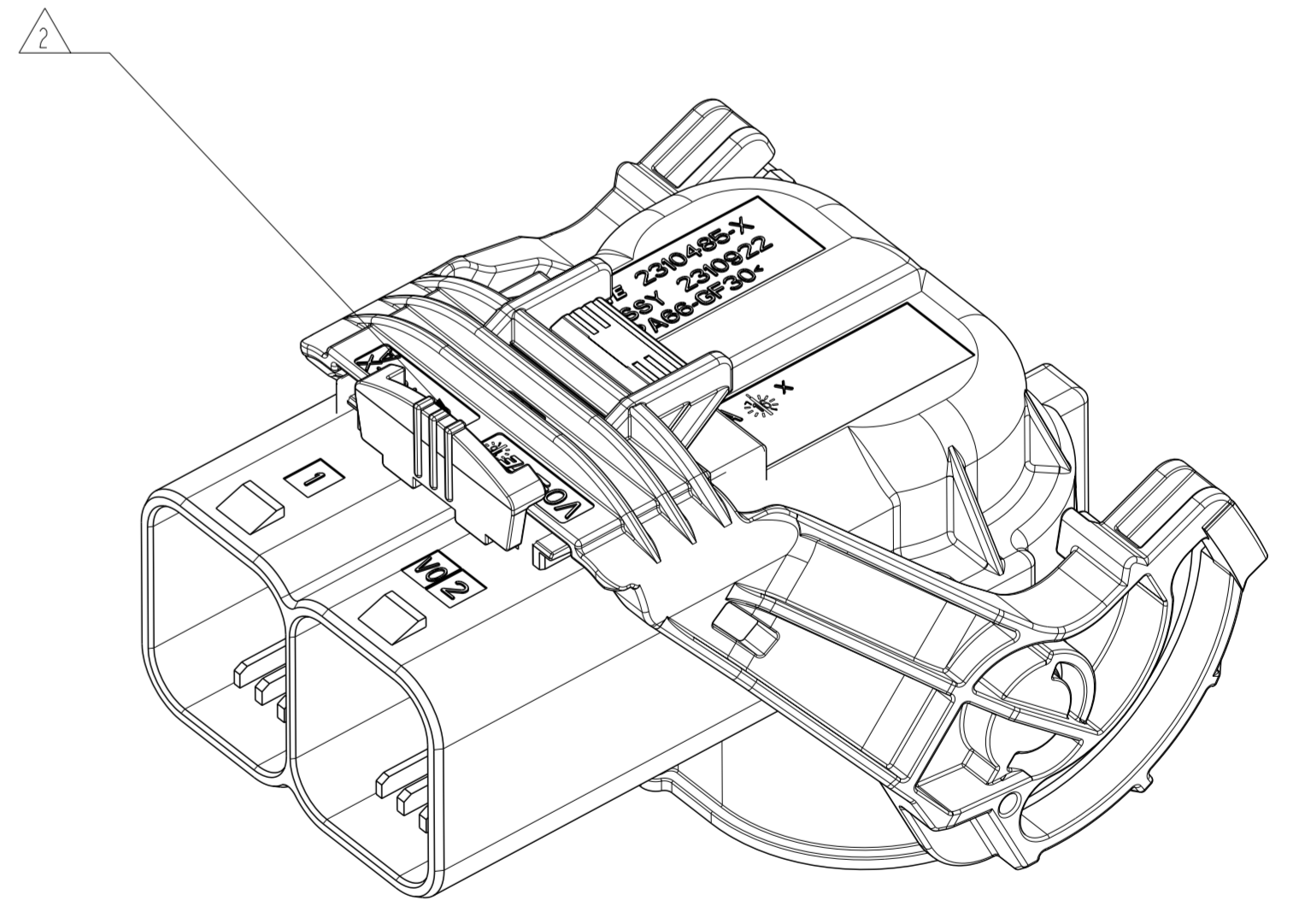
NOTES  
 ▲ SHIELDING INFORMATION AND FIRE RETARTANT CLASS FOR PLASTIC PART SEE TABLE BELOW

P/N	SHIELDING INFORMATION	FIRE RETARTANT CLASS OF PLASTIC MATERIAL	REFERENCE DRAWING/P/N FOR MISSING DIMENSION
2310922-1	COPPER ALLOY 40 PLATING (Tmax 140°C)	V0	214.1154(1)-214.1154-1)
2310922-2			214.1154(1)-214.1154-2)
2310922-3			214.1154(1)-214.1154-3)
2310922-4			214.1154(1)-214.1154-4)
1/3-2310922-1	COPPER ALLOY PRE-TIN PLATING (Tmax 125°C)	HB	214.1154(1)-214.1154-1)
1/3-2310922-2			214.1154(1)-214.1154-2)
1/3-2310922-3			214.1154(1)-214.1154-3)
1/3-2310922-4			214.1154(1)-214.1154-4)
2-2310922-1			214.1154(1)-214.1154-1)
2-2310922-2			214.1154(1)-214.1154-2)
2-2310922-3			214.1154(1)-214.1154-3)
2-2310922-4			214.1154(1)-214.1154-4)

▲ DELIVERY CONDITION: LEVER IN END-LOCKING POSITION, CPA CLOSED

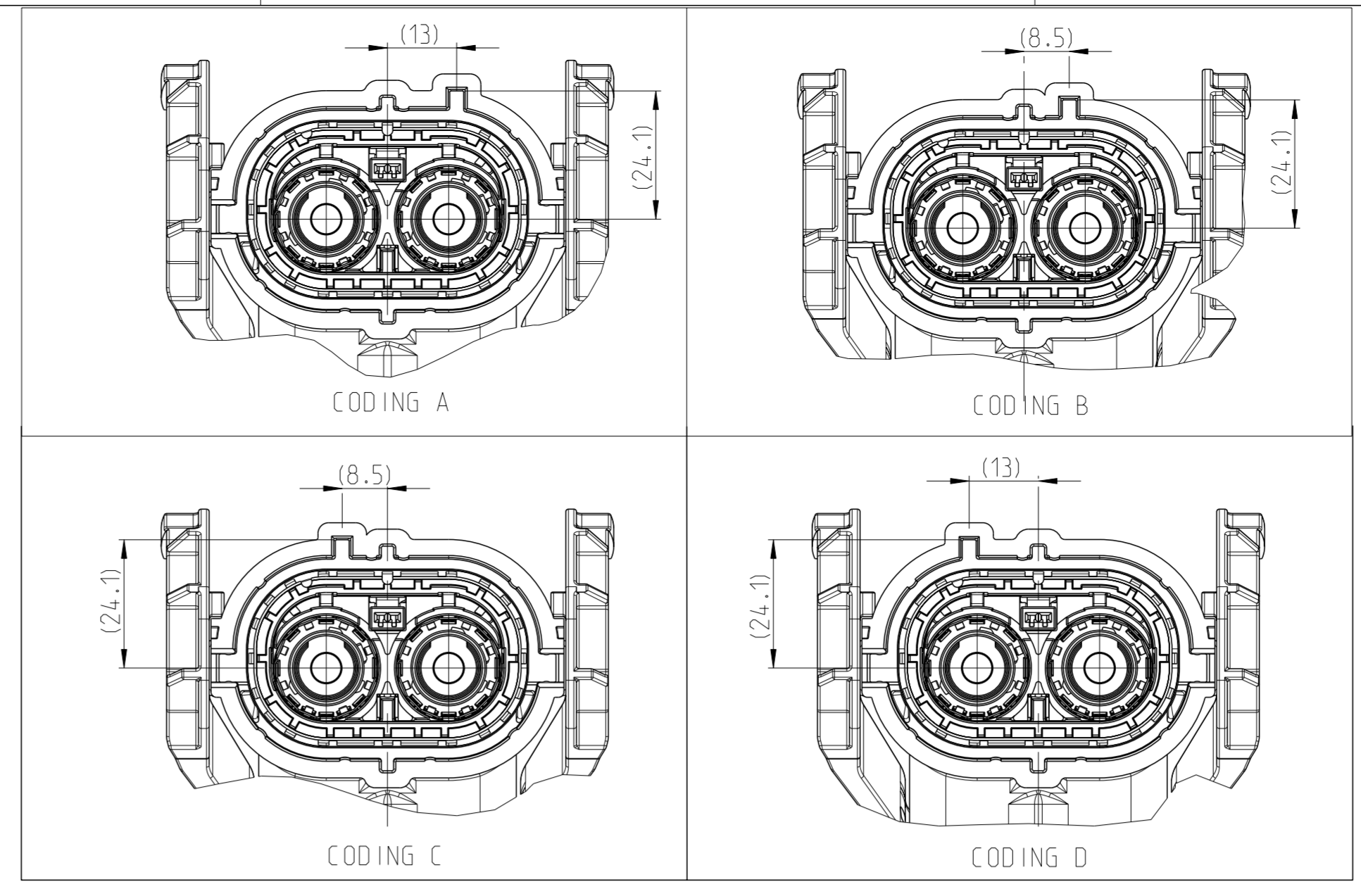
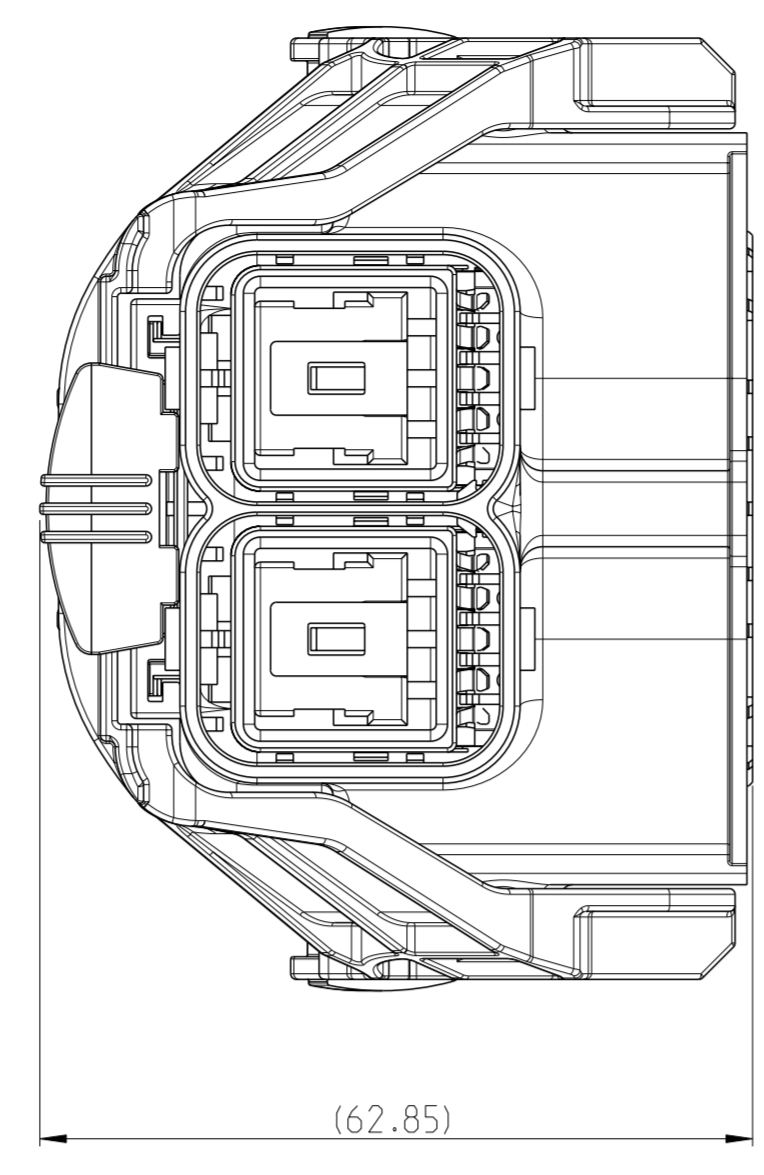
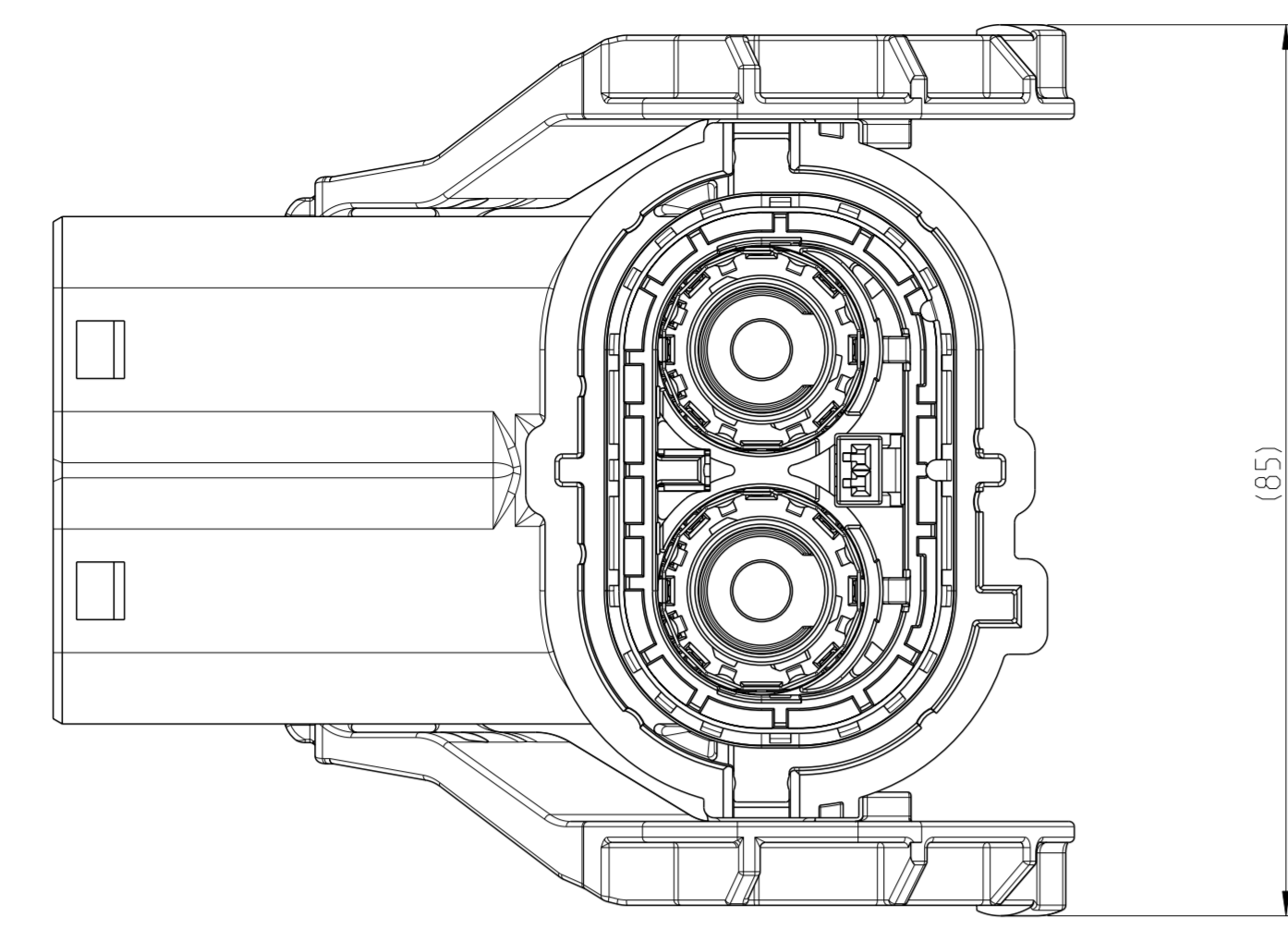
3 PACKAGED IN CORRUGATED SHIPPING BOX

CD	TE ASSY-NO.	ASSY-REV	QTY	DESCRIPTION	MATERIAL	WEIGHT (g)	SURFACE COLOUR	TEM			
D	2310922-4	A	1	CPA	PA66-GF V0 ▲	-	RED SIM RAL 3000	8			
			1	ADAPTER	PA66-GF V0 ▲	-	DUSTY GRAY SIM RAL 7037	7			
			1	LEVER, 2POS., 90 DEG	PA66-GF V0 ▲	-	WHITE SIM RAL 9010 (9001)	6			
			1	2POS. MCON-1.2. REC HSG, 90 DEG. Assy	-	-	-	5			
			1	RADIAL SEAL	SILICONE RUBBER	(14.1.6)	WHITE SIM RAL 9010	4			
			2	ASSY. ISULATION INSERT - SHIELDING	▲	-	-	3			
			2	ASSY. ISULATION INSERT - SHIELDING	▲	-	-	2			
			1	2POS. 8MM HV. REC HSG, 90 DEG. SEALED	PA66-GF V0 ▲	-	ORANGE SIM RAL 2003	1			
			C	2310922-3	A	1	CPA	PA66-GF V0 ▲	-	RED SIM RAL 3000	8
						1	ADAPTER	PA66-GF V0 ▲	-	DUSTY GRAY SIM RAL 7037	7
1	LEVER, 2POS., 90 DEG	PA66-GF V0 ▲				-	BLACK SIM RAL 9005 (9011)	6			
1	2POS. MCON-1.2. REC HSG, 90 DEG. Assy	-				-	-	5			
1	RADIAL SEAL	SILICONE RUBBER				(14.1.6)	WHITE SIM RAL 9010	4			
2	ASSY. ISULATION INSERT - SHIELDING	▲				-	-	3			
2	ASSY. ISULATION INSERT - SHIELDING	▲				-	-	2			
1	2POS. 8MM HV. REC HSG, 90 DEG. SEALED	PA66-GF V0 ▲				-	ORANGE SIM RAL 2003	1			
B	2310922-2	A				1	CPA	PA66-GF V0 ▲	-	RED SIM RAL 3000	8
						1	ADAPTER	PA66-GF V0 ▲	-	DUSTY GRAY SIM RAL 7037	7
			1	LEVER, 2POS., 90 DEG	PA66-GF V0 ▲	-	WHITE SIM RAL 9010 (9001)	6			
			1	2POS. MCON-1.2. REC HSG, 90 DEG. Assy	-	-	-	5			
			1	RADIAL SEAL	SILICONE RUBBER	(14.1.6)	WHITE SIM RAL 9010	4			
			2	ASSY. ISULATION INSERT - SHIELDING	▲	-	-	3			
			2	ASSY. ISULATION INSERT - SHIELDING	▲	-	-	2			
			1	2POS. 8MM HV. REC HSG, 90 DEG. SEALED	PA66-GF V0 ▲	-	ORANGE SIM RAL 2003	1			
			A	2310922-1	A	1	CPA	PA66-GF V0 ▲	-	RED SIM RAL 3000	8
						1	ADAPTER	PA66-GF V0 ▲	-	DUSTY GRAY SIM RAL 7037	7
1	LEVER, 2POS., 90 DEG	PA66-GF V0 ▲				-	BLACK SIM RAL 9005 (9011)	6			
1	2POS. MCON-1.2. REC HSG, 90 DEG. Assy	-				-	-	5			
1	RADIAL SEAL	SILICONE RUBBER				(14.1.6)	WHITE SIM RAL 9010	4			
2	ASSY. ISULATION INSERT - SHIELDING	▲				-	-	3			
2	ASSY. ISULATION INSERT - SHIELDING	▲				-	-	2			
1	2POS. 8MM HV. REC HSG, 90 DEG. SEALED	PA66-GF V0 ▲				-	ORANGE SIM RAL 2003	1			

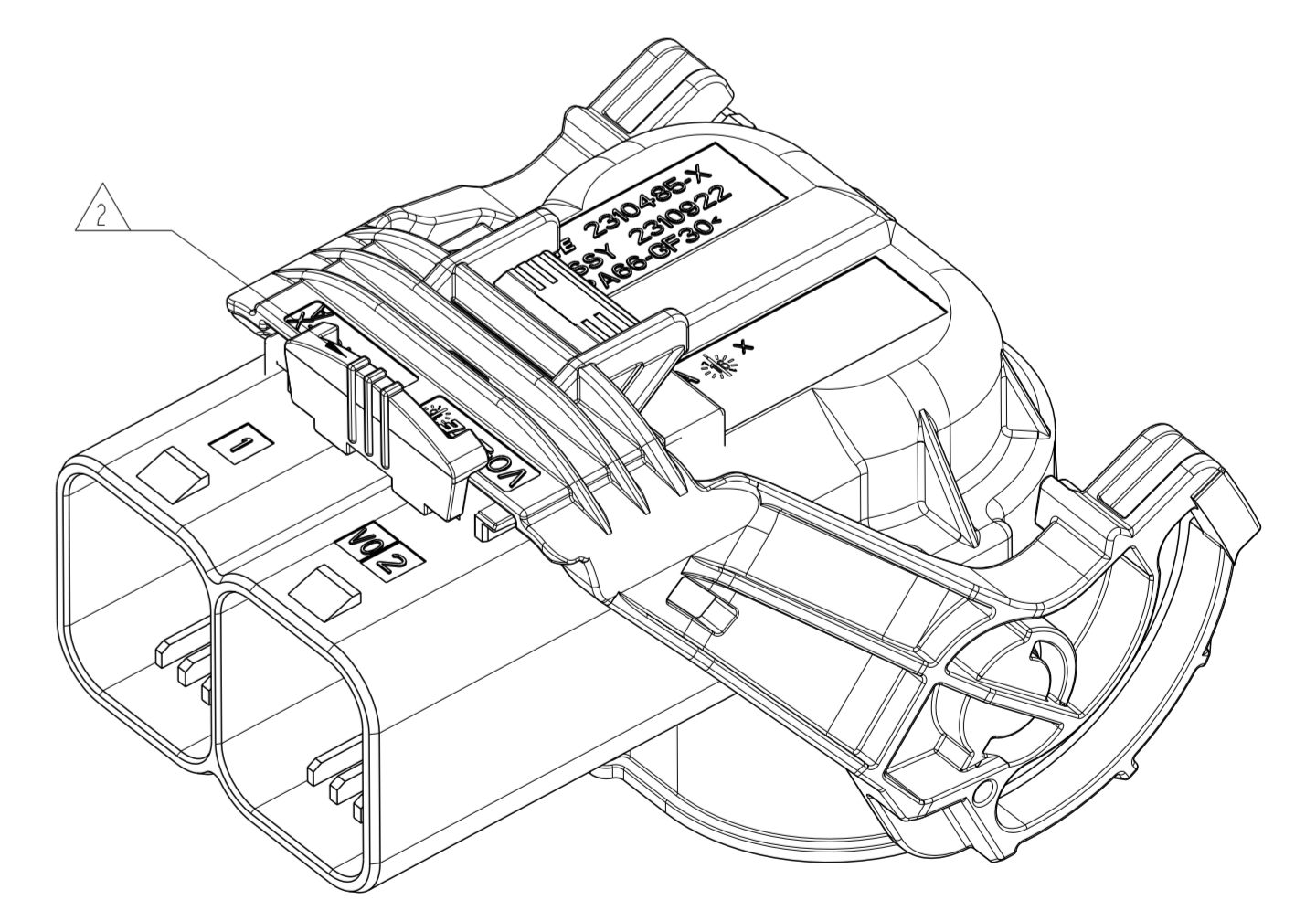
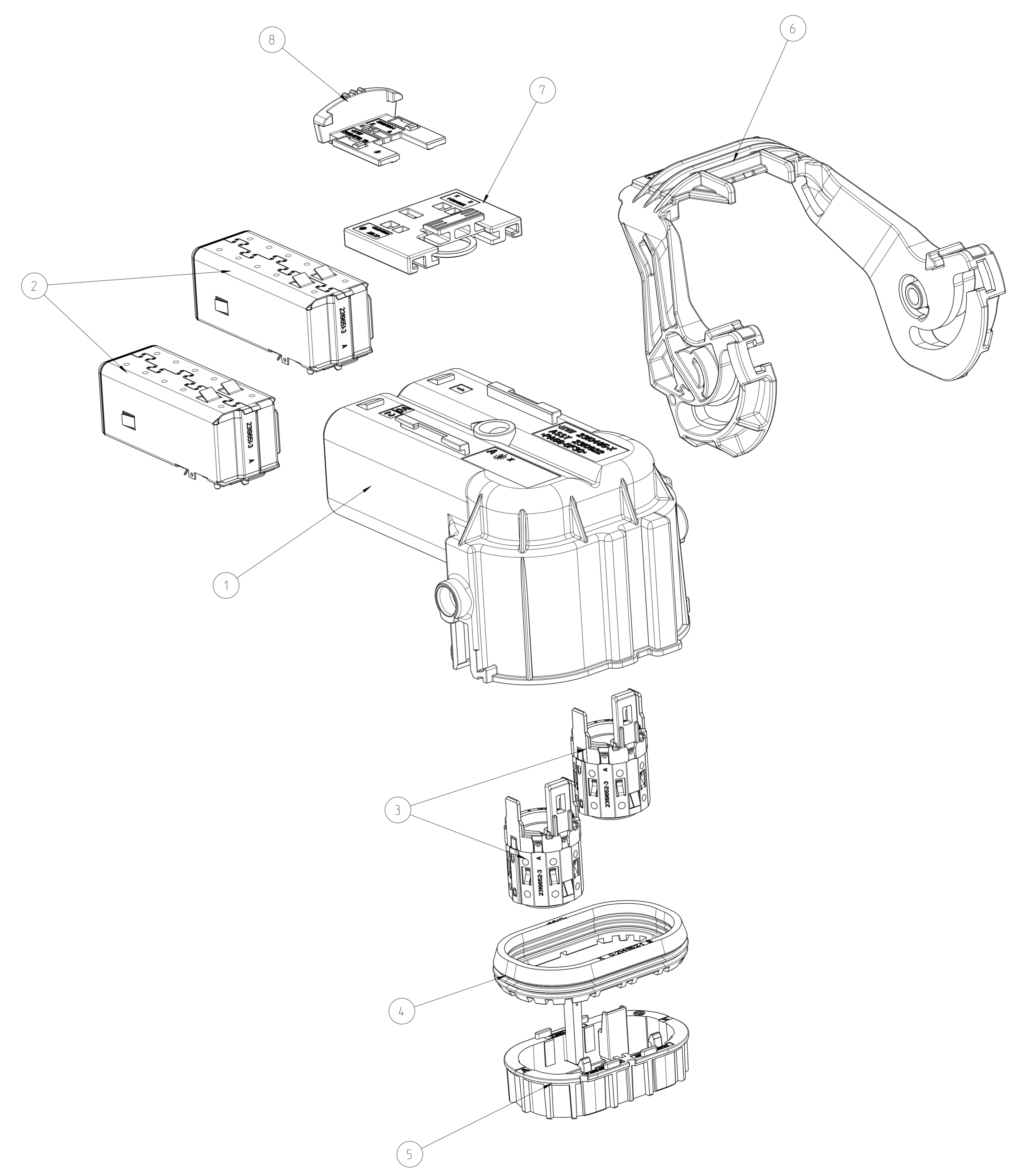
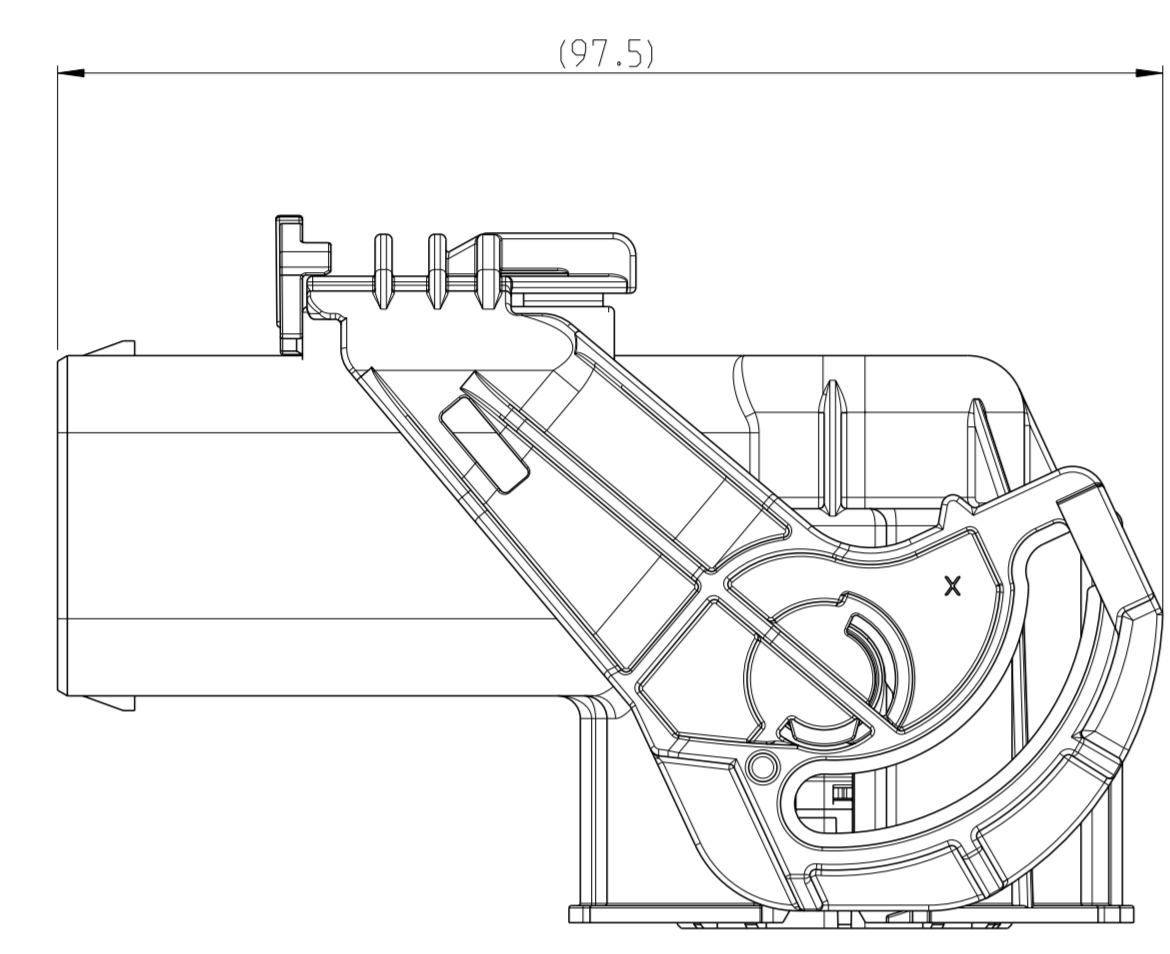


-1 AS SHOWN

THIS DRAWING IS A CONTROLLED DOCUMENT.		REV	12 JUL 2017	DATE		TE Connectivity	
DIMENSIONS:	UNIT:	DESIGNED BY:	J.L.L.	24 JUL 2017	CHK:	S.Y.WANG	24 JUL 2017
TOLERANCES UNLESS OTHERWISE SPECIFIED:		APPV:	M.V.LIN	02 AUG 2017	NAME:	2POS., 8mm HV. REC HSG, 90 DEG. ASSY	
±0.5	±0.1	DRWG SPEC:	REFER TO 108-32233		STATE:	SEALED	
±0.01	±0.005	INSPECTION SPEC:	REFER TO 114-32213		SIZE:	A0	
±0.002	±0.001	FINISH SPEC:	REFER TO 114-32213		CASE CODE:	00779	
FINISH SPEC:		CUSTOMER DRAWING:	SCALE:		SHEET:		11



CODINGS



COD.	TE	ASSY-NO.	ASSY-REV	QTY	DESCRIPTION	MATERIAL	WEIGHT (g)	SURFACE COLOUR	ITEM
D	1-2310922-4	A	1	CPA	PA66-GF V0	(14.1.6)	RED SIM RAL 3000	8	8
			1	ADAPTER	PA66-GF V0		DUSTY GRAY SIM RAL 7037	7	
			1	LEVER, 2POS, 90 DEG	PA66-GF V0		WHITE SIM RAL 9010 (9001)	6	
			1	2POS, MCON-1.2, REC HSG, 90 DEG, Assy	-		-	5	
			1	RADIAL SEAL	SILICONE RUBBER		WHITE SIM RAL 9010	4	
			2	ASSY, ISULATION INSERT - SHIELDING	△		-	3	
			2	ASSY, ISULATION INSERT - SHIELDING	△		-	2	
			1	2POS, 8MM HV, REC HSG, 90 DEG, SEALED	PA66-GF V0		ORANGE SIM RAL 2003	1	
C	1-2310922-3	A	1	CPA	PA66-GF V0	(14.1.6)	RED SIM RAL 3000	8	8
			1	ADAPTER	PA66-GF V0		DUSTY GRAY SIM RAL 7037	7	
			1	LEVER, 2POS, 90 DEG	PA66-GF V0		BLACK SIM RAL 9005 (9011)	6	
			1	2POS, MCON-1.2, REC HSG, 90 DEG, Assy	-		-	5	
			1	RADIAL SEAL	SILICONE RUBBER		WHITE SIM RAL 9010	4	
			2	ASSY, ISULATION INSERT - SHIELDING	△		-	3	
			2	ASSY, ISULATION INSERT - SHIELDING	△		-	2	
			1	2POS, 8MM HV, REC HSG, 90 DEG, SEALED	PA66-GF V0		ORANGE SIM RAL 2003	1	
B	1-2310922-2	B	1	CPA	PA66-GF V0	(14.1.6)	RED SIM RAL 3000	8	8
			1	ADAPTER	PA66-GF V0		DUSTY GRAY SIM RAL 7037	7	
			1	LEVER, 2POS, 90 DEG	PA66-GF V0		WHITE SIM RAL 9010 (9001)	6	
			1	2POS, MCON-1.2, REC HSG, 90 DEG, Assy	-		-	5	
			1	RADIAL SEAL	SILICONE RUBBER		WHITE SIM RAL 9010	4	
			2	ASSY, ISULATION INSERT - SHIELDING	△		-	3	
			2	ASSY, ISULATION INSERT - SHIELDING	△		-	2	
			1	2POS, 8MM HV, REC HSG, 90 DEG, SEALED	PA66-GF V0		ORANGE SIM RAL 2003	1	
A	1-2310922-1	B	1	CPA	PA66-GF V0	(14.1.6)	RED SIM RAL 3000	8	8
			1	ADAPTER	PA66-GF V0		DUSTY GRAY SIM RAL 7037	7	
			1	LEVER, 2POS, 90 DEG	PA66-GF V0		BLACK SIM RAL 9005 (9011)	6	
			1	2POS, MCON-1.2, REC HSG, 90 DEG, Assy	-		-	5	
			1	RADIAL SEAL	SILICONE RUBBER		WHITE SIM RAL 9010	4	
			2	ASSY, ISULATION INSERT - SHIELDING	△		-	3	
			2	ASSY, ISULATION INSERT - SHIELDING	△		-	2	
			1	2POS, 8MM HV, REC HSG, 90 DEG, SEALED	PA66-GF V0		ORANGE SIM RAL 2003	1	

REVISIONS			
REV	DATE	BY	APPD
1			

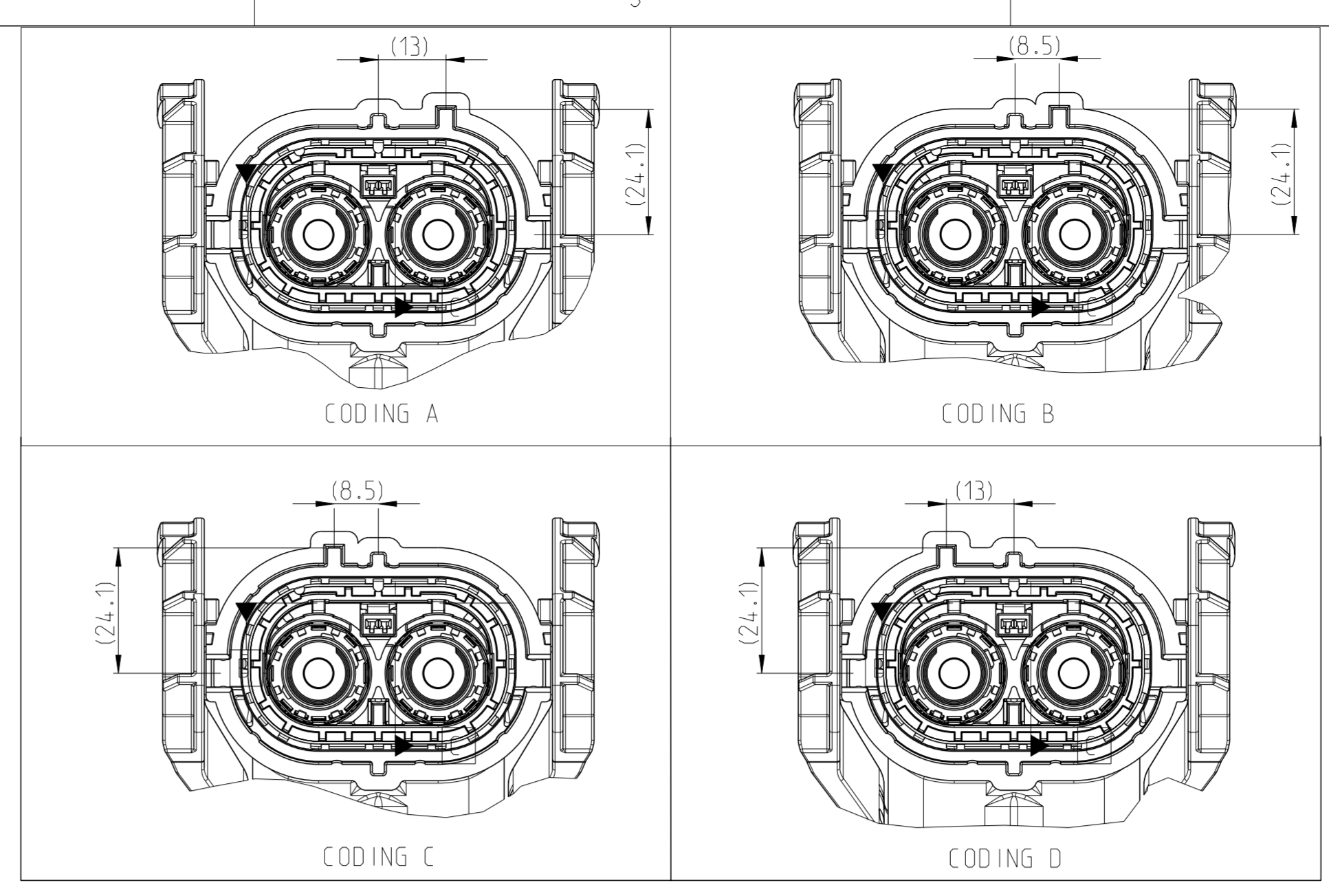
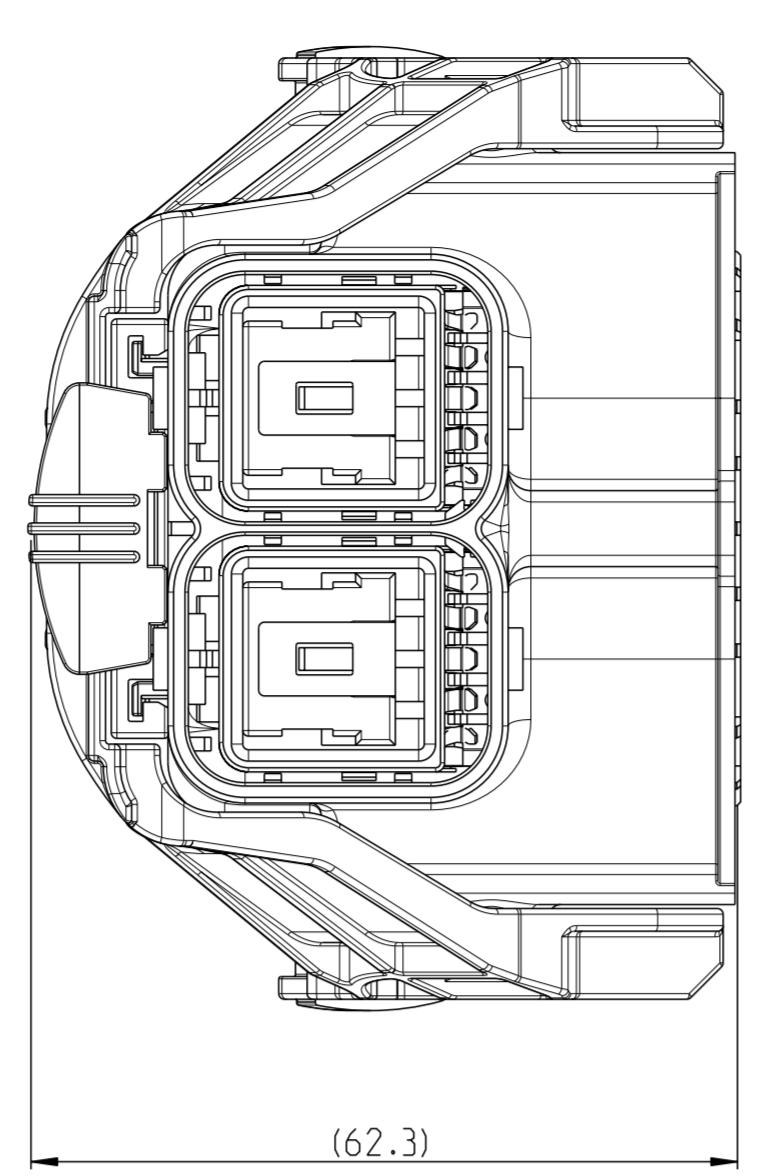
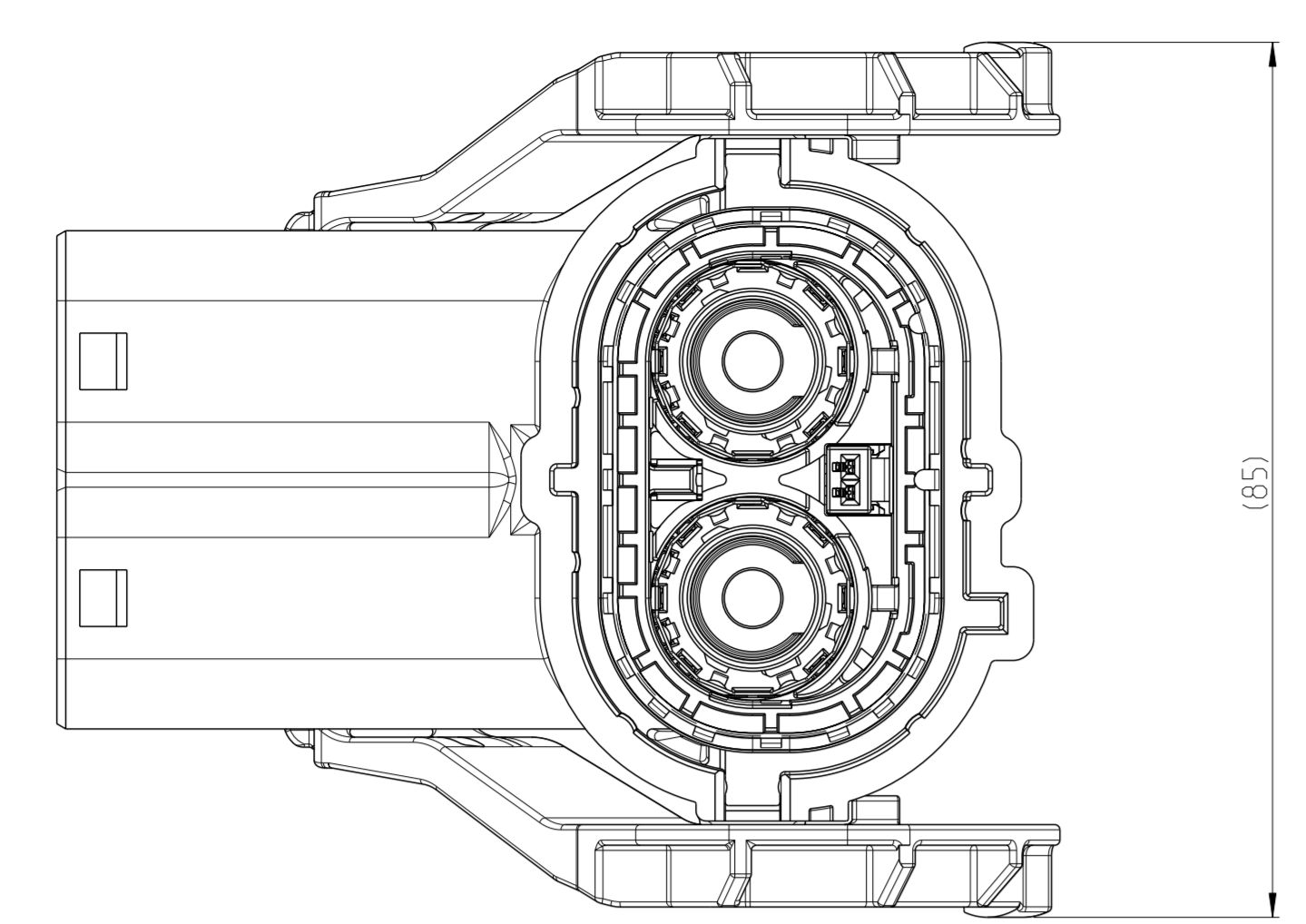
THIS DRAWING IS A CONTROLLED DOCUMENT. DATE: 12 JUL 2017. CHG: J.L.L. 24 JUL 2017. OPERATIVE SHEET NO: 02AUG2017. NAME: SY WANG. DRAWN BY: J.Y. LIN. APPROVED BY: REFER TO 100-32233. REVISION SPEC: REFER TO 114-32213. SIZE: A0. CASE CODE: 00779. DRAWING NO: 2310922. SCALE: 1:1. SHEET: 2 OF 4. RESTRICTED TO: CUSTOMER DRAWING.

STE TE Connectivity

2POS, 8mm HV, REC HSG, 90 DEG, ASSY SEALED

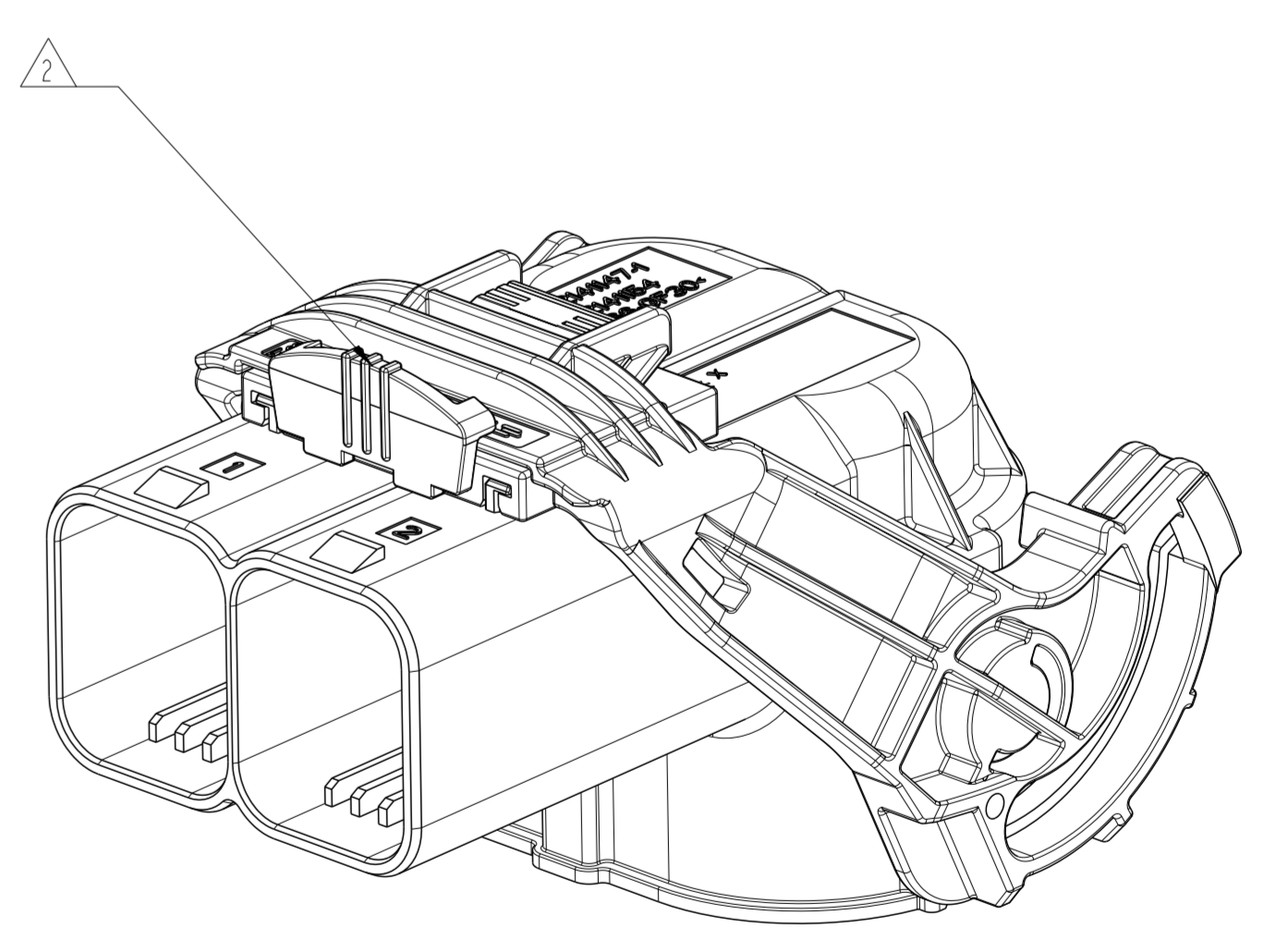
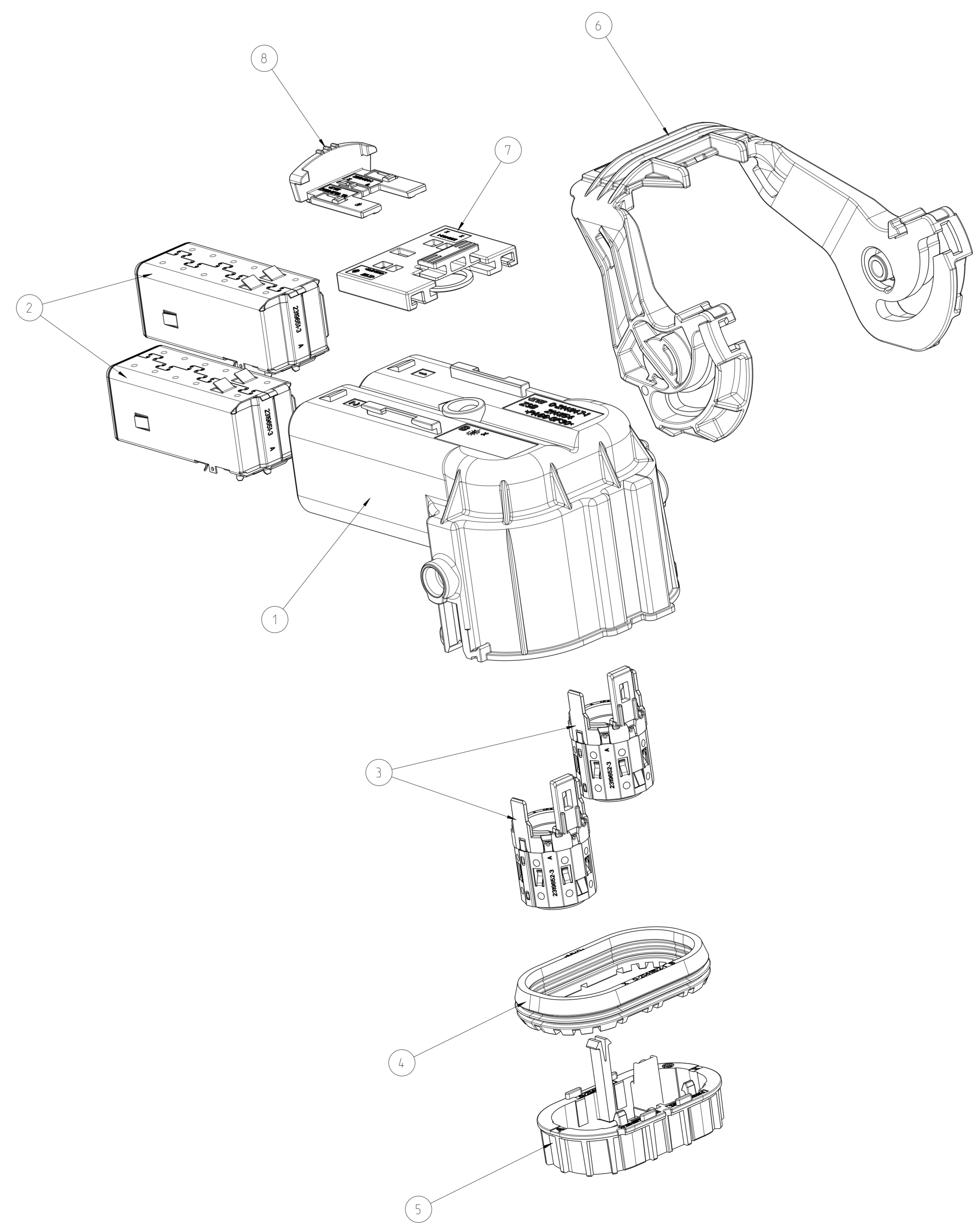
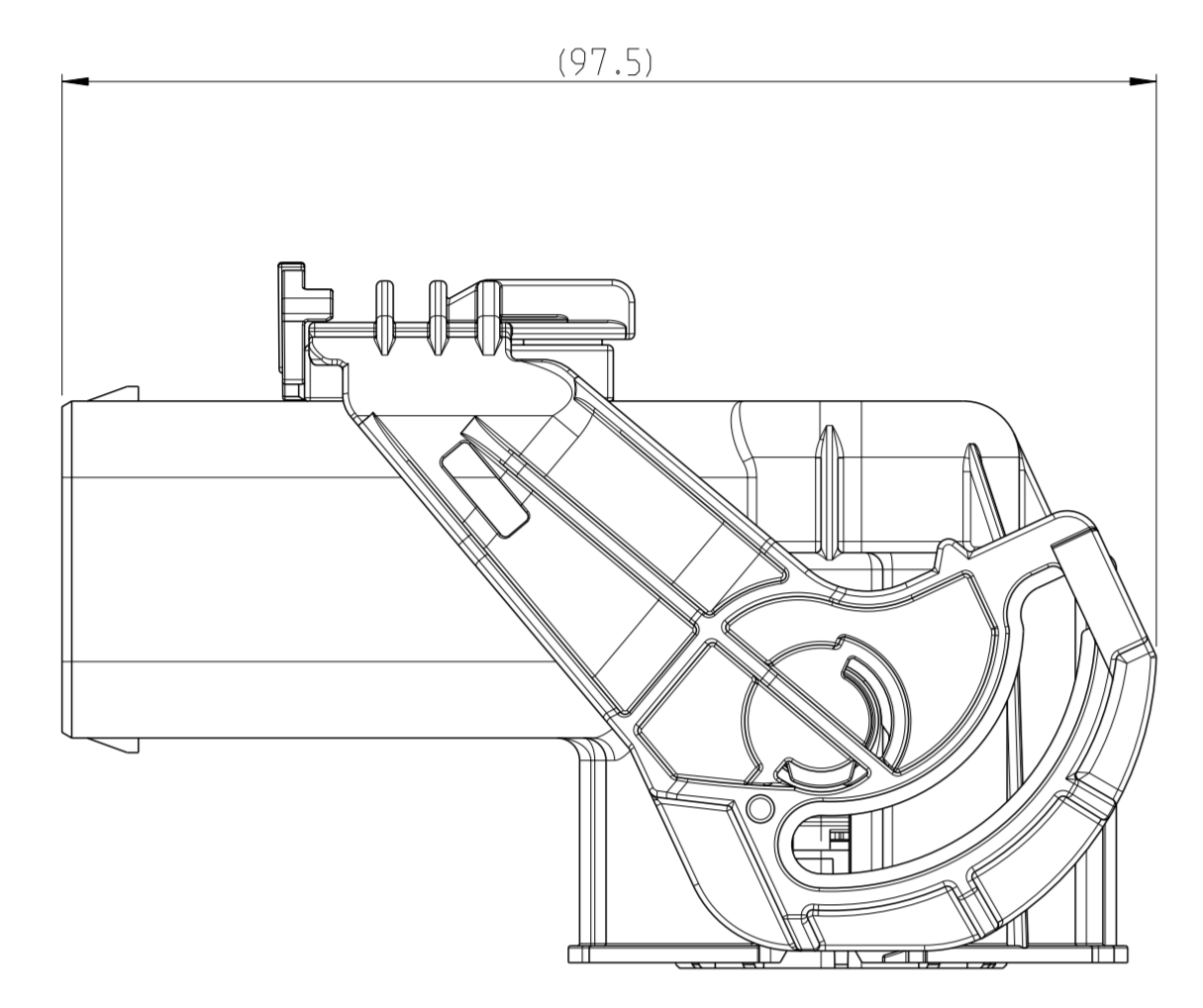
1--1 AS SHOWN





CODINGS

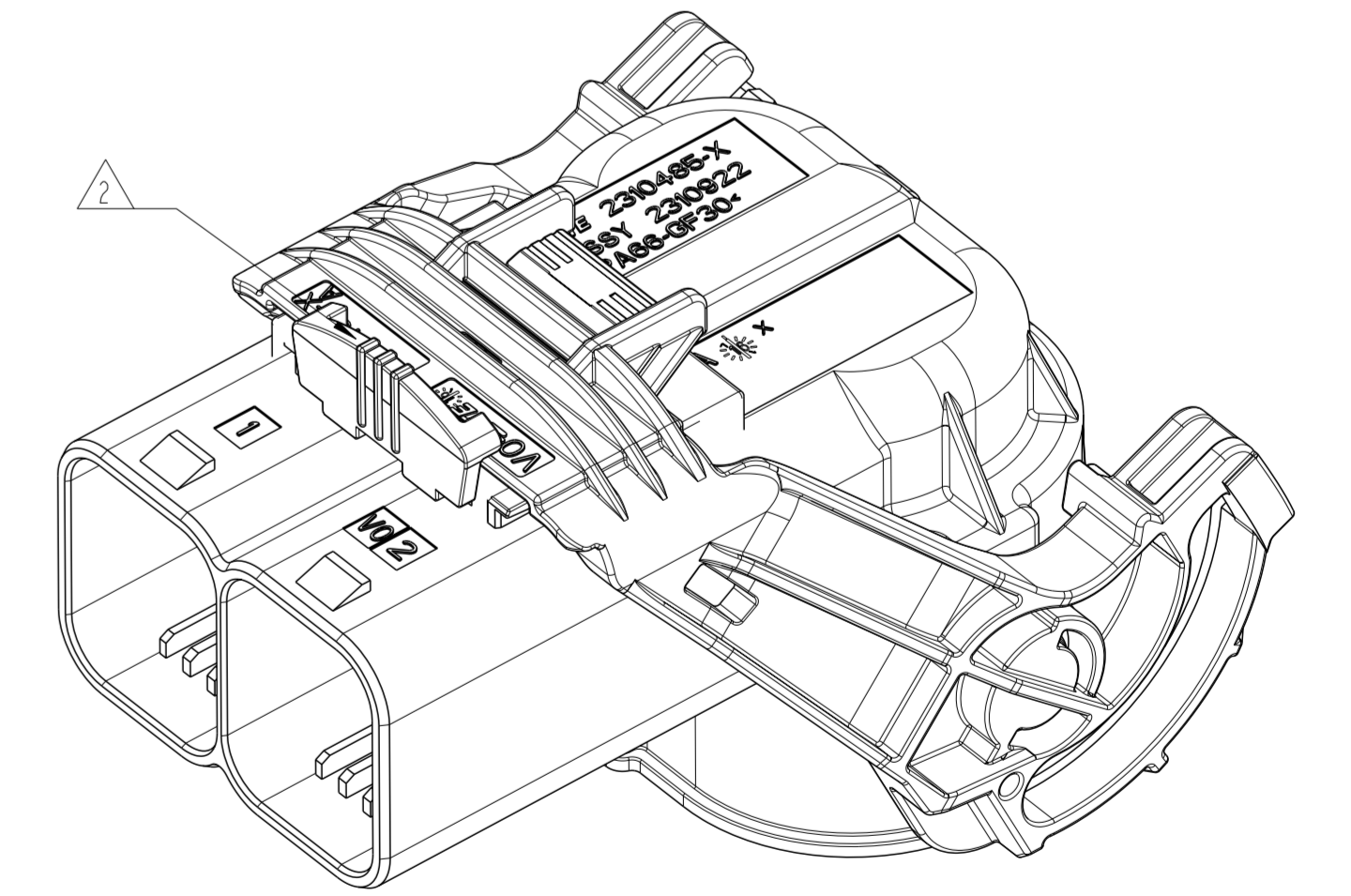
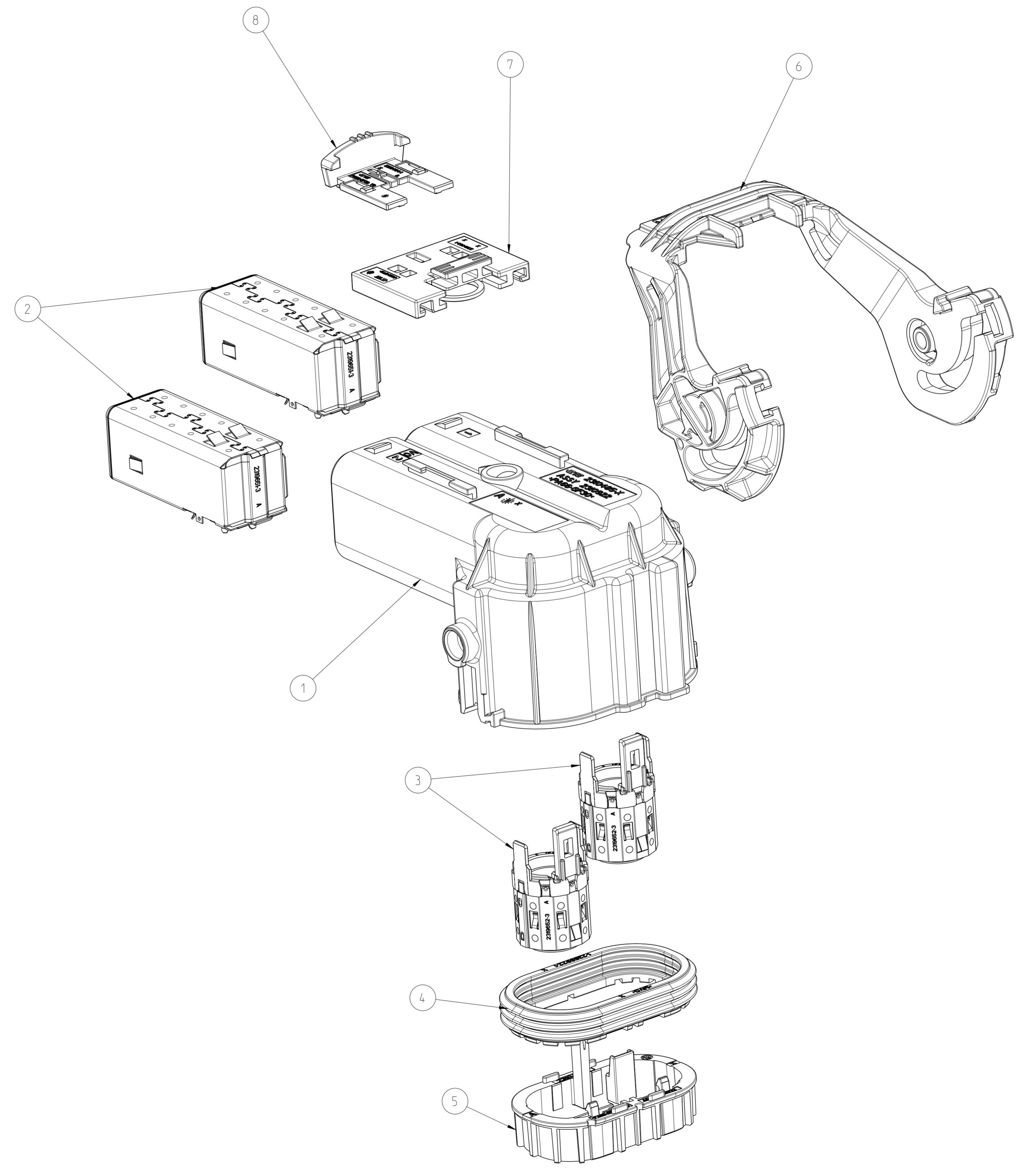
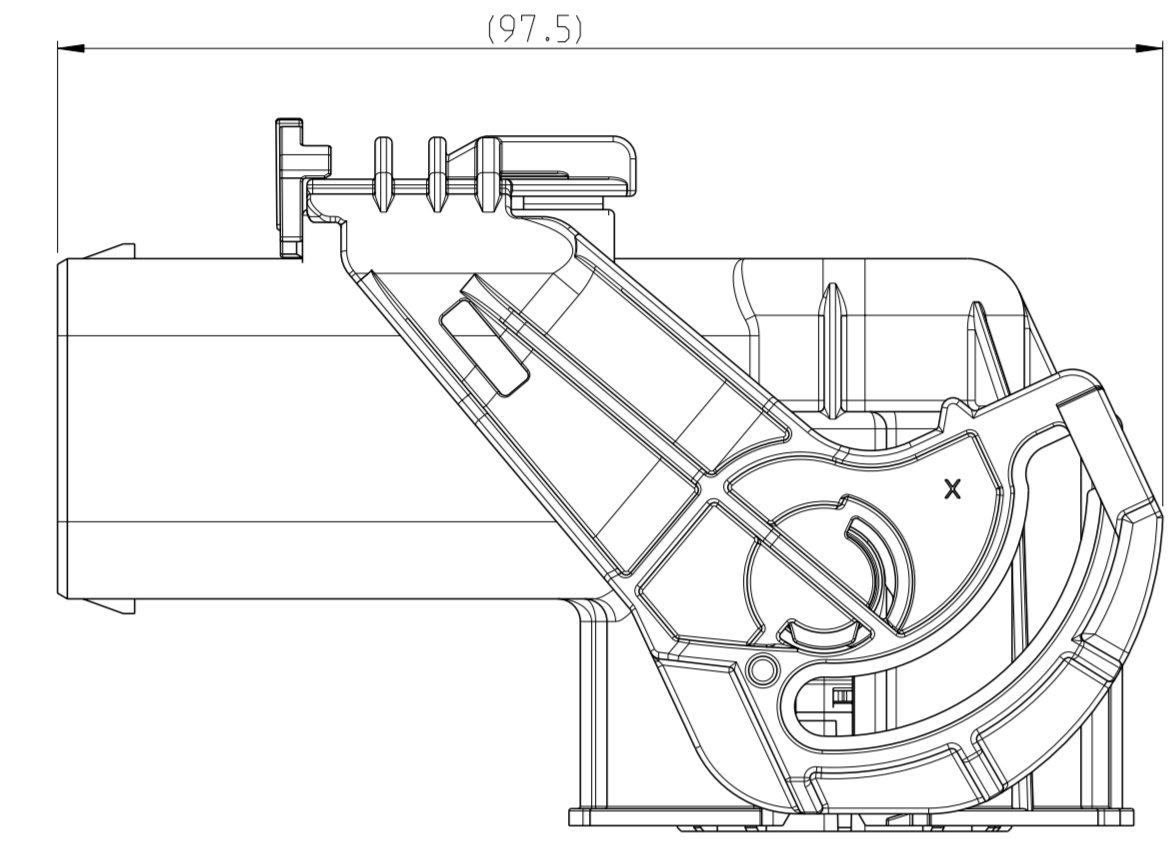
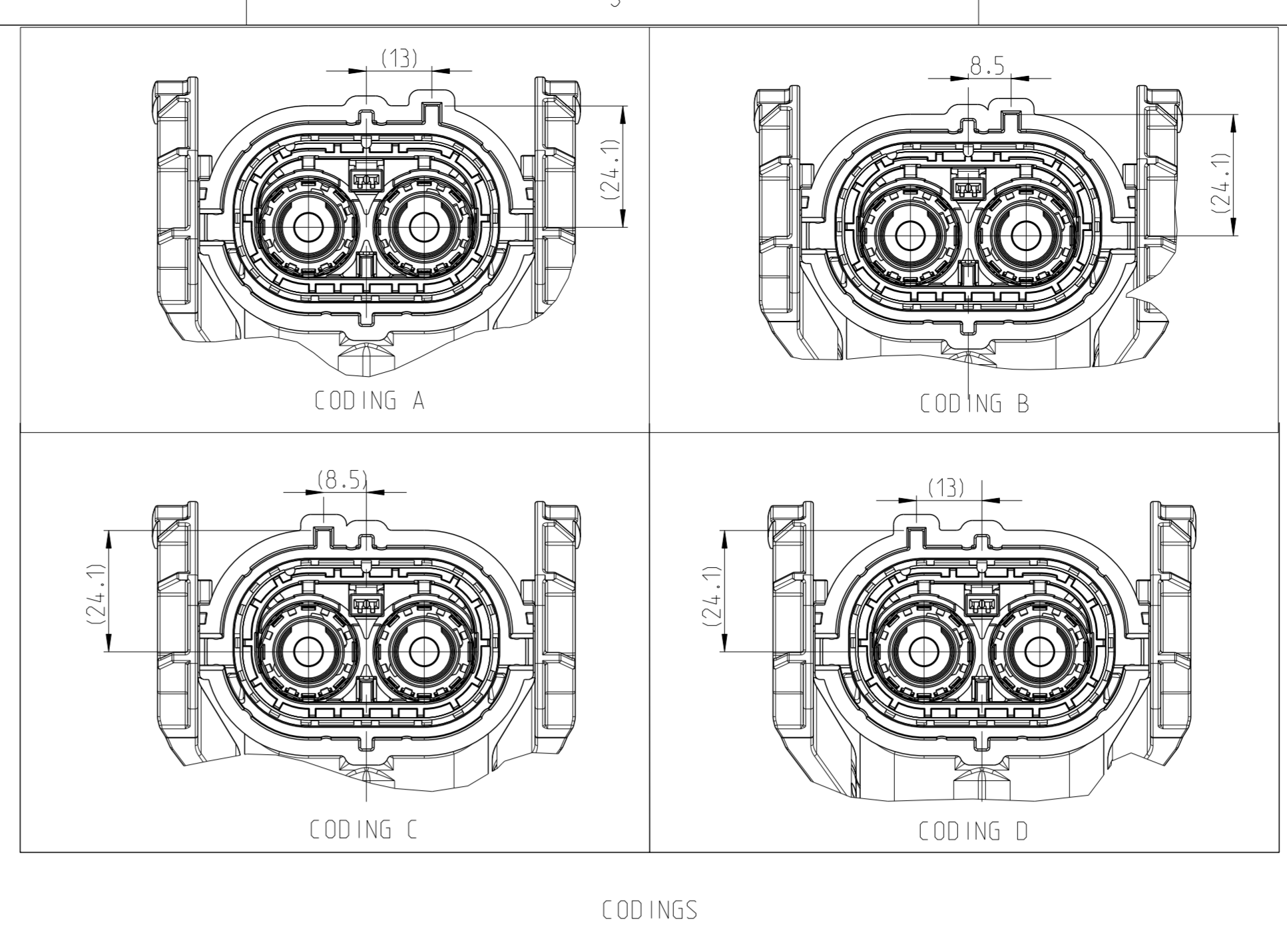
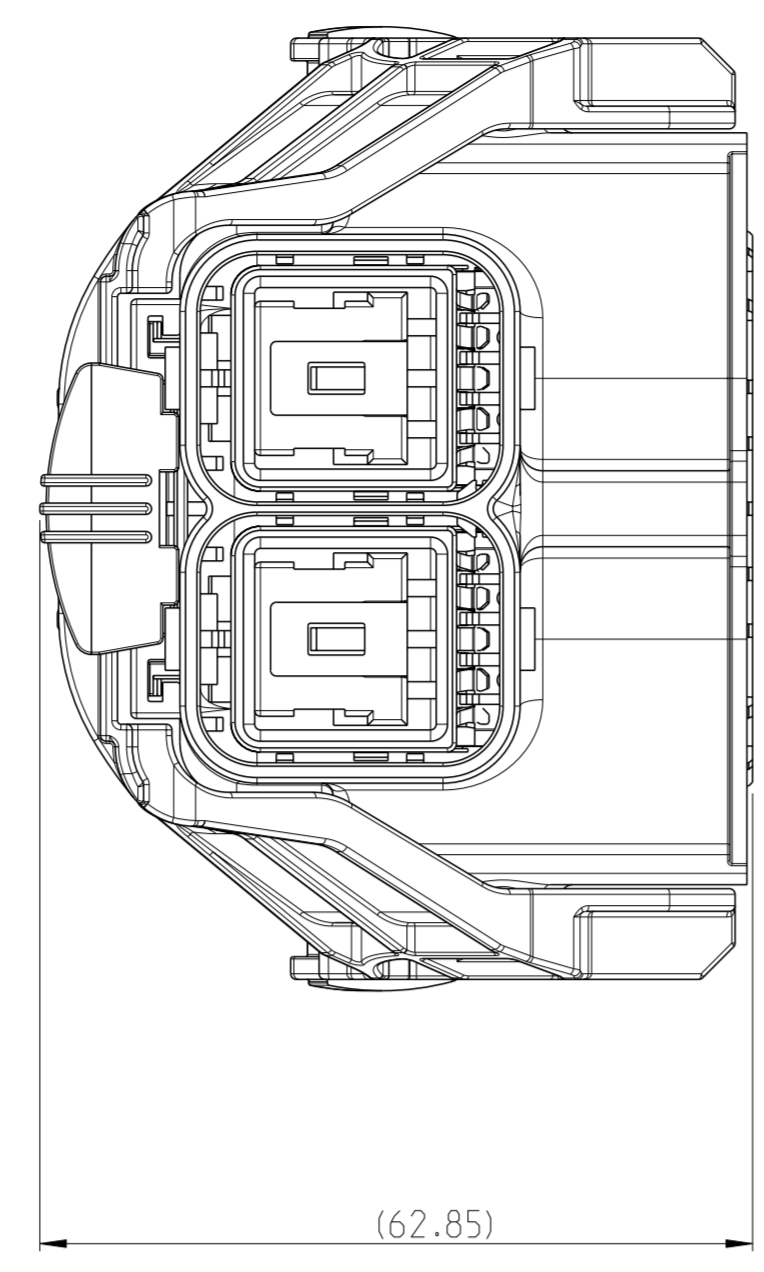
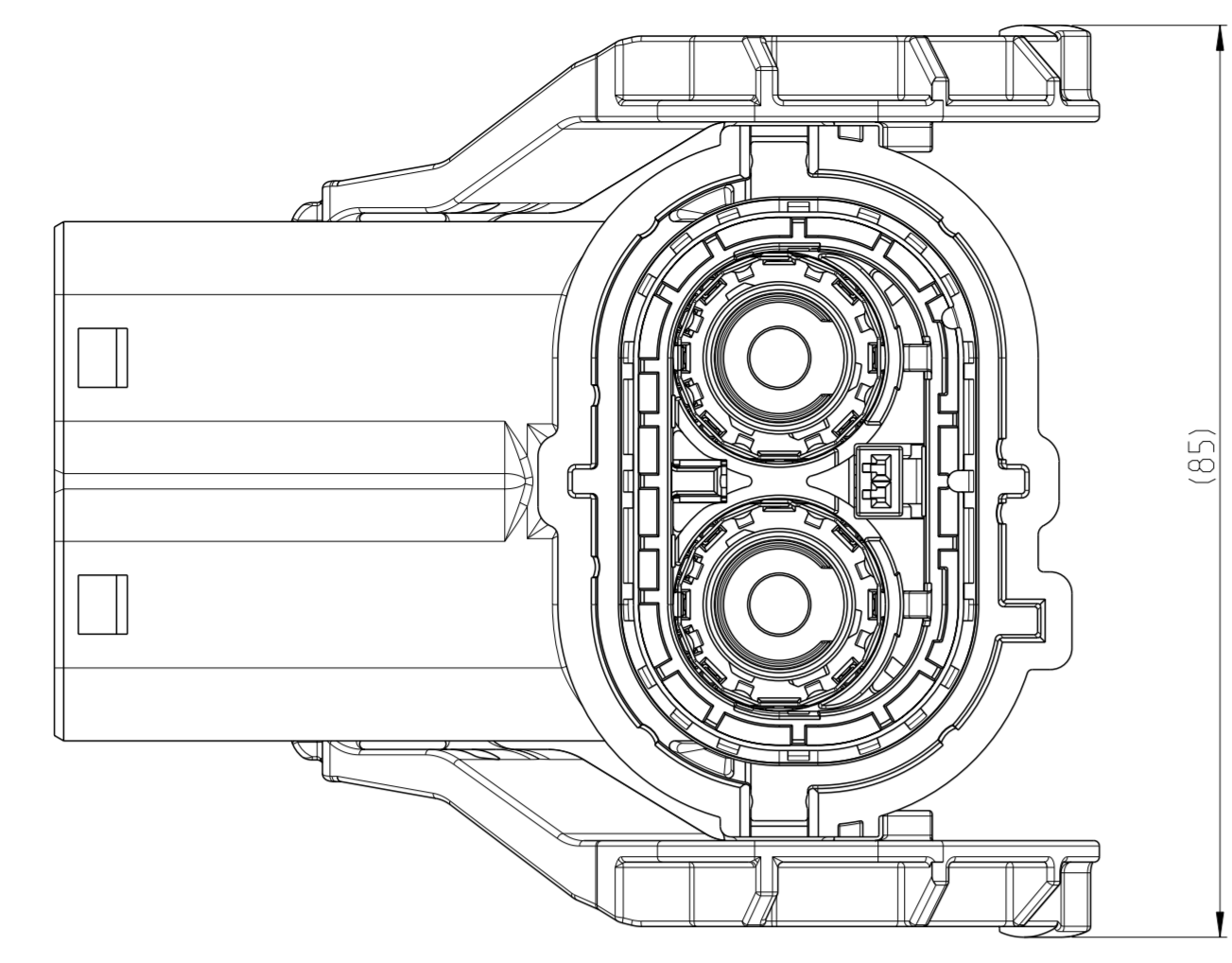
REVISIONS		
REV	DESCRIPTION	DATE
1	SEE SHEET 1	



COD.	TE ASSY-NO.	ASSY-REV	QTY	DESCRIPTION	MATERIAL	WEIGHT (g)	SURFACE COLOUR	ITEM
D	2-2310922-4	A	1	CPA	PA66-GF V0	141.6	RED SIM RAL 3000	8
			1	ADAPTER	PA66-GF V0	-	DUSTY GRAY SIM RAL 7037	7
			1	LEVER, 2POS, 90 DEG	PA66-GF HB	-	WHITE SIM RAL 9010 (9001)	6
			1	2POS, MCON-1.2, REC HSG, 90 DEG, Assy	-	-	-	5
			1	RADIAL SEAL	SILICONE RUBBER	-	WHITE SIM RAL 9010	4
			2	ASSY: ISULATION INSERT - SHIELDING	△	-	-	3
			2	ASSY: ISULATION INSERT - SHIELDING	△	-	-	2
C	2-2310922-3	A	1	CPA	PA66-GF V0	141.6	RED SIM RAL 3000	8
			1	ADAPTER	PA66-GF V0	-	DUSTY GRAY SIM RAL 7037	7
			1	LEVER, 2POS, 90 DEG	PA66-GF HB	-	BLACK SIM RAL 9005 (9011)	6
			1	2POS, MCON-1.2, REC HSG, 90 DEG, Assy	-	-	-	5
			1	RADIAL SEAL	SILICONE RUBBER	-	WHITE SIM RAL 9010	4
			2	ASSY: ISULATION INSERT - SHIELDING	△	-	-	3
			2	ASSY: ISULATION INSERT - SHIELDING	△	-	-	2
B	2-2310922-2	B	1	CPA	PA66-GF V0	141.6	RED SIM RAL 3000	8
			1	ADAPTER	PA66-GF V0	-	DUSTY GRAY SIM RAL 7037	7
			1	LEVER, 2POS, 90 DEG	PA66-GF HB	-	WHITE SIM RAL 9010 (9001)	6
			1	2POS, MCON-1.2, REC HSG, 90 DEG, Assy	-	-	-	5
			1	RADIAL SEAL	SILICONE RUBBER	-	WHITE SIM RAL 9010	4
			2	ASSY: ISULATION INSERT - SHIELDING	△	-	-	3
			2	ASSY: ISULATION INSERT - SHIELDING	△	-	-	2
A	2-2310922-1	B	1	CPA	PA66-GF V0	141.6	RED SIM RAL 3000	8
			1	ADAPTER	PA66-GF V0	-	DUSTY GRAY SIM RAL 7037	7
			1	LEVER, 2POS, 90 DEG	PA66-GF HB	-	BLACK SIM RAL 9005 (9011)	6
			1	2POS, MCON-1.2, REC HSG, 90 DEG, Assy	-	-	-	5
			1	RADIAL SEAL	SILICONE RUBBER	-	WHITE SIM RAL 9010	4
			2	ASSY: ISULATION INSERT - SHIELDING	△	-	-	3
			2	ASSY: ISULATION INSERT - SHIELDING	△	-	-	2
1	2POS, 8MM HV, REC HSG, 90 DEG, SEALED	PA66-GF HB	-	ORANGE SIM RAL 2003	1			

2--1 AS SHOWN

THIS DRAWING IS A CONTROLLED DOCUMENT.		DATE: 12 JUL 2017	BY: J.L.L.
DIMENSIONS: (mm)		DATE: 24 JUL 2017	CHK: S.Y. WANG
TOLERANCES UNLESS OTHERWISE SPECIFIED:		DATE: 02 AUG 2017	APP: M.Y. LIN
±0.1	±0.5	DATE: 108-32233	REF: REFER TO 108-32233
±0.01	±0.001	DATE: 114-32213	REF: REFER TO 114-32213
±0.001	±0.0001	DATE: 00779	REF: REFER TO 00779
±0.0001	±0.00001	DATE: 2310922	REF: REFER TO 2310922
±0.00001	±0.000001	DATE: 1.1	REF: REFER TO 1.1
±0.000001	±0.0000001	DATE: 3	REF: REFER TO 3
±0.0000001	±0.00000001	DATE: 4	REF: REFER TO 4
±0.00000001	±0.000000001	DATE: 6	REF: REFER TO 6
±0.000000001	±0.0000000001	DATE: 11	REF: REFER TO 11



REVISIONS			
REV	DATE	DESCRIPTION	BY
1		SEE SHEET 1	

COD.	TE	ASSY-NO.	ASSY-REV	QTY	DESCRIPTION	MATERIAL	WEIGHT (g)	SURFACE COLOUR	ITEM
D	3-2310922-4	A	1	CPA	PA66-GF V0	(14.1.6)	RED SIM RAL 3000	8	8
			1	ADAPTER	PA66-GF V0		DUSTY GRAY SIM RAL 7037	7	
			1	LEVER, 2POS, 90 DEG	PA66-GF V0		WHITE SIM RAL 9010 (9001)	6	
			1	2POS. MCON-1.2, REC HSG, 90 DEG, Assy	-		-	5	
			1	RADIAL SEAL	SILICONE RUBBER		LIGHT BLUE	4	
			2	ASSY: ISULATION INSERT - SHIELDING	△		-	3	
			2	ASSY: ISULATION INSERT - SHIELDING	△		-	2	
			1	2POS. 8MM HV, REC HSG, 90 DEG, SEALED	PA66-GF V0		ORANGE SIM RAL 2003	1	
C	3-2310922-3	A	1	CPA	PA66-GF V0	(14.1.6)	RED SIM RAL 3000	8	8
			1	ADAPTER	PA66-GF V0		DUSTY GRAY SIM RAL 7037	7	
			1	LEVER, 2POS, 90 DEG	PA66-GF V0		BLACK SIM RAL 9005 (9011)	6	
			1	2POS. MCON-1.2, REC HSG, 90 DEG, Assy	-		-	5	
			1	RADIAL SEAL	SILICONE RUBBER		LIGHT BLUE	4	
			2	ASSY: ISULATION INSERT - SHIELDING	△		-	3	
			2	ASSY: ISULATION INSERT - SHIELDING	△		-	2	
			1	2POS. 8MM HV, REC HSG, 90 DEG, SEALED	PA66-GF V0		ORANGE SIM RAL 2003	1	
B	3-2310922-2	B	1	CPA	PA66-GF V0	(14.1.6)	RED SIM RAL 3000	8	8
			1	ADAPTER	PA66-GF V0		DUSTY GRAY SIM RAL 7037	7	
			1	LEVER, 2POS, 90 DEG	PA66-GF V0		WHITE SIM RAL 9010 (9001)	6	
			1	2POS. MCON-1.2, REC HSG, 90 DEG, Assy	-		-	5	
			1	RADIAL SEAL	SILICONE RUBBER		LIGHT BLUE	4	
			2	ASSY: ISULATION INSERT - SHIELDING	△		-	3	
			2	ASSY: ISULATION INSERT - SHIELDING	△		-	2	
			1	2POS. 8MM HV, REC HSG, 90 DEG, SEALED	PA66-GF V0		ORANGE SIM RAL 2003	1	
A	3-2310922-1	B	1	CPA	PA66-GF V0	(14.1.6)	RED SIM RAL 3000	8	8
			1	ADAPTER	PA66-GF V0		DUSTY GRAY SIM RAL 7037	7	
			1	LEVER, 2POS, 90 DEG	PA66-GF V0		BLACK SIM RAL 9005 (9011)	6	
			1	2POS. MCON-1.2, REC HSG, 90 DEG, Assy	-		-	5	
			1	RADIAL SEAL	SILICONE RUBBER		LIGHT BLUE	4	
			2	ASSY: ISULATION INSERT - SHIELDING	△		-	3	
			2	ASSY: ISULATION INSERT - SHIELDING	△		-	2	
			1	2POS. 8MM HV, REC HSG, 90 DEG, SEALED	PA66-GF V0		ORANGE SIM RAL 2003	1	

3--1 AS SHOWN

THIS DRAWING IS A CONTROLLED DOCUMENT.		DATE: 12 JUL 2017	BY: J.L.L.
DIMENSIONS: UNLESS OTHERWISE SPECIFIED, DIMENSIONS ARE IN MILLIMETERS.		DATE: 24 JUL 2017	BY: S.Y.WANG
TOLERANCES: UNLESS OTHERWISE SPECIFIED, DIMENSIONS ARE IN MILLIMETERS.		DATE: 02 AUG 2017	BY: J.W.YIN
TOLERANCES: UNLESS OTHERWISE SPECIFIED, DIMENSIONS ARE IN MILLIMETERS.		DATE: REFER TO 100-32233	BY: REFER TO 100-32233
TOLERANCES: UNLESS OTHERWISE SPECIFIED, DIMENSIONS ARE IN MILLIMETERS.		DATE: REFER TO 114-32213	BY: REFER TO 114-32213
TOLERANCES: UNLESS OTHERWISE SPECIFIED, DIMENSIONS ARE IN MILLIMETERS.		DATE: CUSTOMER DRAWING	BY: CUSTOMER DRAWING



2POS, 8mm HV, REC HSG, 90 DEG, ASSY SEALED

SIZE: CASE CODE: DRAWING NO: A0 00779 ©=2310922

SCALE: 1:1 SHEET 6 OF 6