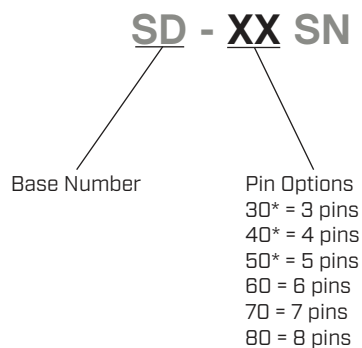


SERIES: SD-SN | **DESCRIPTION:** STANDARD DIN CONNECTOR**FEATURES**

- panel mount
- vertical
- shielded

**PART NUMBER KEY**

Note: *. Discontinued SD-30SN, SD-40SN & SD-50SN models.

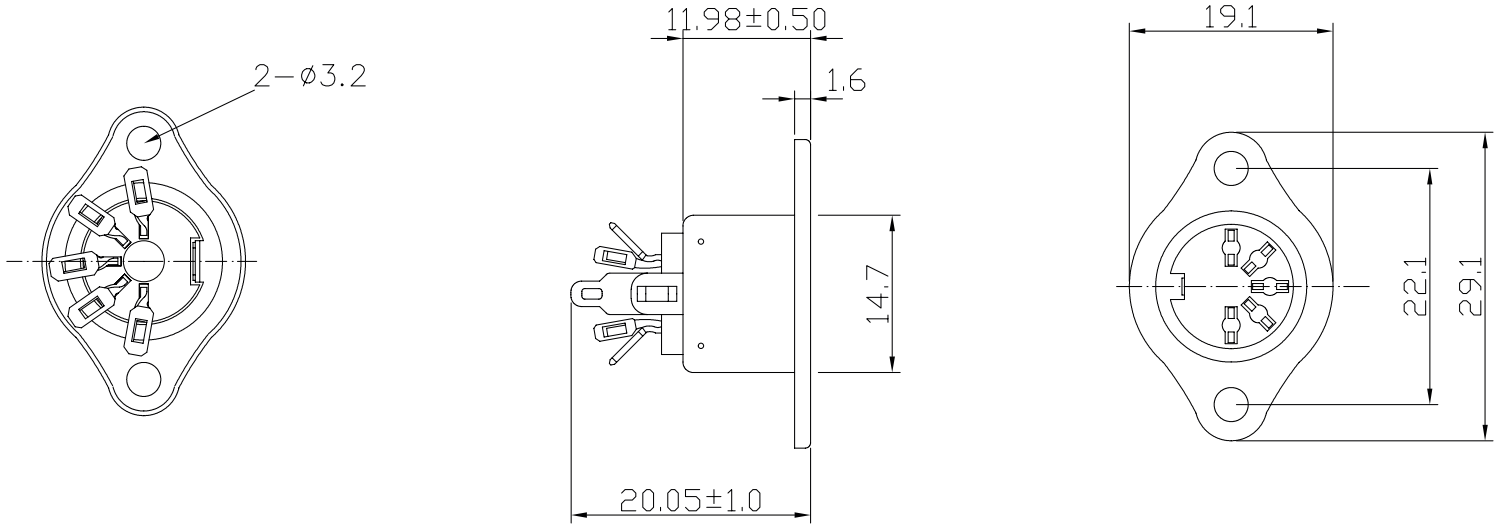
SPECIFICATIONS

| parameter | conditions/description | min | typ | max | units |
|-----------------------|---|------------|-----------|----------|------------|
| rated input voltage | | | 100 12 | | Vac Vdc |
| rated input current | at 100 Vac at 12 Vdc | | | 1 2 | A A |
| contact resistance | SD-40SN & SD-60SN all other models | | | 20 30 | mΩ mΩ |
| insulation resistance | at 500 Vdc, SD-40SN at 500 Vdc, all other models | 300 100 | | | MΩ MΩ |
| voltage withstand | for 1 minute | | | 1,000 | Vac |
| insertion force | SD-40SN all other models | | | 6.5 4 | kg kg |
| withdrawal force | SD-40SN all other models | 1 1 | | 5 3.5 | kg kg |
| operating temperature | | 5 | | 70 | °C |
| life | | | 5,000 | | cycles |
| flammability rating | UL94V-0 | | | | |
| RoHS | yes | | | | |

MECHANICAL DRAWINGS

units: mm
 tolerance:
 X.X ±0.38 mm
 X.XX ±0.25 mm
 X.XXX ±0.150 mm

| | MATERIAL | PLATING |
|---------------------------------|-------------------|---------|
| earth terminal | phosphor bronze | tin |
| contact pins (SD-40SN) | brass | tin |
| contact pins (all other models) | brass | silver |
| socket case | cold rolled steel | nickel |
| rivet | aluminum | nickel |
| insulator | PBT | |

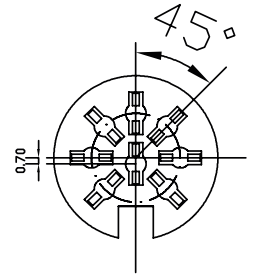
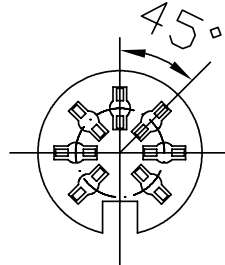
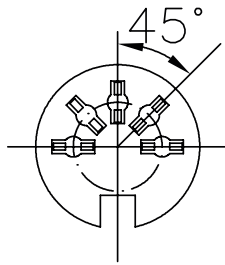
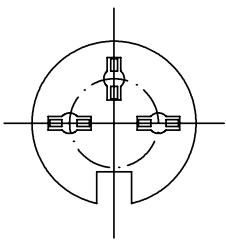


SD-30SN

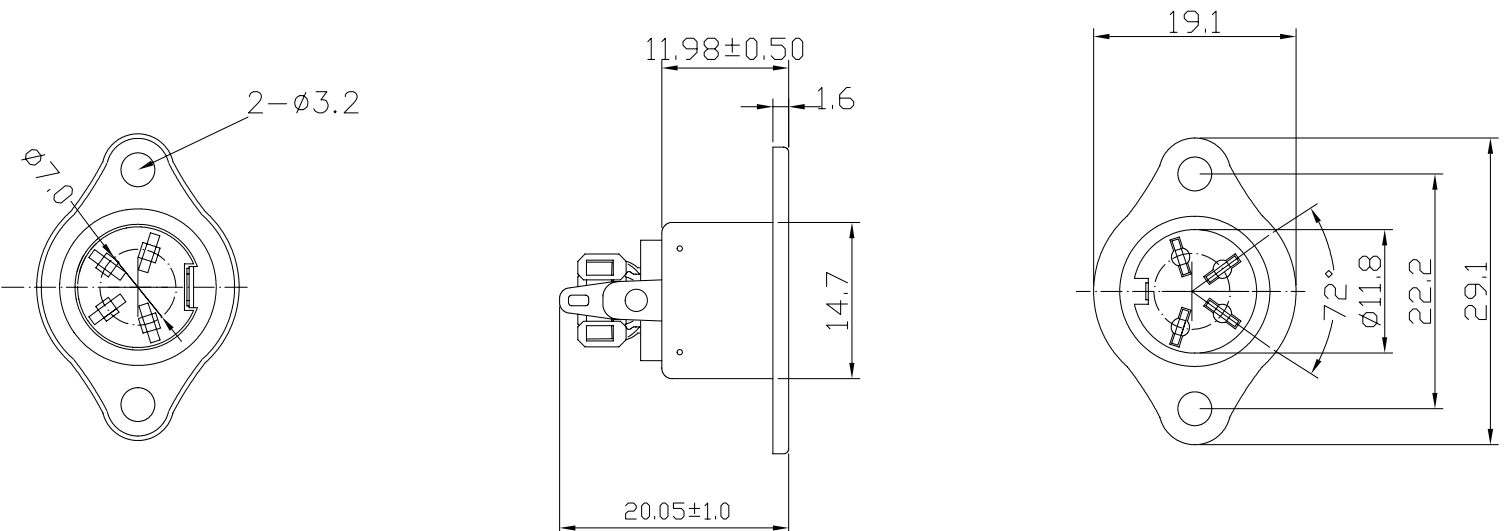
SD-50SN

SD-70SN

SD-80SN



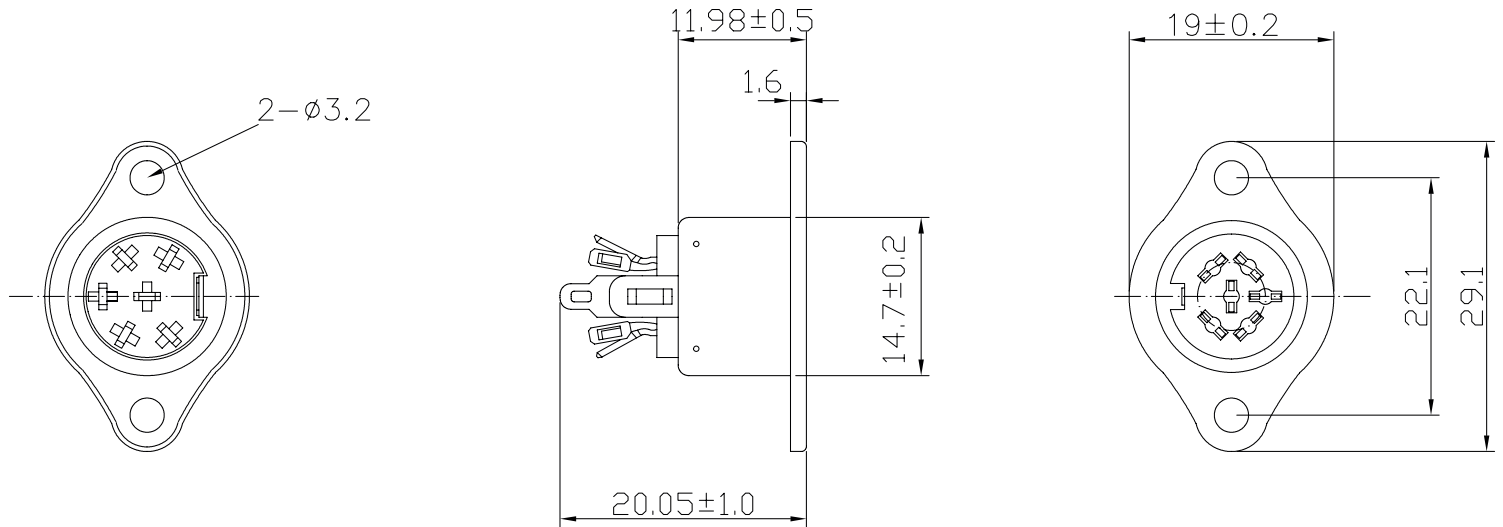
SD-40SN



MECHANICAL DRAWINGS (CONTINUED)

units: mm
tolerance:
X.X ± 0.38 mm
X.XX ± 0.25 mm
X.XXX ± 0.150 mm

SD-60SN



REVISION HISTORY

| rev. | description | date |
|------|--|------------|
| 1.0 | initial release | 02/23/2006 |
| 1.01 | new template applied | 02/10/2012 |
| 1.02 | housing dimensions of SD-40SN changed | 05/21/2014 |
| 1.03 | housing dimensions of SD-60SN changed | 09/01/2015 |
| 1.04 | front face slots rotated on SD-40SN | 10/26/2016 |
| 1.05 | new tooling for housings | 12/20/2016 |
| 1.06 | brand update | 02/19/2020 |
| 1.07 | logo, datasheet style update | 08/05/2022 |
| 1.08 | discontinued models SD-30SN, SD-40SN & SD-50SN | 09/26/2022 |

The revision history provided is for informational purposes only and is believed to be accurate.



CUI Devices offers a one (1) year limited warranty. Complete warranty information is listed on our website.

CUI Devices reserves the right to make changes to the product at any time without notice. Information provided by CUI Devices is believed to be accurate and reliable. However, no responsibility is assumed by CUI Devices for its use, nor for any infringements of patents or other rights of third parties which may result from its use.

CUI Devices products are not authorized or warranted for use as critical components in equipment that requires an extremely high level of reliability. A critical component is any component of a life support device or system whose failure to perform can be reasonably expected to cause the failure of the life support device or system, or to affect its safety or effectiveness.

cuidevices.com