



PSE Technology Corporation

SPECIFICATION FOR APPROVAL

CUSTOMER _____

NOMINAL FREQUENCY _____ 26.000000 MHz _____

PRODUCT TYPE _____ TYPE JT 2.0X1.6 TEMPERATURE COMPENSATED CRYSTAL OSCILLATOR _____

SPEC. NO. (P/N) _____ JT15260001 _____

CUSTOMER P/N _____

ISSUE DATE _____ June 8, 2016 _____

VERSION _____ A _____

APPROVED	PREPARED	QA
APPROVED BY CUSTOMER :		AVL Status
Please return one copy with approval to PSE-TW		

PSE Technology Corporation

No.2, Tzu-Chiang 5th Rd, Chung Li Industrial Park,
 Chung Li City, Taoyuan County, Taiwan (R.O.C.)
 TEL: 886-3-451-8888
 FAX: 886-3-461-3865
<http://www.saronix-ecera.com.tw>

- *Pb-free
- *RoHS Compliant
- *HF-Halogen Free
- *REACH Compliant

*** A company of **PERICOM Semiconductor Corporation** ***

TYPE JT 2.0X1.6 TEMPERATURE COMPENSATED CRYSTAL OSCILLATOR

JT15260001

VER. A 8-Jun-16

ELECTRICAL SPECIFICATIONS

SRe Part Number : JT15260001

Item	Symbol	Specifications	Units	Notes
Nominal Frequency	Fo	26.000000	MHz	
Operating Temperature Range	TR	-30 to +85	°C	
Storage Temperature Range		-40 to +85	°C	
Supply Voltage	V _{DD}	+1.8 ± 5.0%	V	
Frequency Stability	FT	± 0.5	ppm	vs. Temperature (Refer to the mid-point between minimum and maximum frequency values over the specified temperature range)
Frequency Stability		± 0.2	ppm	vs. Load varied 10pF//10kΩ±10%
Frequency Stability		± 0.1	ppm	vs. Supply Voltage varied V _{dd} ±5% at 25°C
Frequency Tolerance		± 2.0	ppm	Max. After 2 times reflow (Refer to nominal frequency)
Static Temperature Hysteresis		± 0.6	ppm	Max.
Aging		±1	ppm	per year at 25°C
Logic Type	LT	Clipped Sinewave		
Supply Current	I _{DD}	1.5	mA	Max.
Start Up Time		2.0	msec	Max, 90% of specified output level
Output Voltage		0.8 to 1.4	Vp-p	
Output Load Resistance		10	KΩ	9KΩ Min / 11KΩ Max
Output Load Capacitance		10	pF	9pF Min / 11pF Max
Harmonics		-5	dBc	Max.
Phase Noise		-137	dBc/Hz	Typ. at 1kHz offset
Phase Noise		-149	dBc/Hz	Typ. at 10kHz offset
Phase Noise		-150	dBc/Hz	Typ. at 100kHz offset

※ This product doesn't include harmful substance that stipulated by SONY SS-00259 Level 1 and S-AT2-001 Level 1 standard. RoHS Compliant (Pb - Free).

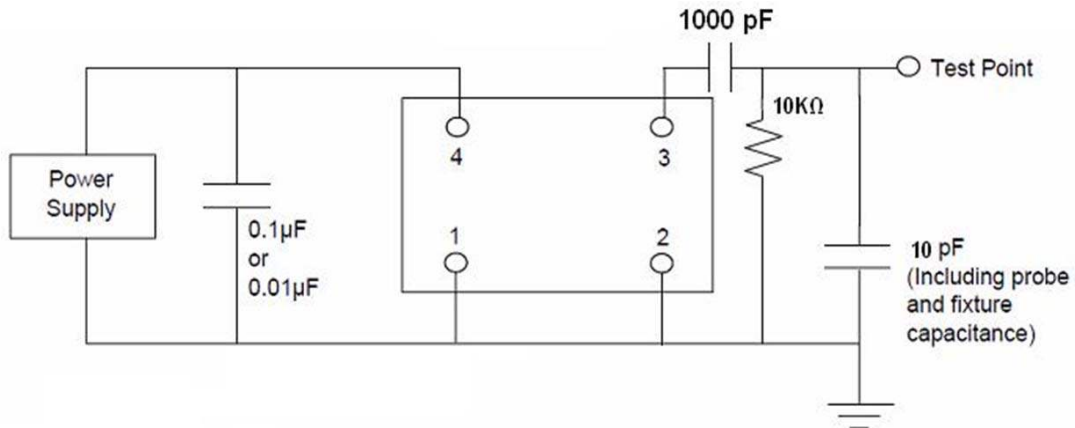


TYPE JT 2.0X1.6 TEMPERATURE COMPENSATED CRYSTAL OSCILLATOR

JT15260001

VER. A 8-Jun-16

TEST CIRCUIT



RELIABILITY SPECIFICATIONS

1. Initial

- 1.1 Physical Dimensions: Mil Std 883 M2016
- 1.2 Gross/Fine Leak: JESD22-A109, Mil Std 883 M1014
- 1.3 Electrical Characterization: Per Specification/Datasheet
- 1.4 Electrical Test: Per Specification/Datasheet

2. Mechanical

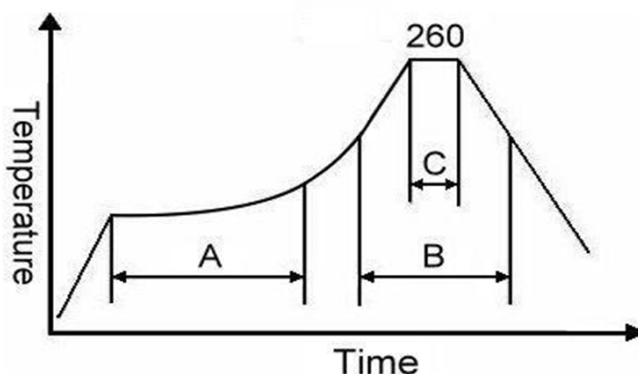
- 2.1 Mechanical Shock: JESD22-B104
- 2.2 Vibration Variable Frequency: JESD22-B103
- 2.3 Solderability: JESD22-B102-D

3.Environmental

- 3.1 Highly Accelerated Stress Testing: JESD22-A110/A118
- 3.2 Temp Cycle: JESD22-A104
- 3.3 Resistance to Solder Heat: J-STD-020C
- 3.4 Low Temperature Storage: JESD22-A108
- 3.5 High Temperature Storage Life / Bake: JESD22-A103
- 3.6 Temperature Bias and Operating Life: JESD22-A108
- 3.7 ESD Testing: JESD22-A114/A115/C101
- 3.8 Latch Up test: JESD78

SUGGESTED IR REFLOW PROFILE

*As per IPC-JEDEC J-STD-020D



Note:

	Stage	Temperature	Time
A	Preheat	150~200°C	60~120 Sec
B	Primary Heat	217°C	60~150 Sec
C	Peak	260°C	10 Sec

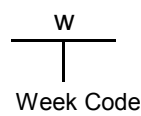
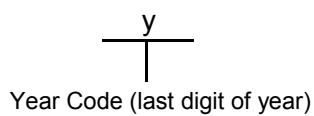
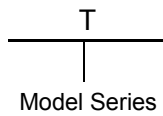
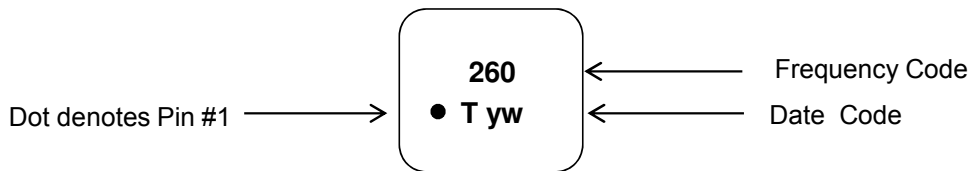
TYPE JT 2.0X1.6 TEMPERATURE COMPENSATED CRYSTAL OSCILLATOR

JT15260001

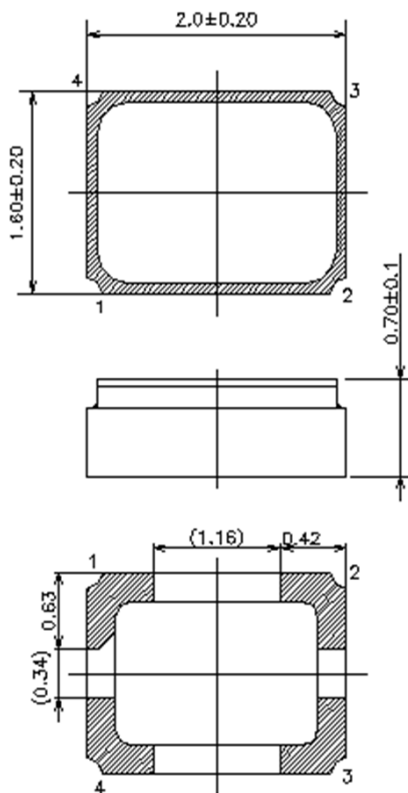
VER. A

8-Jun-16

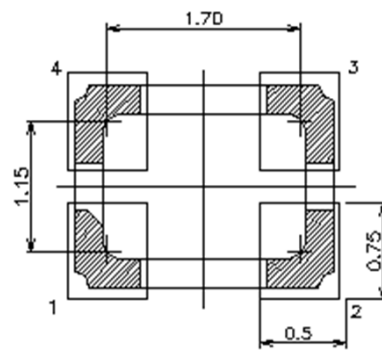
MARKING



MECHANICAL DRAWINGS (Scale: None. Dimensions are in mm.)



Recommended Land Pattern



Pin No.	Connections
1	*(GND)
2	GND
3	OUTPUT
4	VCC

* NOTE

#1 pad. Must be connected to ground on your circuit, otherwise oscillation frequency will shift from the output frequency specified.

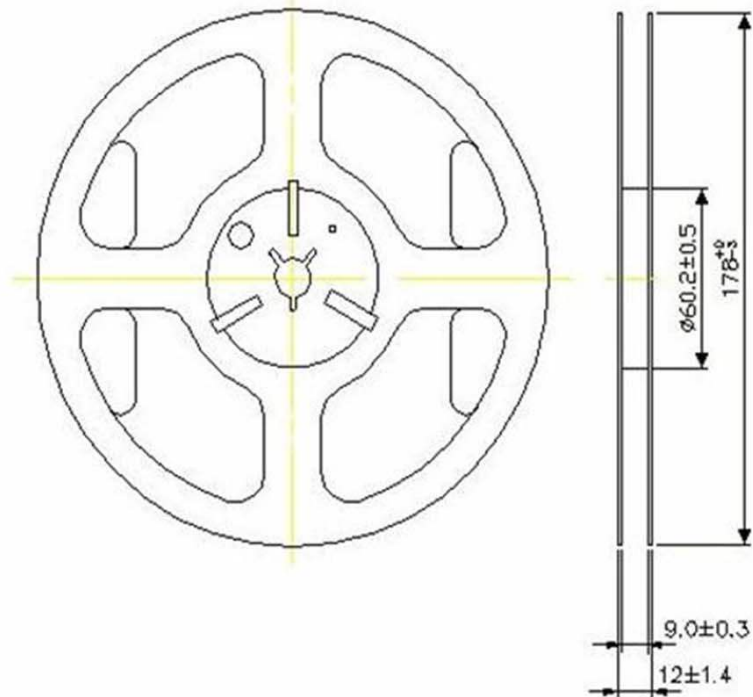
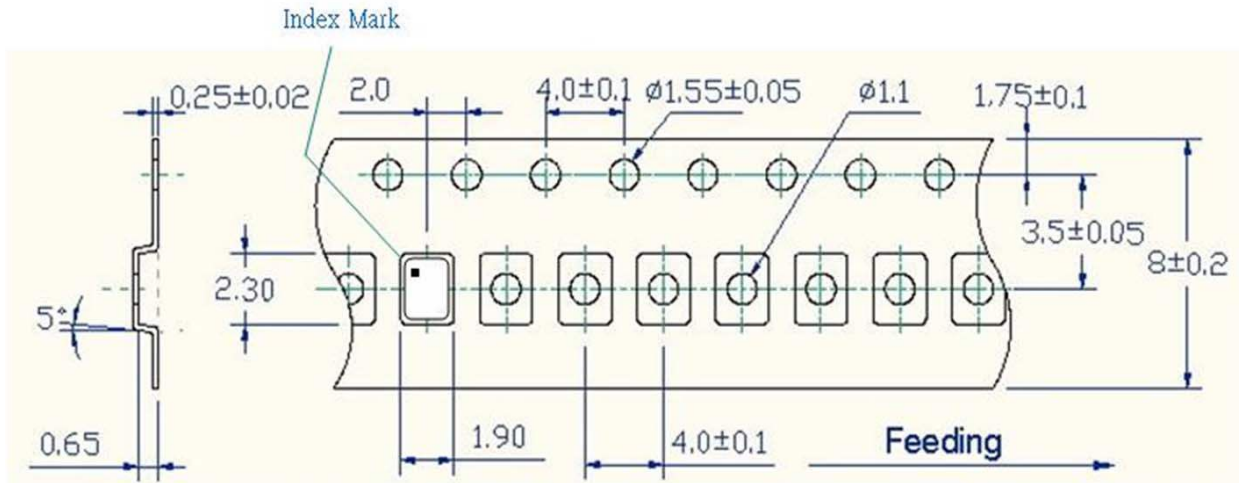
TYPE JT 2.0X1.6 TEMPERATURE COMPENSATED CRYSTAL OSCILLATOR

JT15260001

VER. A

8-Jun-16

TAPE&REEL



1. 230mm minimum leader which consist of carrier and/or tape followed by a minimum of 160mm of empty carrier tape sealed with cover tape.
2. 160mm minimum trailer of empty carrier tape sealed with cover tape.

TYPE JT 2.0X1.6 TEMPERATURE COMPENSATED CRYSTAL OSCILLATOR

JT15260001

VER. A

8-Jun-16

PACKING

