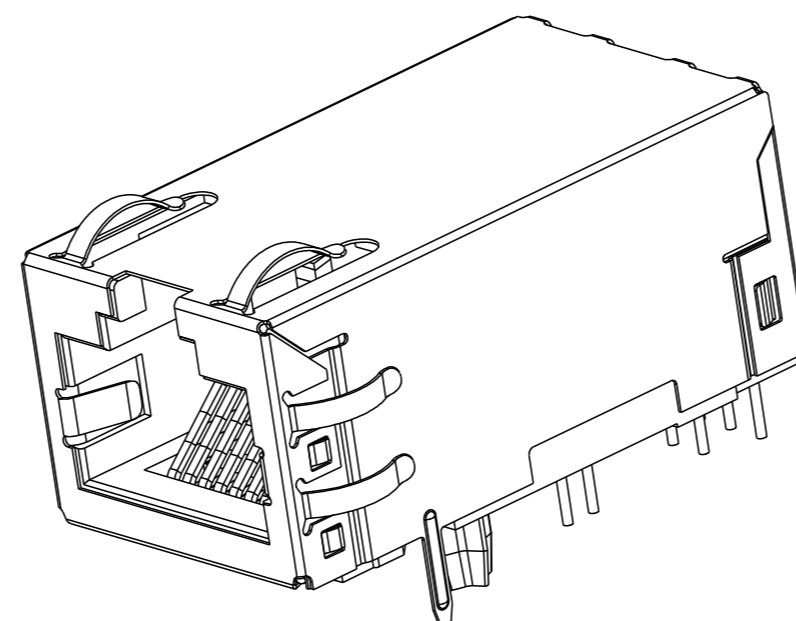
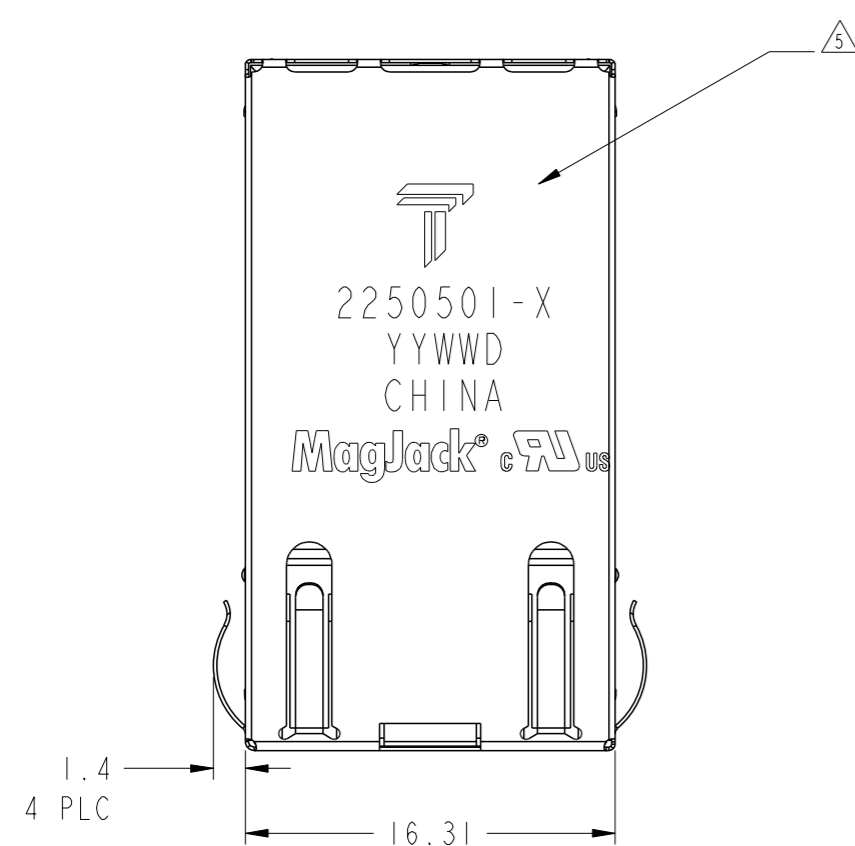


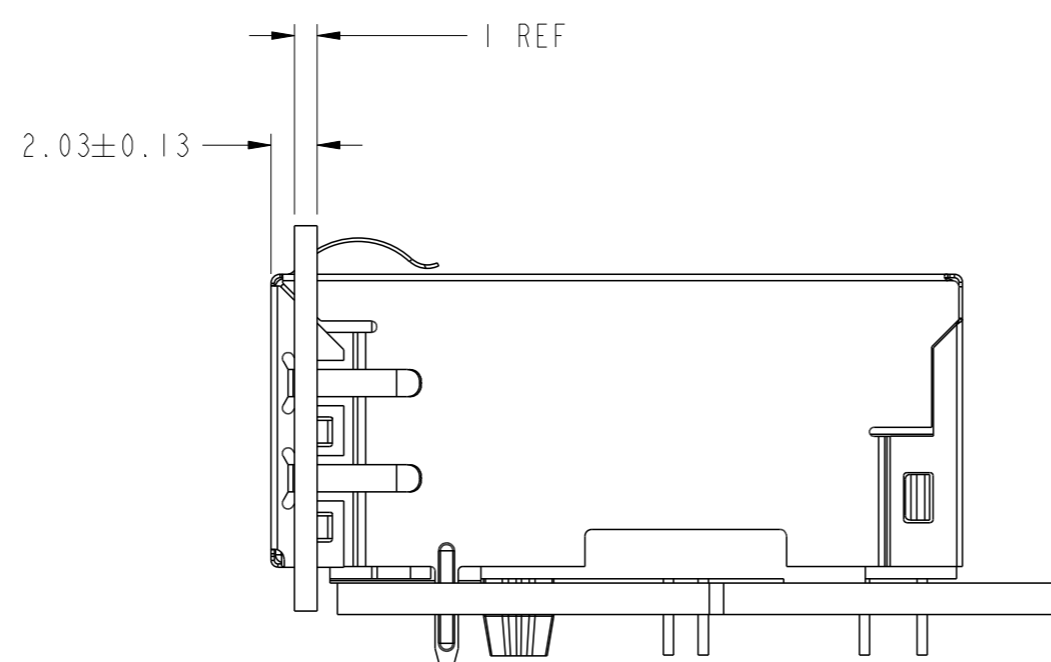
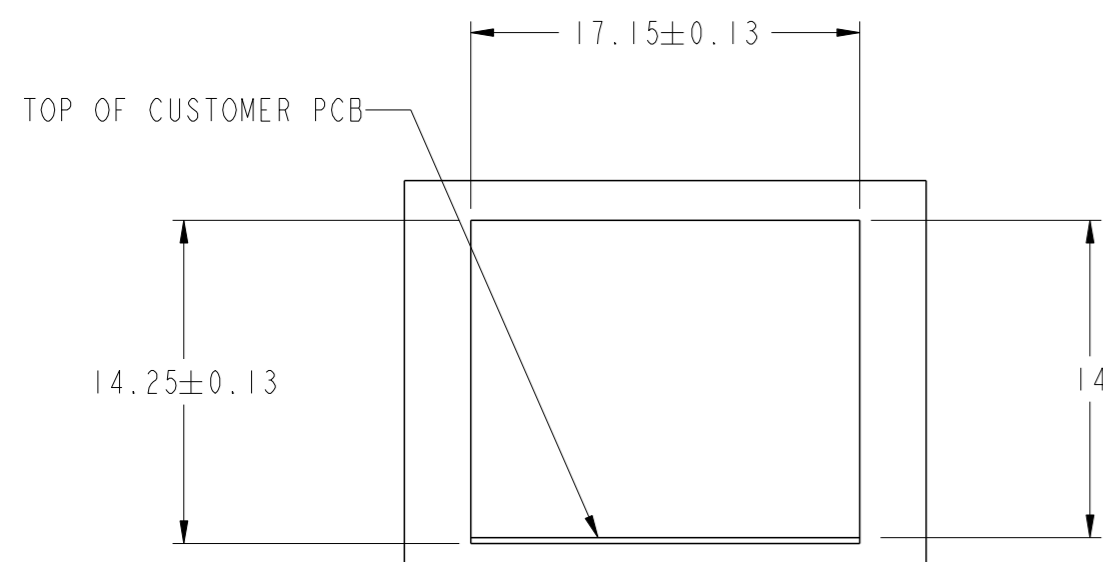
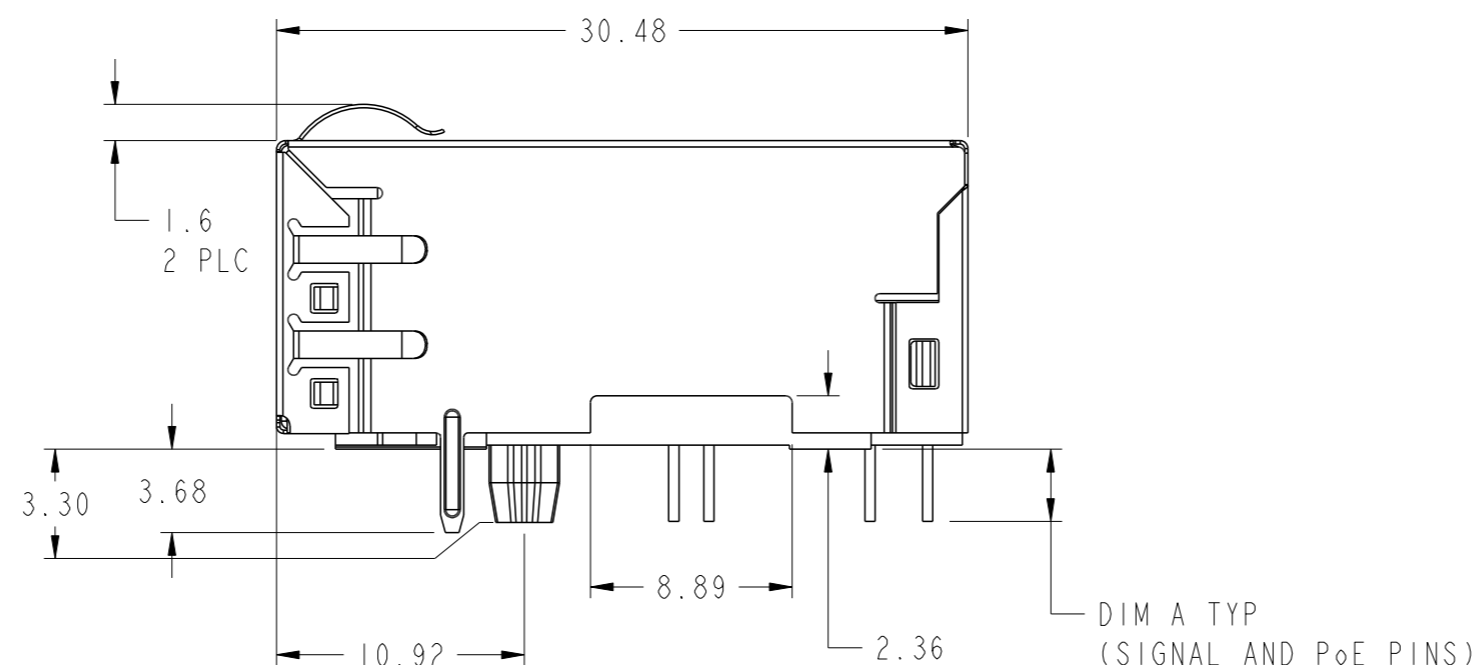
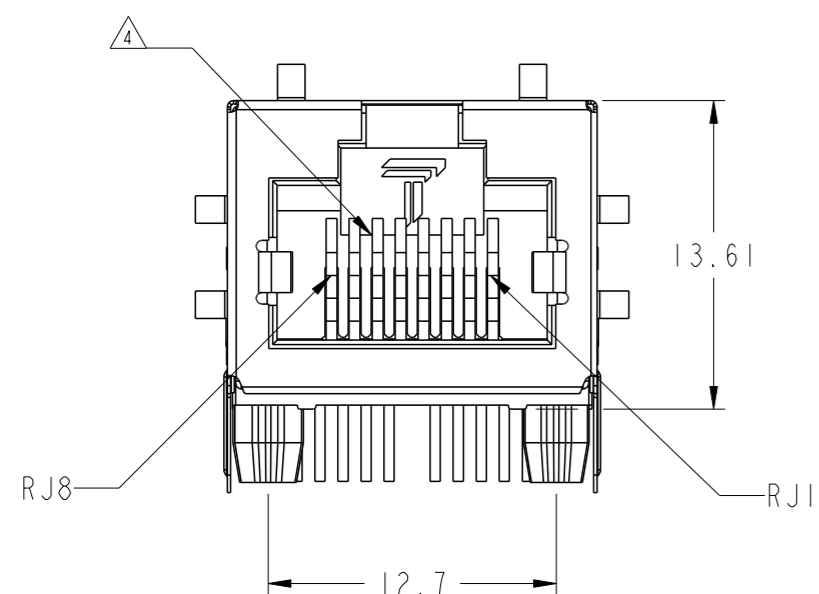
THIS DRAWING AND THE SUBJECT MATTER SHOWN THEREON ARE CONFIDENTIAL AND THE PROPERTY OF BEL/STEWART/TRP CONNECTOR AND SHALL NOT BE REPRODUCED, COPIED, OR USED IN ANY MANNER WITHOUT THE WRITTEN CONSENT OF TRP CONNECTOR.

PRODUCT MAY BE PROTECTED BY ONE OR MORE OF THE FOLLOWING US PATENTS:
 5736910 5939955 6425781 6428361 6554638 6840817 7123117
 7429195 7717749 7808751 6217391 6149050 7924130

REVISIONS				
P	LTR	DESCRIPTION	DATE	APVD
1		INITIAL RELEASE	22MAR2017	TRY TYY




- MATERIALS**
 HOUSING: THERMOPLASTIC, BLACK, FLAMMABILITY RATING UL 94V-0
 SHIELD: STAINLESS STEEL, 0.15mm THICK, PREPLATED WITH MIN 0.76μm SEMI-BRIGHT NICKEL POST DIPPED WITH 2.54μm MIN SAC SOLDER AT GROUND PINS.
 CONTACT: PHOSPHOR BRONZE, 0.46mmX0.30mm WITH 1.27μm MIN OVERALL NICKEL UNDERPLATE AND SELECTIVE 1.27μm MIN GOLD PLATING AT MATING INTERFACE.
 SOLDER TAIL(LED AND SIGNAL): Ø0.45mm COPPER PLATED STEEL, PLATED WITH 2.54μm MIN TIN.
- MAGNETICS**
 -APPLICATION: 5G BASE-T 4PPoE EXTENDED TEMPERATURE
 -IMPEDANCE: 100 OHMS
 -TURNS RATIO (CHIP:CABLE): 1:1 ALL FOUR PAIRS
 -OPEN CIRCUIT INDUCTANCE (OCL) ALL FOUR PAIRS:
 180uH MIN @100kHz, 0.1VRMS, 8mA DC BIAS FROM -40°C TO 85°C,
 120uH MIN @100kHz, 0.1VRMS, 19mA DC BIAS FROM -40°C TO 85°C,
 -ALL FOUR PAIRS BI-DIRECTIONAL
 -PoE CURRENT: 600mADC MAX
 -ISOLATION VOLTAGE: 2250VDC FOR 60 SECONDS WITH A RISE TIME OF 500V/SEC.
- OPERATING TEMPERATURE: -40°C TO 85°C**
- RJ45 CAVITY CONFORMS TO FCC RULES AND REGULATION PART 68 SUBPART F.**
- TRP CONNECTOR LOGO, PART NUMBER, DATE CODE, COUNTRY OF ORIGIN, AGENCY APPROVAL MARKING IN APPROPRIATE LOCATION SHOWN. DATE CODE: YYWWD "YY" IS YEAR, "WW" IS WORK WEEK, "D" IS DAY OF WEEK, WITH SUNDAY=1.**
- PART SHOULD BE RECOMMENDED FOR WAVE SOLDERING PROCESS, PEAK WAVE SOLDERING TEMPERATURE IS 260°C, 10 SECOND MAX.**



TRAY	3.18	2250501-1
PACKAGE	DIM A	PART NUMBER

THIS DRAWING IS A CONTROLLED DOCUMENT, AND COMPLIANT TO ASME Y14.5M		DWN: 22MAR2017 TOWER YU / XENIA WANG	 trp CONNECTOR a bel group DONGGUAN CHINA
DIMENSIONS: mm		CHK: 22MAR2017 BILL LIU	
TOLERANCES UNLESS OTHERWISE SPECIFIED:		APVD: 22MAR2017 TONY YUAN	DESC: IXI 7HFG02ET 5GIGABIT 4PPoE TAB UP, W/O LEDS
0 PLC ± 1 PLC ±0.25 2 PLC ±0.25 3 PLC ±0.25 4 PLC ± ANGLES ± APPLICATION SPEC		MODEL NAME: MAGJACK SINGLE 4PPOE	SIZE: A2
PRODUCT SPEC: -		DRAWING NO: C-2250501	
		CUSTOMER DRAWING	
		SCALE: NTS	SHEET 1 OF 3

2250501_C						STOCK DISPOSITION			
						A:CONTINUE AS IS B:REWORK C:SCRAP		D:USE OLD FIRST E:PARTS TO CONFORM F:OTHER	
REVISION HISTORY									
DATE	REV	CHANGE	REASON	APPROVAL	INVENTORY (A,B,C,D,E,F)	WORK IN PROCESS (A,B,C,D)	SUPPLIER ORDERS (A,E,F)	OPEN CUST ORDERS (A,E,F)	
22MAR2017	I	-	INITIAL RELEASE	TONY YUAN	-	-	-	-	

THIS DRAWING IS A CONTROLLED DOCUMENT. AND COMPLIANT TO ASME Y14.5M		DWN 22MAR2017 TOWER YU / XENIA WANG	 trp CONNECTOR a bel group	DONGGUAN CHINA
DIMENSIONS: mm		CHK 22MAR2017 BILL LIU		
TOLERANCES UNLESS OTHERWISE SPECIFIED:		APVD 22MAR2017 TONY YUAN	DESC IXI 7HFG02ET 5GIGABIT 4PPoE TAB UP, W/O LEDS	
0 PLC ± 1 PLC ±0.25 2 PLC ±0.25 3 PLC ±0.25 4 PLC ±		MODEL NAME MAGJACK SINGLE 4PPOE	SIZE A2	CAGE CODE C-2250501
PRODUCT SPEC -		APPLICATION SPEC -		RESTRICTED TO -
CUSTOMER DRAWING			SCALE NTS	SHEET 3 OF 3 REV I