

Labeling plate for EMERGENCY STOP mushroom-type actuator, in the enclosure, yellow, with inscription: NOT-HALT, self-adhesive



product brand name	SIRIUS ACT
product designation	Labeling plate
design of the product	for enclosures with EMERGENCY STOP
product type designation	3SU1

General technical data

protection class IP	IP66, IP67, IP69(IP69K)
shock resistance for railway applications according to EN 61373	Category 1, Class B
vibration resistance for railway applications according to EN 61373	Category 1, Class B
Substance Prohibitance (Date)	10/01/2014

Ambient conditions

ambient temperature	
• during operation	70 ... -25 °C
• during storage and transport	80 ... -40 °C

Installation/ mounting/ dimensions

height	38 mm
width	112 mm

Accessories

material of accessory	Plastic
fastening method of label	stick
marking of the name plate for command devices	NOT-HALT
shape of the name plate for command devices	rectangular
color of the label	yellow (plate); black (font)

Certificates/ approvals

General Product Approval	Declaration of Conformity
--------------------------	---------------------------



[Confirmation](#)



Test Certificates **Marine / Shipping**

[Special Test Certificate](#)

[Type Test Certificates/Test Report](#)



other **Environment**

Further information

Siemens has decided to exit the Russian market (see here).

<https://press.siemens.com/global/en/pressrelease/siemens-wind-down-russian-business>

Siemens is working on the renewal of the current EAC certificates.

Please contact your local Siemens office on the status of validity of the EAC certification if you intend to import or offer to supply these products to an EAC relevant market (other than the sanctioned EAEU member states Russia or Belarus).

Information on the packaging

<https://support.industry.siemens.com/cs/ww/en/view/109813875>

Information- and Downloadcenter (Catalogs, Brochures,...)

<https://www.siemens.com/ic10>

Industry Mall (Online ordering system)

<https://mall.industry.siemens.com/mall/en/en/Catalog/product?mlfb=3SU1900-0BE31-0AT0>

Cax online generator

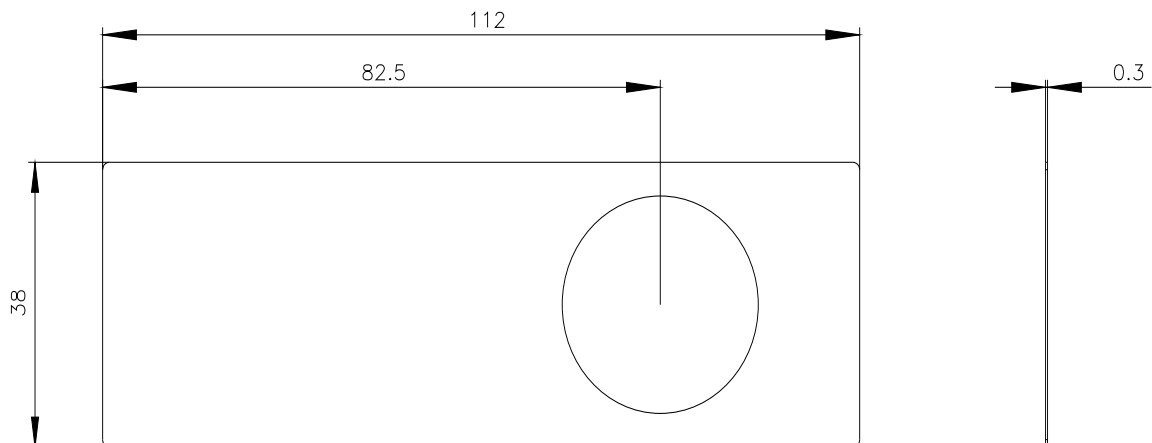
<http://support.automation.siemens.com/WW/CAXorder/default.aspx?lang=en&mlfb=3SU1900-0BE31-0AT0>

Service&Support (Manuals, Certificates, Characteristics, FAQs,...)

<https://support.industry.siemens.com/cs/ww/en/ps/3SU1900-0BE31-0AT0>

Image database (product images, 2D dimension drawings, 3D models, device circuit diagrams, EPLAN macros, ...)

http://www.automation.siemens.com/bilddb/cax_de.aspx?mlfb=3SU1900-0BE31-0AT0&lang=en



last modified:

3/29/2022