

PT. NO.	PARTS NAME	CAT. NO.	MATERIAL	Q'TY	NOTE
1	REEL	—	POLYSTYRENE	1	—
2	PLASTIC (EMBOSS) TAPE	—	PET RESIN OR PP RESIN	—	COLOR : TRANSPARENCY
3	COVER	—	POLYESTER	—	COLOR : TRANSPARENCY
4	CONNECTOR	BTFW_P-3SBTGLF	SEE ATTACHED DWG.	700	—

DIMENSIONS

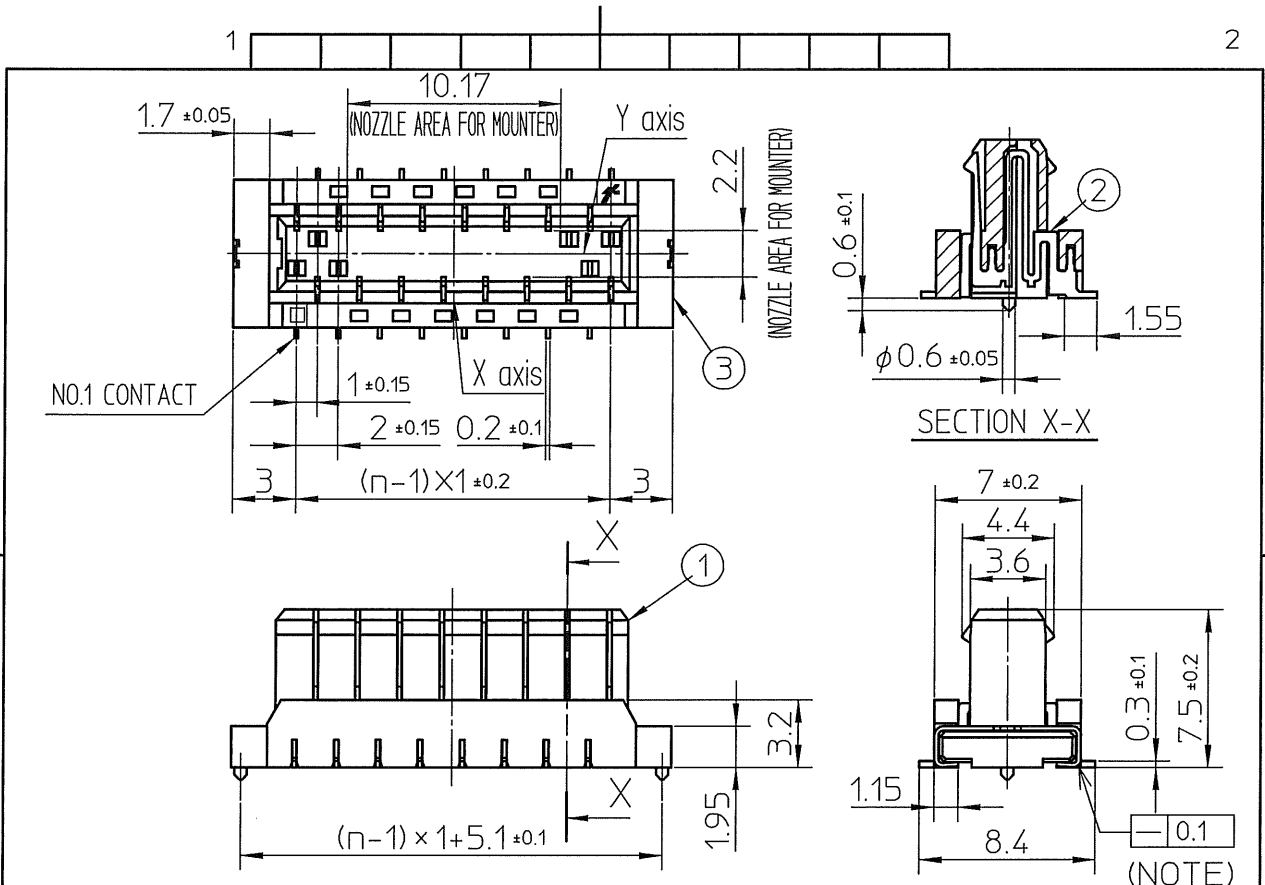
CATALOG NUMBER	NO. OF CONTACT(ONLY EVEN POS.)	A	B	C
BTFW10~14P-3SBTGE4LF	10~14	38.4	32	28.4
BTFW16~24P-3SBTGE4LF	16~24	50.4	44	40.4
BTFW26~30P-3SBTGE4LF	26~30	62.4	56	52.4

- NOTES**
1. THIS IS PLASTIC TAPE PACKAGED CONNECTOR USED FOR BOARD TO BOARD COPEES WITH AUTOMATIC MOUNTING (SMT).
 2. SEE JIS C 0806 (PACKING OF ELECTRONIC COMPONENTS ON CONTINUOUS TAPES (SURFACE MOUNTING DEVICES)) FOR SHAPE AND DIMENSIONS OF PLASTIC (EMBOSS) TAPE AND REEL.
 3. THIS DIMENSION IS PORTION OF THE CORE.

mat'l. code				surface ISO 1302 ✓	tolerance ISO 406 ISO 1101	projection	product family 590F		
ltr	ecn no	dr	date	tolerances unless otherwise specified				title PLASTIC TAPE PACKAGED BOARD TO BOARD PLUG CONNECTOR (GOLD PLATING, LEAD FREE AND PLASTIC REEL) (CAT.No.BTFW_P-3SBTGE4LF)	
A	J10-0042	M.K	Feb.19,'10	angles	linear ±5	scale			
				dr	M.Koga	Feb.19,'10		dwg no JSA 97488 sheet 1 of 1 size A4 type Product Customer Drawing	
				enr	M.Koga	Feb.19,'10			
				chr	K.Higuchi	Feb.19,'10			
				appd	M.Koga	Feb.19,'10			
sheet index	revision sheet								Rev A



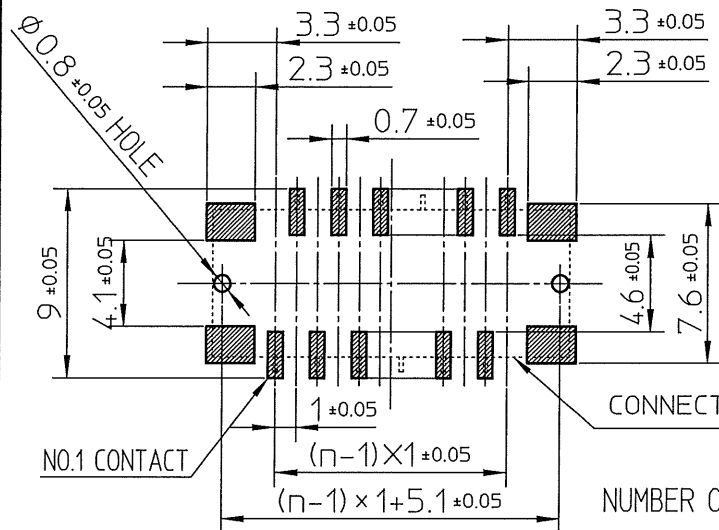
Copyright FCJ



PT. NO.	PARTS NAME	MATERIAL	Q'TY	NOTE
1	HOUSING	GLASS FILLED THERMOPLASTIC RATED.(UL94V-0)	1	COLOR:BRACK
2	CONTACT	PHOSPHOR BRONZE	n	PLATING CONTACT AREA:GOLD OVER NICKL TERMINAL AREA:TIN(LEAD FREE)
3	MOUNTING PLATE	BRASS	2	PLATING:TIN (LEAD FREE)

n:NO. OF CONTACTS

RECOMMENDED PC BOARD LAYOUT
(COMPONENT SIDE)

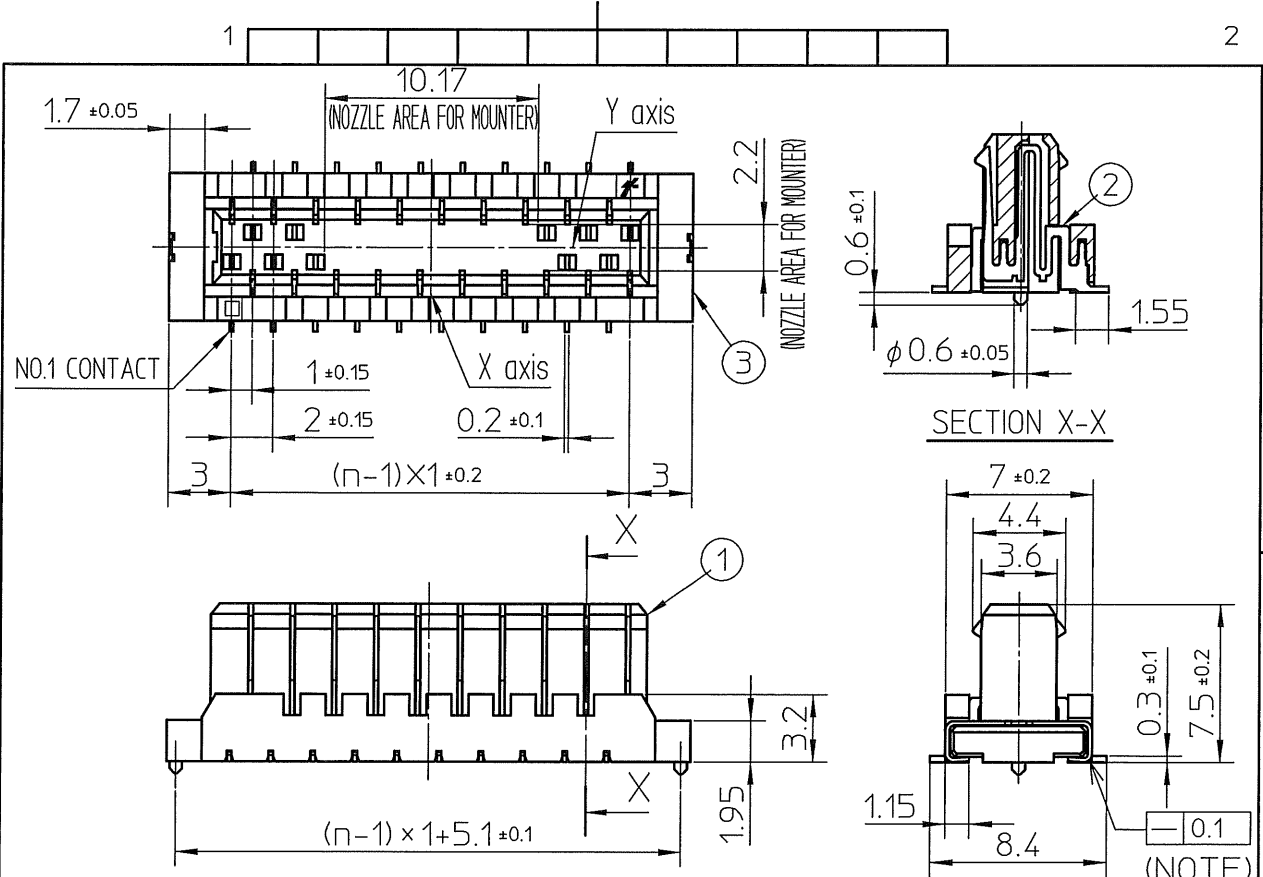


NOTE

- 1.This connector is symmetric for X,Y axis. As a result, It is possible to locate in emboss cavity even if rotated condition.
- 2.Flatness for contact terminal and mounting plate must be within 0.1.
- 3.This product meets European Union Directives and other country regulations as described in GS-22-008.

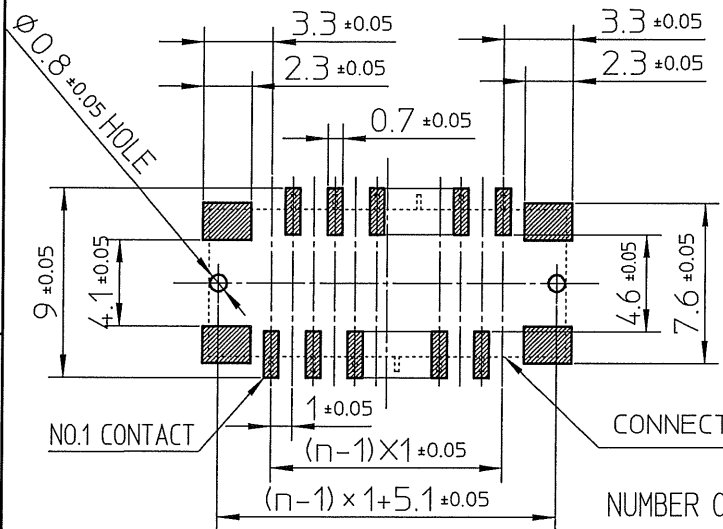
NUMBER OF CONTACTS : 10 TO 16 , ONLY EVEN POS.

mat'l. code				surface ISO 1302 ✓		tolerance ISO 406 ISO 1101		projection		product family 590F		
ltr	ecn no	dr	date	tolerances unless otherwise specified								
A	J10-0042	M.K	Feb.19,'10	angles		linear		±0.3		title		
								scale		FLOATING BOARD TO BOARD PLUG CONNECTOR (GOLD PLATING AND LEAD FREE) (Cat.No. BTFW__P-3SBTGLF)		
				dr	K.Higuchi	Feb.19,'10			dwg no		sheet 1 of 2	size
				enr	M.Koga	Feb.19,'10			JSA 97489		A4	
				chr	K.Higuchi	Feb.19,'10			type		Product Customer Drawing	
				appd	M.Koga	Feb.19,'10						
sheet index	revision sheet	A	A									
		1	2									



PT. NO.	PARTS NAME	MATERIAL	Q'TY	NOTE
1	HOUSING	GLASS FILLED THERMOPLASTIC RATED.(UL94V-0)	1	COLOR:BRACK
2	CONTACT	PHOSPHOR BRONZE	n	PLATING CONTACT AREA:GOLD OVER NICKL TERMINAL AREA:TIN(LEAD FREE)
3	MOUNTING PLATE	BRASS	2	PLATING:TIN (LEAD FREE)

RECOMMENDED PC BOARD LAYOUT
(COMPONENT SIDE)



n:NO. OF CONTACTS

NOTE
 1.This connector is symmetric for X,Y axis.
 As a result, It is possible to locate in
 emboss cavity even if rotated condition.
 2.Flatness for contact terminal and
 mounting plate must be within 0.1.
 3.This product meets European Union
 Directives and other country regulations
 as described in GS-22-008.

NUMBER OF CONTACTS : 18 TO 30 , ONLY EVEN POS.

mat'l. code				surface ISO 1302 ✓		tolerance ISO 406 ISO 1101		projection		product family 590F							
ltr	ecn no	dr	date	tolerances unless otherwise specified						title							
A	J10-0042	M.K	Feb.19'10	angles		linear		± 0.3		FLOATING BOARD TO BOARD PLUG CONNECTOR (GOLD PLATING AND LEAD FREE) (Cat.No. BTFW__P-3SBTGLF)							
				dr		K.Higuchi		Feb.19'10		scale		dwg no		sheet 2 of 2		size	
				enr		M.Koga		Feb.19'10		FCJ		JSA 97489		A4			
				chr		K.Higuchi		Feb.19'10				type				Product Customer Drawing	
sheet index		revision sheet		A		A										Rev	
				1		2										A	



FCJconnect.com

Copyright FCJ