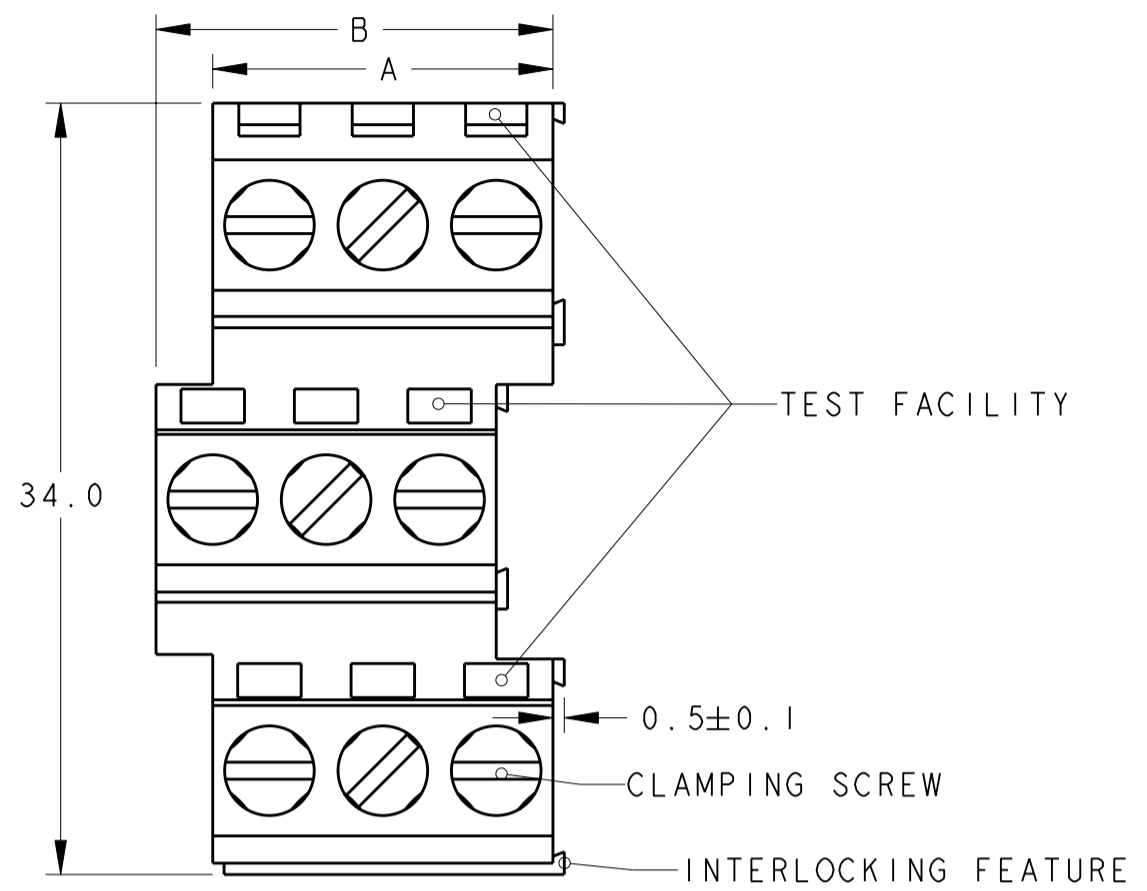
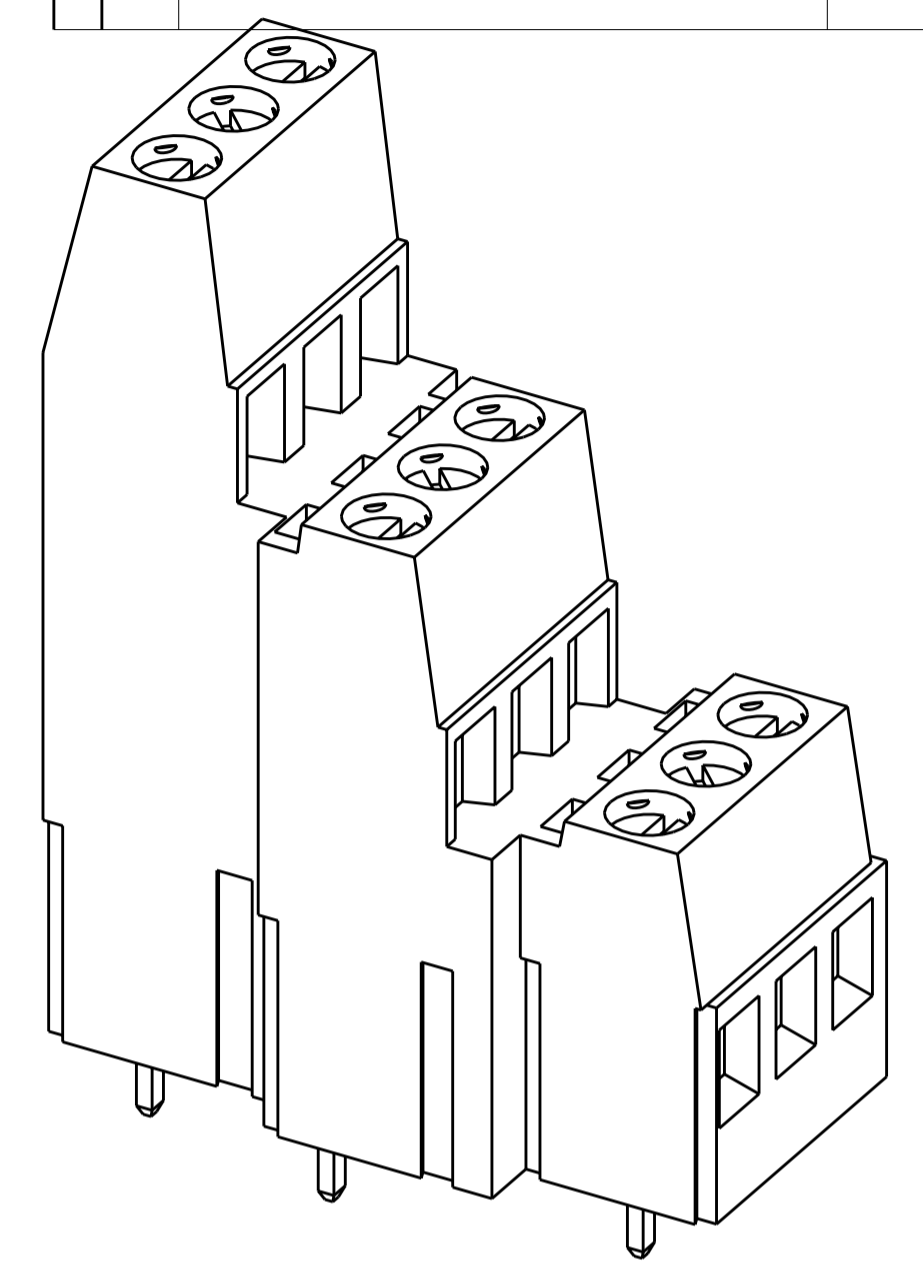
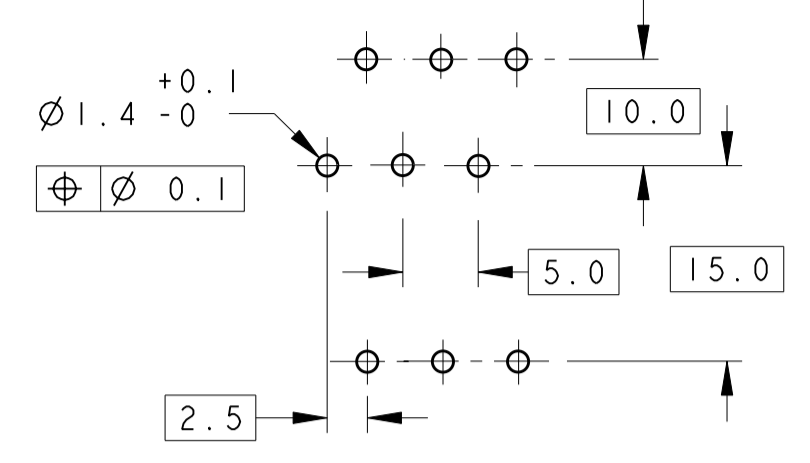


THIS DRAWING IS UNPUBLISHED. RELEASED FOR PUBLICATION 20
 © COPYRIGHT 20 BY TYCO ELECTRONICS CORPORATION. ALL RIGHTS RESERVED.

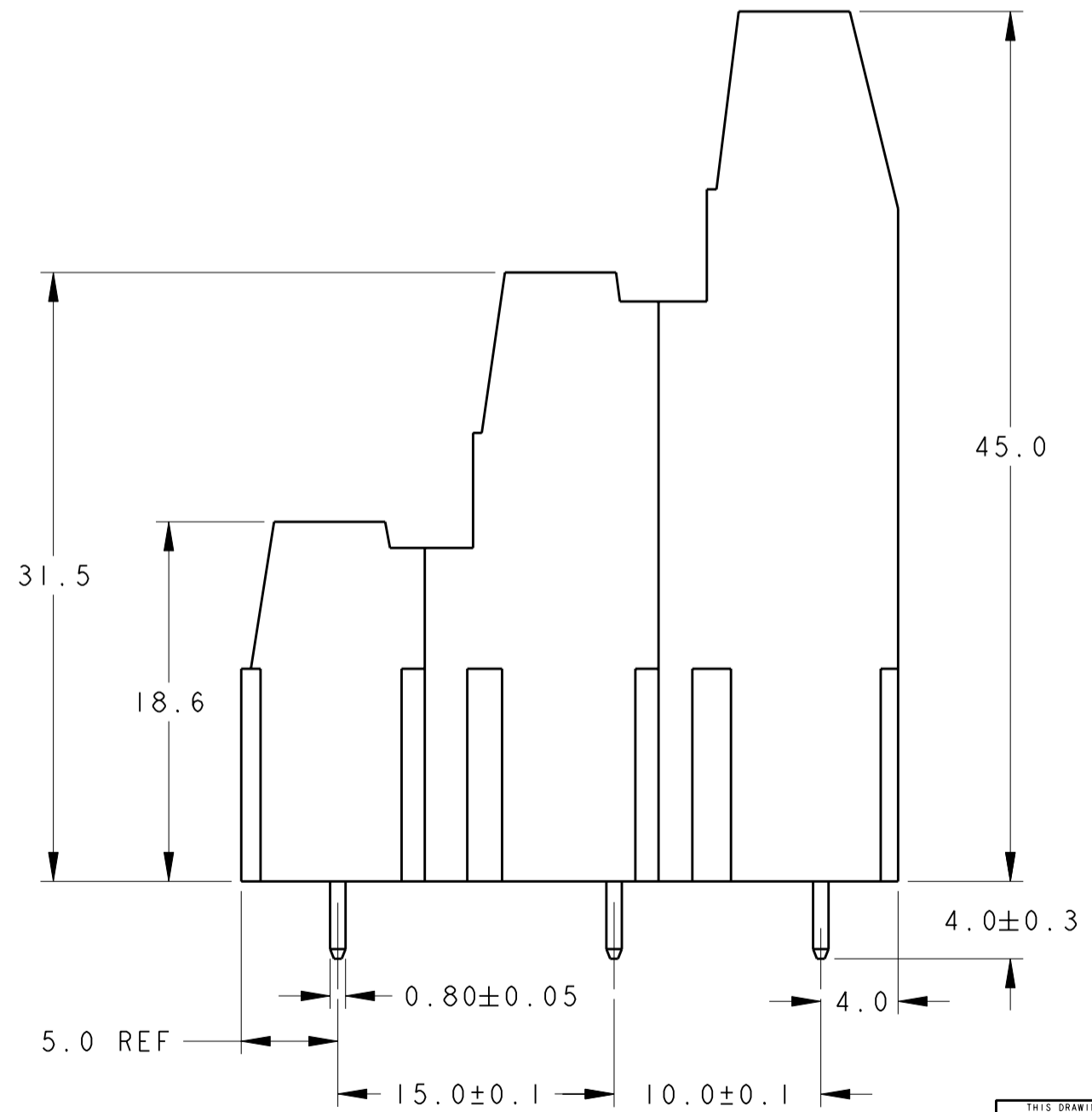
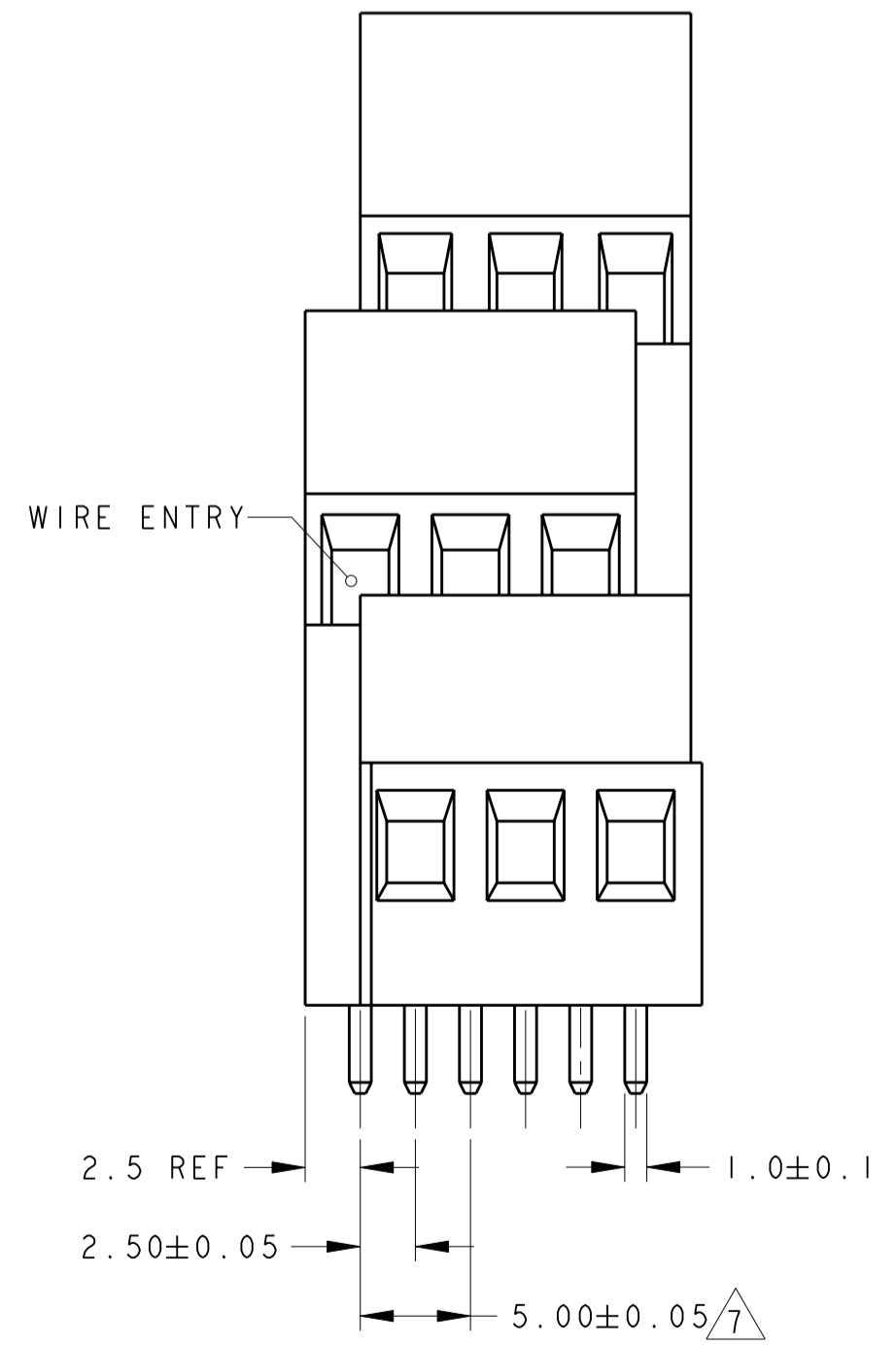
REVISIONS				
P	LTR	DESCRIPTION	DATE	APVD
CI		REVISED PER ECO-08-029356	24NOV2008	HMR CR



RECOMMENDED PC BOARD LAYOUT



282916-3 AS SHOWN



- 1 MATERIALS AND FINISH
 HOUSING: PA 6-6, UL 94-V0, COLOR: SEE TABLE.
 CLAMP: BRASS, NICKEL PLATED.
 TERMINAL: BRASS, TIN PLATED.
 CLAMPING SCREW: M3, BRASS, NICKEL PLATED.
- 2 SUITABLE FOR 1,6-2,4mm PC BOARD THICKNESS.
- 3 END-TO-END STACKABLE W/INTERLOCK WITHOUT LOSS OF CENTERLINE SPACING.
- 4 WIRE SIZE RANGE
 12 - 30 AWG
- 5 RECOGNIZED UNDER THE COMPONENT PROGRAM OF UNDERWRITERS LABORATORIES INC. FILE N° E60677.
- 6 IMQ CERTIFICATE WITH SURVEILLANCE IN CONFORMITY WITH IEC 998-1/998-2-1.
- 7 NOT CUMULATIVE TOLERANCE.

HOUSING COLOR	DIM. B	DIM. A	N° OF POS.	PART NUMBER
GRAY	17.5	15	3	1-282916-3
GREEN	17.5	15	3	282916-3
GREEN	12.5	10	2	282916-2

THIS DRAWING IS A CONTROLLED DOCUMENT FOR TYCO ELECTRONICS CORPORATION. IT IS SUBJECT TO CHANGE AND THE CONTROLLING ENGINEERING ORGANIZATION SHOULD BE CONTACTED FOR THE LATEST REVISION.

DIMENSIONS:	TOLERANCES UNLESS OTHERWISE SPECIFIED:	DWN	21DEC2001	Tyco Electronics Harrisburg, PA 17105-3608			
mm	0 PLC ±-	CHK	21DEC2001				
	1 PLC ±.3	APVD	21DEC2001				
	2 PLC ±.25	NAME					
	3 PLC ±-	PRODUCT SPEC	108-20166	TERMINAL BLOCK, PCB MOUNT THREE LEVEL STACKING WITH INTERLOCK, 5mm PITCH			
	4 PLC ±-	APPLICATION SPEC	114-20079				
MATERIAL	ANGLES ±2	WEIGHT	-	SIZE	CAGE CODE	DRAWING NO	RESTRICTED TO
	FINISH			A2	00779	C-282916	-

CUSTOMER DRAWING SCALE 3:1 SHEET 1 OF 1 REV CI