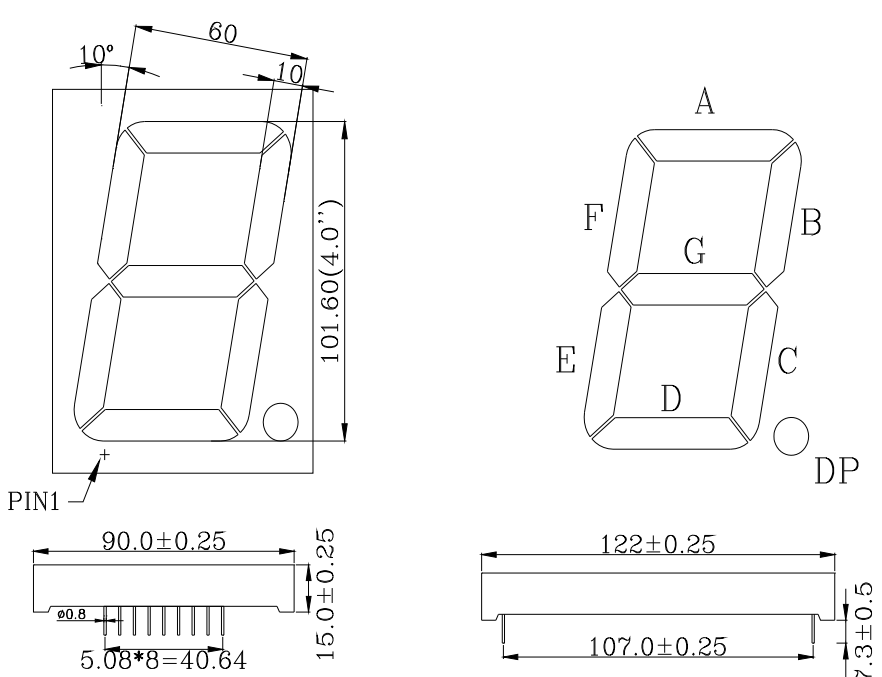


SPECIFICATIONS CDSABF400R2GT2WB

OUTLINES DIMENSIONS



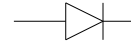
Top view dimensions: 60mm width, 101.60(4.0") height, 10° angle, 10mm offset, PIN1 location.


Side view dimensions: 90.0±0.25mm length, 15.0±0.25mm height, 5.08*8=40.64mm width of pins, 0.8mm pin diameter.

Another side view dimensions: 122±0.25mm length, 107.0±0.25mm length, 7.3±0.5mm height.

Pin layout: 15, 14, 13, 12, 7, 6, 5, 4, 2, 1, 18, 17, 11, 10, 9, 8.

Legend:

 PURE GREEN

 SUPER RED

Notes:
 1. All Dimensions are in millimeters (inches).
 2. Tolerance is ± 0.25mm (0.01") unless otherwise noted.
 3. Specifications are subject to change without notice.

Part Number	Chip Material	Color of Emission	Lens /Face	Description
CDSABF400R2GT2WB	InGaAlP	Red	White/Black	Common Anode
	InGaN	True Green		



ChromeLED Corp. reserves the right to make changes at any time in order to supply the best product possible. The most current version of this document will always be available at: www.chromeled.com

ABSOLUTE MAXIMUM RATINGS - RED (InGaAlP)
(TA=25°C)

Parameter	Symbol	Max Rating	Unit
Power Dissipation	PD	80	mW
Pulse Forward Current	IFP	120	mA
Continuous Forward Current	IF	20	mA
Reverse Voltage	VR	5	V
Operating Temperature Range	TOPR	-35~+85	°C
Storage Temperature Range	TSTG	-35~+85	°C
IFP = Pulse Width ≤ 10 ms, Duty Ratio ≤ 1/10. Soldering Condition: 260 °C/ 5sec			

OPTICAL-ELECTRICAL CHARACTERISTICS - RED (InGaAlP)
(TA=25°C)

Parameter	Symbol	Test Condition	Value			Unit
			Min	Typ	Max	
Luminous Intensity	IV	IF = 20mA	26	60	-	mcd
Forward Voltage	VF	IF = 20mA	-	2.1	2.4	V
Reverse Leakage Current	IR	VR = 40V	-	-	10	μA
Peak Wavelength	λP	IF = 20mA	-	628	-	nm
Dominant Wavelength	λD	IF = 20mA	-	630	-	nm
Spectral Radiation Bandwidth	Δλ	IF = 20mA	-	20	-	nm



ChromeLED Corp. reserves the right to make changes at any time in order to supply the best product possible. The most current version of this document will always be available at: www.chromeled.com

ABSOLUTE MAXIMUM RATINGS - TRUE GREEN (InGaN) (TA=25°C)

Parameter	Symbol	Max Rating	Unit
Power Dissipation	PD	80	mW
Pulse Forward Current	IFP	120	mA
Continuous Forward Current	IF	20	mA
Reverse Voltage	VR	5	V
Operating Temperature Range	TOPR	-35~+85	°C
Storage Temperature Range	TSTG	-35~+85	°C
IFP = Pulse Width ≤ 10 ms, Duty Ratio ≤ 1/10. Soldering Condition: 260 °C/ 5sec			

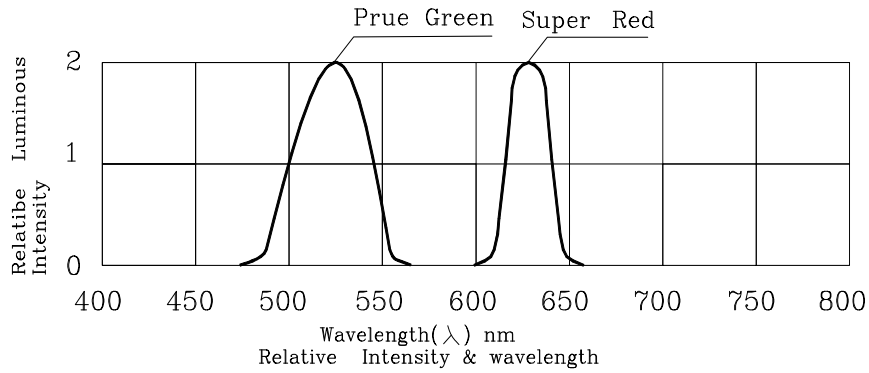
OPTICAL-ELECTRICAL CHARACTERISTICS - TRUE GREEN (InGaN) (TA=25°C)

Parameter	Symbol	Test Condition	Value			Unit
			Min	Typ	Max	
Luminous Intensity	IV	IF = 20mA	26	60	-	mcd
Forward Voltage	VF	IF = 20mA	-	3.2	3.5	V
Reverse Leakage Current	IR	VR = 40V	-	-	10	µA
Peak Wavelength	λP	IF = 20mA	-	525	-	nm
Spectral Radiation Bandwidth	Δλ	IF = 20mA	-	30	-	nm

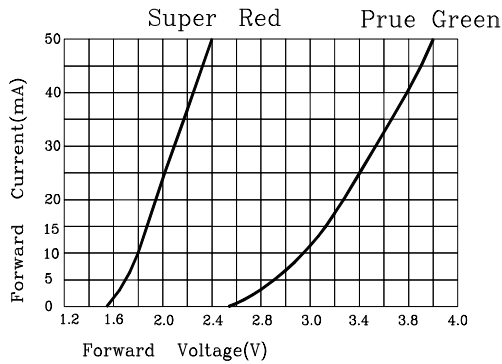


ChromeLED Corp. reserves the right to make changes at any time in order to supply the best product possible. The most current version of this document will always be available at: www.chromeled.com

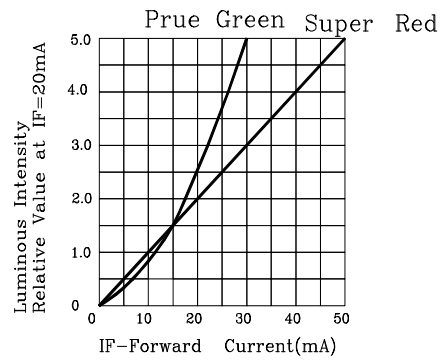
OPTICAL CHARACTERISTIC CURVES



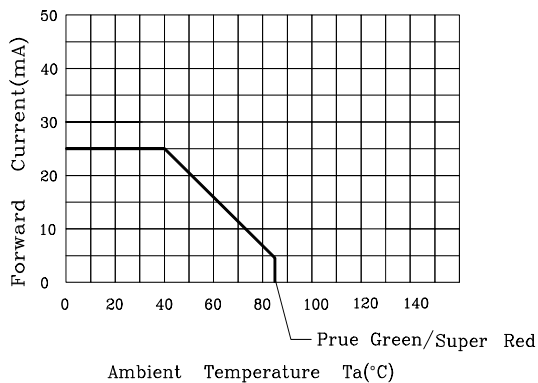
FORWARD CURRENT VS FORWARD VOLTAGE



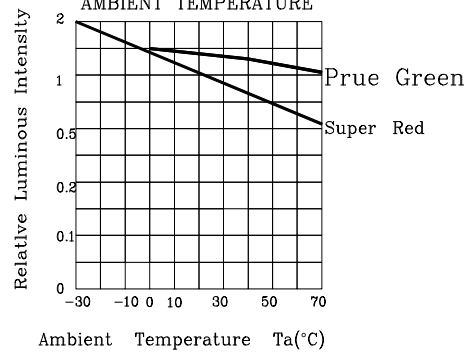
RELATIVE INTENSITY VS FORWARD CURRENT



FORWARD CURRENT VS DERATING CURVE



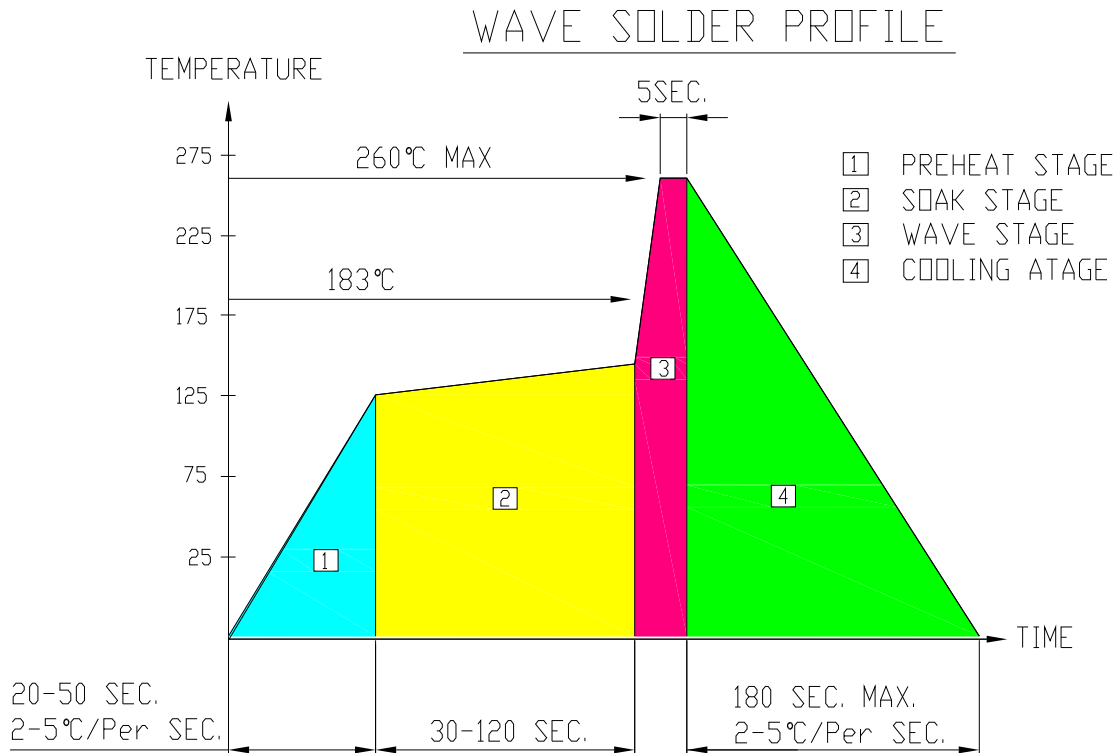
LUMINOUS INTENSITY VS AMBIENT TEMPERATURE



ChromeLED Corp. reserves the right to make changes at any time in order to supply the best product possible. The most current version of this document will always be available at: www.chromeled.com

RECOMMENDED SOLDERING PROFILE

● RECOMMEND SOLDERING PROFILE



● SOLDERING IRON

Basic spec is ≤ 4 sec when 260°C. If temperature is higher, time should be shorter (+10°C → 1 sec). Power dissipation of Iron should be smaller than 15W, and temperature should be controllable. Surface temperature of the device should be under 230°C.

● REWORK

Customer must finish rework within ≤ 4 sec under 245°C.



ChromeLED Corp. reserves the right to make changes at any time in order to supply the best product possible. The most current version of this document will always be available at: www.chromeled.com