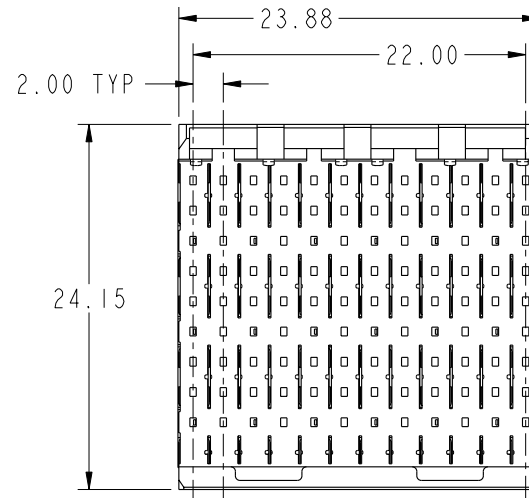
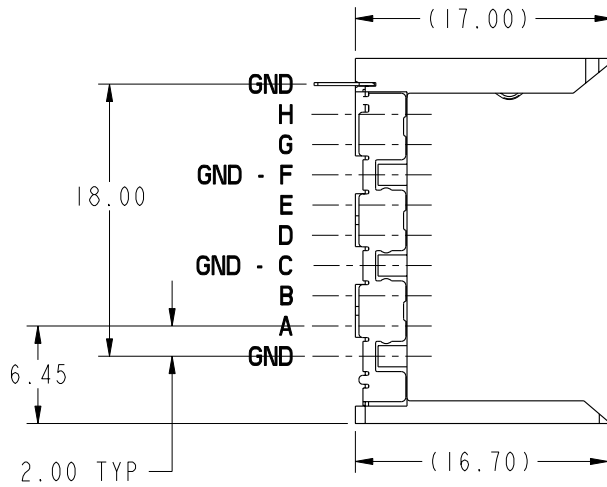
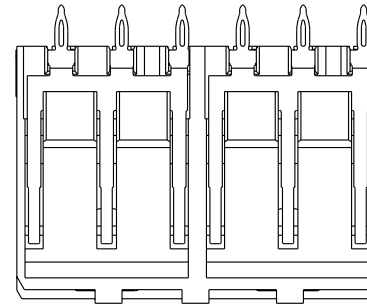




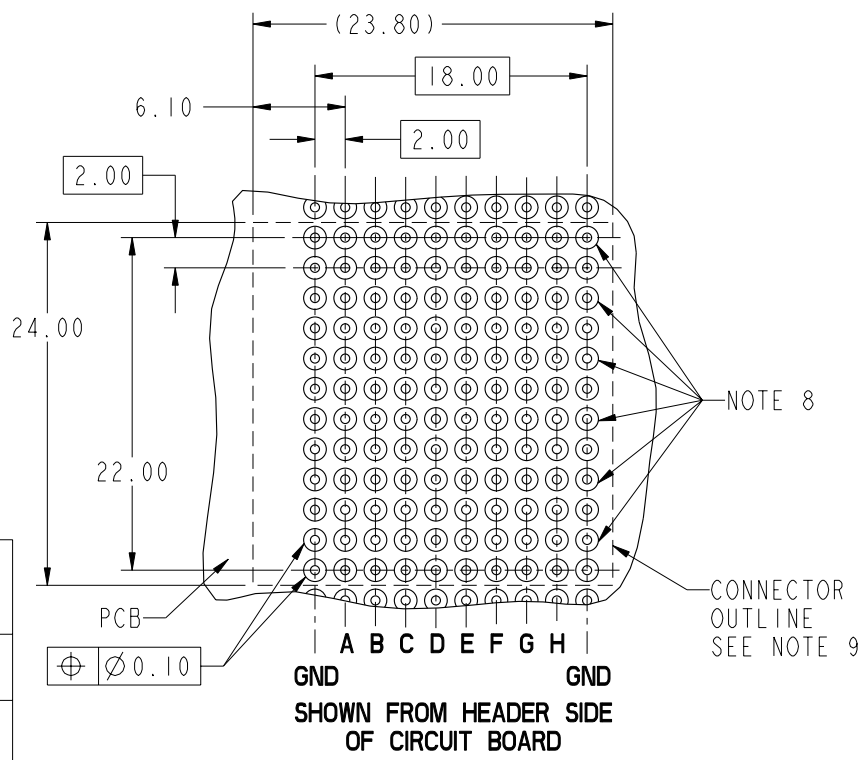
This document is the property of and embodies CONFIDENTIAL and PROPRIETARY information of FCI. No part of the information shown on this document may be used in any way or disclosed to others without the written consent of FCI. Copyright FCI.

PRODUCT NUMBER	PLATING PERFORMANCE LEVEL	PRESS FIT TAIL PLATING
84625-102	TELCORDIA CO	STANDARD (SnPb)
84625-102LF		LEAD FREE (Sn)
84625-502	TELCORDIA UE	STANDARD (SnPb)
84625-502LF		LEAD FREE (Sn)



mat'l code				tolerances unless otherwise specified		CUSTOMER	FCI	
SEE NOTE 5						COPY	www.fciconnect.com	
ltr	ecn no.	dr	date	linear	0.X ± 0.3	projection	title	
A	V90180	L-IV	1999-04-13		0.XX ± 0.13		VERTICAL SIGNAL HDR. SHROUD	
B	V92853	SAK	1999-08-25		.XXX ± .051		8 ROW P.F. 96 POS. EXT.	
C	V94091	MRS	1999-11-10	angles	0° ± 2°		product family	METRAL 2000
D	V12224	EPK	2001-09-14	dr	E. KROPER. 2001-09-14		size	code
E	V05-0797	VS	2005-09-01	engr	J. VOLSTORF 2001-09-14	scale	dwg no	1 of 3
F	V06-0569	DCH	2006-06-12	chr	J. VOLSTORF 2001-09-14	2:1	84625	
G	V08-0058	HTB	2008-02-07	appd	J. VOLSTORF 2001-09-14		A	
sheet index	revision sheet	G 1	G 2	G 3				

PRODUCT NUMBER
SEE SHEET 1



	OPTION 1 ROWS GND-PIN, A,B,C,D,E	OPTION 2 ROW GND-SPRING
PRESS-FIT HOLES		
HOLE DIAMETER AFTER PLATING	0.65-0.80	0.45-0.55
DRILLED HOLE	0.81-0.86 (0.85 DRILL)	0.60±0.02
COPPER PLATING	0.025 MIN	0.025 MIN
SnPb PLATING	0.005-0.015	0.005-0.015



This document is the property of and embodies
 CONFIDENTIAL and PROPRIETARY information of FCI.
 No part of the information shown on this
 document may be used in any way or disclosed
 to others without the written consent of FCI.
 Copyright FCI.

mat'l code SEE NOTE 5				tolerances unless otherwise specified		CUSTOMER	FCI www.fciconnect.com		
ltr	ecm no.	dr	date	linear	0.X ±0.3	COPY	title		
G				angles	0.XX ±0.13	projection	VERTICAL SIGNAL HDR. SHROUD 8 ROW P.F. 96 POS. EXT.		
				dr	.XXX ±.051	 MM 2:1	product family	METRAL 2000	code
				enr	0° ±2"		size	dwg no	213
				chr	E. KROPER. 2001-09-14		A	84625	sheet
				appd	J. VOLSTORF 2001-09-14				2
sheet index	revision sheet								

PRODUCT NUMBER
SEE SHEET 1

NOTES:

- 1. SEE APPLICATION SPECIFICATION GS-20-010 FOR INFORMATION ON AVAILABLE TOOLING, CIRCUIT BOARD DESIGN CONSIDERATIONS, REPAIR PROCEDURES AND PRODUCT OFFERINGS.
- 2. SEE FCI PUBLICATION 950511-028 FOR "ELECTRICAL PERFORMANCE DATA FOR DIFFERENTIAL APPLICATIONS."
- 3. SEE FCI PUBLICATION 950511-029 FOR "ELECTRICAL PERFORMANCE DATA FOR SINGLE-ENDED APPLICATION."
- 4. UNLESS OTHERWISE SPECIFIED, ALL DIMENSIONS AND TOLERANCES ARE IN ACCORDANCE WITH ASME Y14.5, 1994
- 5. HOUSING MATERIAL: LIQUID CRYSTAL POLYMER, 30% GLASS FILLED, FLAME RETARDANT PER UL 94-V0. GROUND SPRING MATERIAL: PHOSPHER BRONZE STRIPLINE SHIELD MATERIAL: PHOSPHER BRONZE
- 6. PLATING INFORMATION: SEE TABLE
- 7. THE MIN PCB THICKNESS FOR REAR PLUG-UP APPLICATIONS IS 2.9mm SINCE THE COMPLIANT SECTIONS OF THE GROUND SPRING OF THE HEADER DIRECTLY OPPOSE THE GROUND SPRING OF THE SHROUD.
- 8. THESE HOLES ARE NEEDED FOR REAR PLUG-UP DESIGNS USING A SHROUD. ALL OTHER HOLES ARE FOR THE HEADER.
- 9. THE 'SHROUD OUTLINE' IS THE MIN OUTLINE REQUIRED. TO DETERMINE THE OUTLINE NECESSARY TO PERMIT THE VARIOUS TYPES OF REPAIR OPERATIONS, SEE APPLICATION SPECIFICATION GS-20-010.
- 10. CURRENT RATING: 1 AMP PER PIN
- 11. TEMPERATURE RANGE: -55°C TO +105°C
- 12. PRODUCTS WHERE THE PART NUMBERS ENDS IN LF MEET EUROPEAN UNION DIRECTIVES AND OTHER COUNTRY REGULATIONS AS DESCRIBED IN GS-22-008.
- 13. ALL PRODUCTS WILL WITHSTAND EXPOSURE TO 260°C FOR 60 SECONDS IN A CONVECTION, INFRA-RED OR VAPOR PHASE REFLOW OVEN. FOR LEAD FREE PART NUMBERS, ADD 'LF' SUFFIX EXAMPLE: 84625-X02LF



This document is the property of and embodies CONFIDENTIAL and PROPRIETARY information of FCI. No part of the information shown on this document may be used in any way or disclosed to others without the written consent of FCI. Copyright FCI.

mat'l code SEE NOTE 5				tolerances unless otherwise specified			CUSTOMER		FCI www.fciconnect.com		
ltr	ecr no.	dr	date	linear	0.X ±0.3		COPY		title VERTICAL SIGNAL HDR. SHROUD 8 ROW P.F. 96 POS. EXT.		
G					0.XX ±0.13		projection				
					.XXX ±.051						
				angles	0° ±2°						
				dr	E. KROPER.	2001-09-14	MM		product family	METRAL 2000	code
				enr	J. VOLSTORF	2001-09-14			size	dwg no	213
				chr	J. VOLSTORF	2001-09-14	scale		A	84625	sheet
				appd	J. VOLSTORF	2001-09-14	2:1				3
sheet index	revision sheet										