



Micro Commercial Components

Micro Commercial Components
 20736 Marilla Street Chatsworth
 CA 91311
 Phone: (818) 701-4933
 Fax: (818) 701-4939

MC7915CT

Features

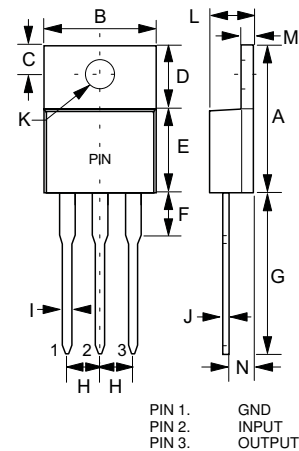
- Output current in excess of 1.0 Ampere
- No external components required
- Internal thermal overload protection
- Internal short-circuit current limiting
- Output voltage offered in 2% tolerance
- Case Material: Molded Plastic. UL Flammability Classification Rating 94V-0

Three-Terminal Negative Voltage Regulators

Maximum Ratings @ T_a=25°C, Unless Otherwise Noted

Parameter	Symbol	Value	Unit
Input Voltage	V _i	-35	V
Operating Ambient Temperature	P _D	15	W
Operating Junction Temperature	T _{OPR}	0---+150	°C
Storage Temperature Range	T _{STG}	-55---+150	°C

TO-220



DIMENSIONS

DIM	INCHES		MM		NOTE
	MIN	MAX	MIN	MAX	
A	.560	.625	14.22	15.88	
B	.380	.420	9.65	10.67	
C	.100	.135	2.54	3.43	
D	.230	.270	5.84	6.86	
E	.380	.420	9.65	10.67	
F	-----	.250	-----	6.35	
G	.500	.580	12.70	14.73	
H	.090	.110	2.29	2.79	
I	.020	.045	0.51	1.14	
J	.012	.025	0.30	0.64	
K	.139	.161	3.53	4.09	Ø
L	.140	.190	3.56	4.83	
M	.045	.055	1.14	1.40	
N	.080	.115	2.03	2.92	

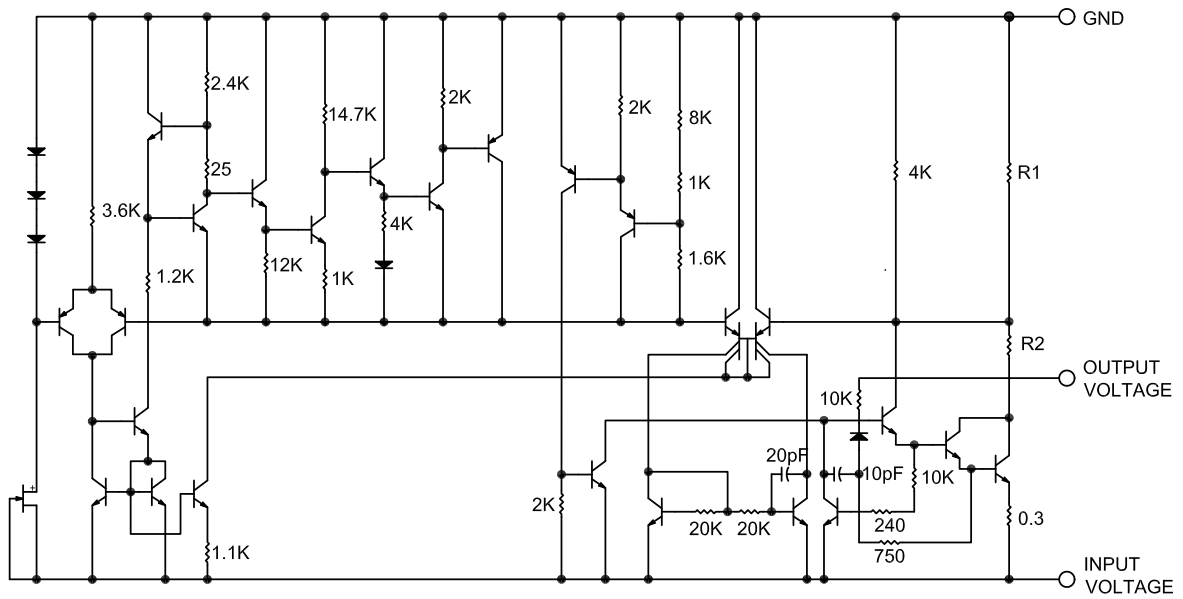
MC7915CT

Electrical Characteristics ($V_i=23V$, $I_o=500mA$, $0^\circ C < T_j < 125^\circ C$, $C_i=2.0\mu F$, $C_o=1.0\mu F$, Unless Otherwise Specified)

Parameter	Sym	Min	Typ	Max	Test conditions
Output Voltage	V_o	-14.7V	-15.0V	-15.3V	$T_j=25^\circ C$
		-14.55V		15.45V	$-17.5V \leq V_i \leq -30V$, $5mA \leq I_o \leq 1.0A$, $P_o=15W$
Load Regulation	ΔV_o		12mV	300mV	$5mA \leq I_o \leq 1.5A$, $T_j=25^\circ C$,
			4.0mV	150mV	$250mA \leq I_o \leq 750mA$, $T_j=25^\circ C$
Line regulation	ΔV_o		11mV 3.0mV	300mV 150mV	$-17.5V \leq V_i \leq -30V$, $T_j=25^\circ C$ $-16V \leq V_i \leq -22V$, $T_j=25^\circ C$
Quiescent Current	I_q		2.5mA	5.0mA	$T_j=25^\circ C$, $I_o=0$
Quiescent Current Change	ΔI_q			1.0mA 0.5mA	$-17.5V \leq V_i \leq -30V$ $5mA \leq I_o \leq 1.0A$
Output Noise Voltage	V_N		90 μ V		$10Hz \leq f \leq 100KHz$ $T_j=25^\circ C$
Ripple Rejection	RR	54dB	69dB		$f=120Hz$
Dropout Voltage	V_d		1.1V		$I_o=1.0A$, $T_j=25^\circ C$
Peak Output Current	I_{opeak}		2.1A		$T_j=25^\circ C$
Temperature Coefficient of Output voltage	$\Delta V_o/\Delta T_j$		-0.9mV/ $^\circ C$		$0^\circ C \leq T_j \leq 125^\circ C$, $I_o=5mA$

MC7915CT

Representation Schematic Diagram





Micro Commercial Components

Ordering Information

Device (Part Number)-BP	Packing Bulk;1Kpcs/Box
----------------------------	---------------------------

*****IMPORTANT NOTICE*****

Micro Commercial Components Corp. reserves the right to make changes without further notice to any product herein to make corrections, modifications , enhancements , improvements , or other changes . *Micro Commercial Components Corp.* does not assume any liability arising out of the application or use of any product described herein; neither does it convey any license under its patent rights ,nor the rights of others . The user of products in such applications shall assume all risks of such use and will agree to hold *Micro Commercial Components Corp.* and all the companies whose products are represented on our website, harmless against all damages.

*****APPLICATIONS DISCLAIMER*****

Products offer by *Micro Commercial Components Corp.* are not intended for use in Medical, Aerospace or Military Applications.