


HC-M-02-MOD-ST

Order No.: 1679346

<http://eshop.phoenixcontact.de/phoenix/treeViewClick.do?UID=1679346>HEAVYCON contact insert module, male, 2-pos., axial screw
connection**Commercial data**

GTIN (EAN)	 4 017918 162528
sales group	D042
Pack	2 pcs.
Customs tariff	85369010
Catalog page information	Page 453 (PC-2009)

Product notesWEEE/RoHS-compliant since:
06/30/2006

[http://
www.download.phoenixcontact.com](http://www.download.phoenixcontact.com)
Please note that the data given
here has been taken from the
online catalog. For comprehensive
information and data, please refer
to the user documentation. The
General Terms and Conditions of
Use apply to Internet downloads.

Technical data**Electrical characteristics**

Note	For housing HC-B6 to B48, for housing HC-ADVANCE-B6 to B24, hinged retaining frame HC-M-MHR... necessary
Rated voltage (III/3)	1000 V
Rated current	40 A
Rated surge voltage	8 kV
Ambient temperature (operation)	-40 °C ... 125 °C
Number of positions	2

Mechanical characteristics

Conductor cross-section	2.5 mm ² ... 8 mm ²
Connection cross-section AWG	12 ... 10
Stripping length of the individual wire	8 mm + 1 (for 6 mm ²)
	5 mm + 1 (For 2.5 mm ² ... 4 mm ²)
	11 mm +1 (for 8 mm ²)
Tightening torque	1.5 Nm (2.5 - 4 mm ²)
	2 Nm (6 -8 mm ²)
Wire diameter including insulation	6 mm (6 mm ²)
	10.5 mm (8 mm ²)
	4 mm (2.5 mm ² ... 4 mm ²)
Hexagonal socket	WAF 2
Insertion/withdrawal cycles	≥ 500

General characteristics

Number of module slots	1
Connection method	Axial screw connection
Connection in acc. with standard	IEC / EN
Inflammability class acc. to UL 94	V0
Pollution degree	3
Surge voltage category	III
Assembly instructions	- Connection of the wires using a 2 mm Allen wrench.- Housing height ≥ 52 mm.- Axial screw connection only for flexible wires.- Plug-in connections may only be operated only when there is no load/voltage.
Connection	Note regarding axial connection technology: Only for stranded wires. The conductor cross-sections stated refer to the geometric cross-section of the cable used. Use of cables with a geometric cross-section very different from that of the cable's nominal cross-section should be checked before use. The wiring space of the axial screw method is designed for fine strand cables according to VDE 0295 class 5. Deviating cable structures (e.g. class 6 cables) should be checked before use. Connection Before starting to connect, ensure that the tapered screw is turned back all the way (chamber is open). The cables must not be twisted. The cores should be slid to the limit stop in the contact chamber (until insulation touches contact). Hold cores in position and use socket wrench to tighten. The used core end should be cut off before connecting again. The connection screw may only be retightened once to prevent the strands from breaking. To prevent damage to the contact, the core / cable should be mechanically intercepted at an appropriate distance from the connection point (e.g. by using a plate cutout). DIN VDE 0100-520:2003-06 contains information on how to do this correctly.

Material data

Contact material	Copper alloy
Contact surface material	Ag
Contact carrier material	PC

Certificates / Approvals



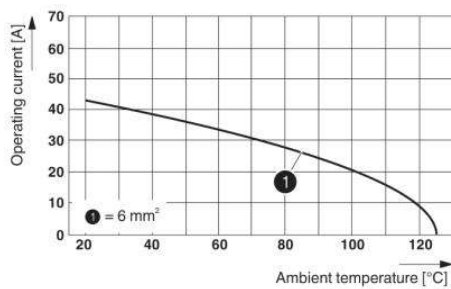
Certification CUL, GOST, UL

Accessories

Item	Designation	Description
1636981	HC-M-MHR-PE16	Cable lug for HEAVYCON-MODULAR; PE connection extension to 16 mm ² , for crimping with crimp pliers

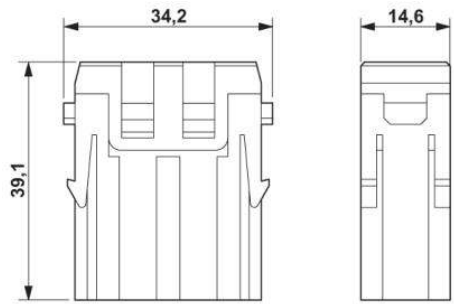
Diagrams/Drawings

Diagram



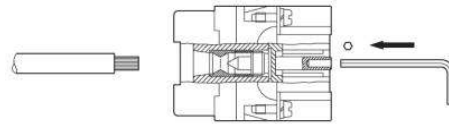
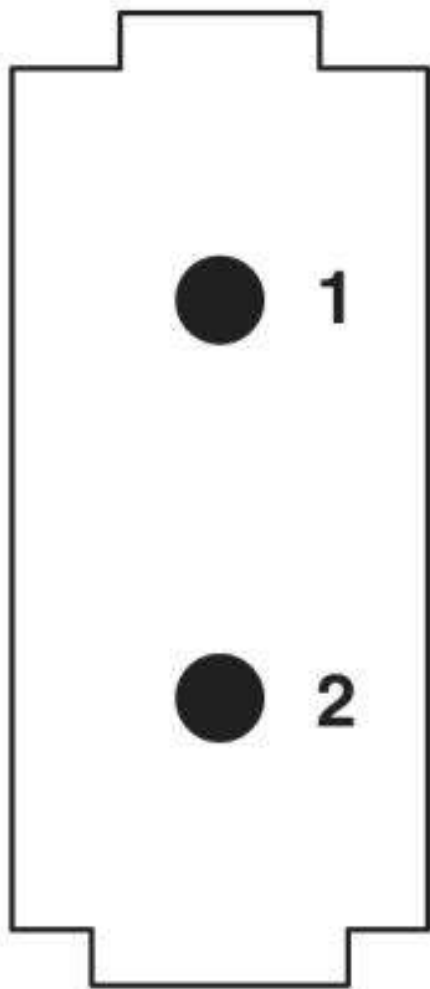
Derating diagram (6 modules in HC-B 24 housing)

Dimensioned drawing



Male insert

Schematic diagram



Axial connection

Connector pin assignment

Address

PHOENIX CONTACT Deutschland GmbH
Flachmarktstr. 8
32825 Blomberg, Germany
Phone +49 5235 3 12000
Fax +49 5235 3 41200
<http://www.phoenixcontact.de>



© 2010 Phoenix Contact
Technical modifications reserved;