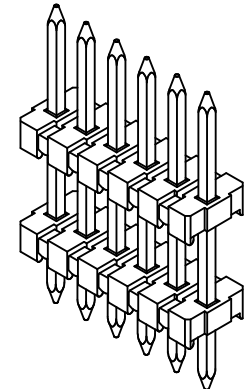
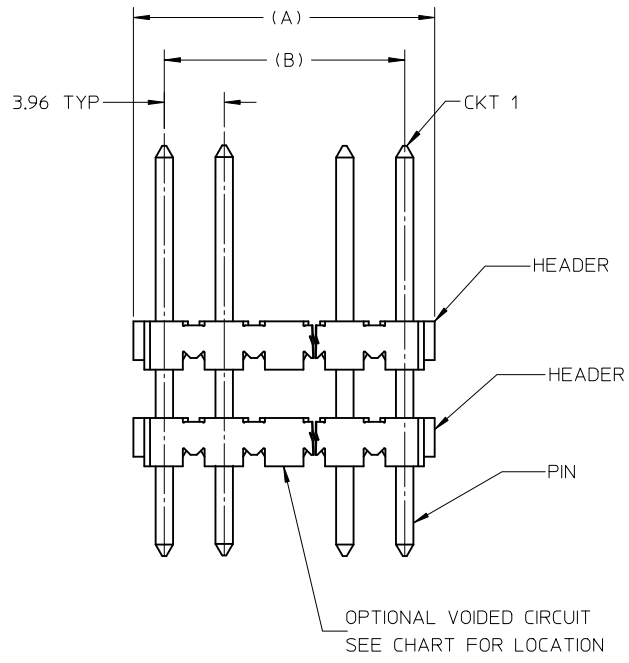
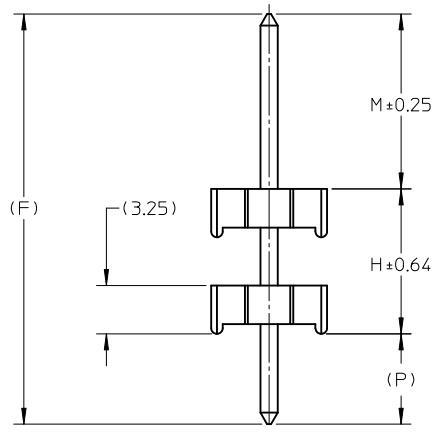


PCB LAYOUT : COMPONENT SIDE  
RECOMMENDED PCB THICKNESS : 1.57



6 CKT ISO SHOWN FOR REF. ONLY

CKT SIZE	A	B
4	15.26	11.89
5	19.22	15.85
6	23.18	19.81
7	27.14	23.77
8	31.11	27.74
9	35.07	31.70
10	39.03	35.66
11	42.99	39.62
12	46.96	43.59
13	50.92	47.55
14	54.88	51.51
15	58.84	55.47
16	62.81	59.44
17	66.77	63.40
18	70.73	67.36
19	74.69	71.32
20	78.66	75.29
21	82.62	79.25
22	86.58	83.21
23	90.54	87.17
24	94.49	91.14

NOTES :

- MATERIAL :  
HOUSING : POLYESTER, UL94V-0, COLOR : BLACK  
PIN : 1.14MM SQ PIN BRASS.
- FINISH :  
(1) : 5.08µm MIN TIN OVER 2.54µm MIN COPPER OVERALL.  
(2) : 0.38µm MIN GOLD OVER 1.25µm MIN NICKEL OVERALL.  
(3) : 2.50µm MIN TIN OVER 1.25µm MIN NICKEL OVERALL.  
(4) : 0.38µm MIN GOLD OVER 2.50µm MIN TIN OVER 1.25µm MIN NICKEL OVERALL.
- PRODUCT SPECIFICATION : PS-68340-014.
- PARTS ARE NOT STACKABLE ON 3.96MM CENTERS.

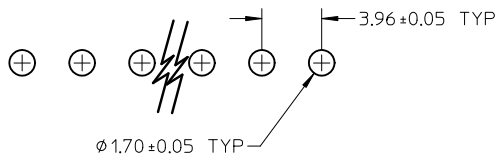
<b>REVISED</b> EC NO: S2010-0518 DRWN:SKANG 2009/12/21 CHKD:ATSEE 2010/01/08 APPR:MLONG 2010/01/09	QUALITY SYMBOLS	GENERAL TOLERANCES (UNLESS SPECIFIED)	DIMENSION STYLE	SCALE	DESIGN UNITS	THIRD ANGLE PROJECTION															
	▽=0 ◻=0	<table border="1"> <thead> <tr> <th></th> <th>mm</th> <th>INCH</th> </tr> </thead> <tbody> <tr> <td>4 PLACES</td> <td>± ---</td> <td>± ---</td> </tr> <tr> <td>3 PLACES</td> <td>± ---</td> <td>± ---</td> </tr> <tr> <td>2 PLACES</td> <td>± 0.25</td> <td>± ---</td> </tr> <tr> <td>1 PLACE</td> <td>± ---</td> <td>± ---</td> </tr> </tbody> </table>		mm	INCH	4 PLACES	± ---	± ---	3 PLACES	± ---	± ---	2 PLACES	± 0.25	± ---	1 PLACE	± ---	± ---	MM ONLY	NTS	METRIC	
		mm	INCH																		
	4 PLACES	± ---	± ---																		
3 PLACES	± ---	± ---																			
2 PLACES	± 0.25	± ---																			
1 PLACE	± ---	± ---																			
DESCRIPTION	<table border="1"> <thead> <tr> <th>DRAWN BY</th> <th>DATE</th> <th>TITLE</th> </tr> </thead> <tbody> <tr> <td>SKANG</td> <td>2009/06/15</td> <td rowspan="4"> <b>CUSTOM HEADER 3.96MM BREAKAWAY SINGLE ROW / DUAL BODY</b> </td> </tr> <tr> <td>ATSEE</td> <td>2009/06/26</td> </tr> <tr> <td>MLONG</td> <td>2010/01/08</td> </tr> <tr> <td>MOLEX</td> <td></td> </tr> </tbody> </table>	DRAWN BY	DATE	TITLE	SKANG	2009/06/15	<b>CUSTOM HEADER 3.96MM BREAKAWAY SINGLE ROW / DUAL BODY</b>	ATSEE	2009/06/26	MLONG	2010/01/08	MOLEX		<table border="1"> <thead> <tr> <th>MATERIAL NO.</th> <th>DOCUMENT NO.</th> </tr> </thead> <tbody> <tr> <td>SEE TABLE</td> <td>SD-87447-001</td> </tr> </tbody> </table>	MATERIAL NO.	DOCUMENT NO.	SEE TABLE	SD-87447-001			
DRAWN BY	DATE	TITLE																			
SKANG	2009/06/15	<b>CUSTOM HEADER 3.96MM BREAKAWAY SINGLE ROW / DUAL BODY</b>																			
ATSEE	2009/06/26																				
MLONG	2010/01/08																				
MOLEX																					
MATERIAL NO.	DOCUMENT NO.																				
SEE TABLE	SD-87447-001																				
REV	DRAFT WHERE APPLICABLE MUST REMAIN WITHIN DIMENSIONS	SIZE A3 THIS DRAWING CONTAINS INFORMATION THAT IS PROPRIETARY TO MOLEX INCORPORATED AND SHOULD NOT BE USED WITHOUT WRITTEN PERMISSION																			

10 | 9 | 8 | 7 | 6 | 5 | 4 | 3 | 2 | 1

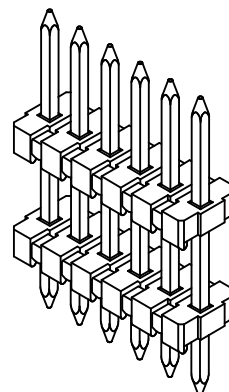
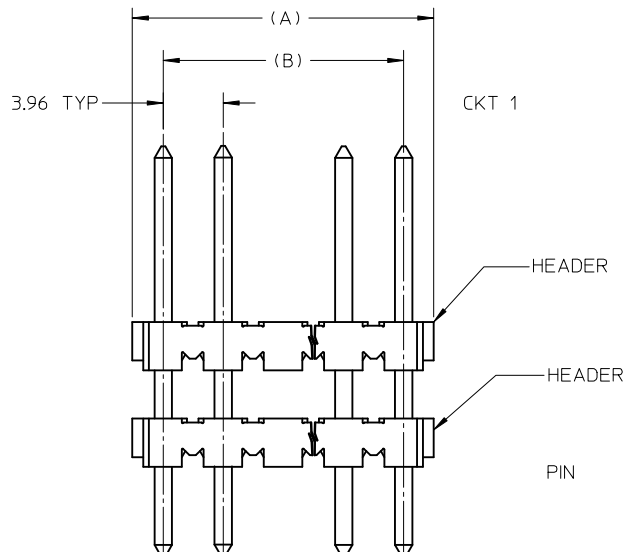
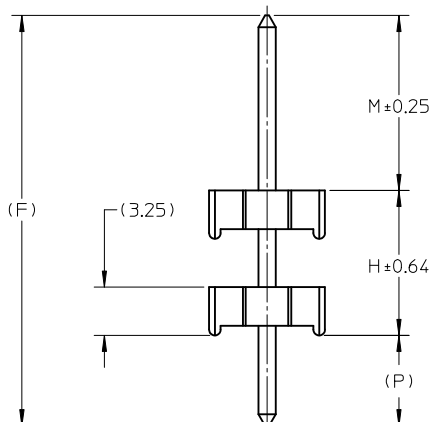
MATERIAL NUMBER	PLATING REFERENCE	DIM F PIN LENGTH	DIM M LENGTH	DIM H HEADER SPACING	DIM P P.C. LENGTH	CKT SIZE	VOIDED CKT NO.	PACK PER
87447-0001	4	43.18	22.23	15.87	5.08	4	3	ES-41679-A1

<b>REVISED</b> EC NO: S2010-0518 DRWN:SKANG 2009/12/21 CHKD:ATSEE 2010/01/08 APPR:MLONG 2010/01/09	QUALITY SYMBOLS	GENERAL TOLERANCES (UNLESS SPECIFIED)	DIMENSION STYLE	SCALE	DESIGN UNITS	THIRD ANGLE PROJECTION	
	= 0 = 0	mm	INCH	MM ONLY	NTS	METRIC	
		4 PLACES	± ---	± ---	DRAWN BY	DATE	TITLE
	DESCRIPTION	3 PLACES	± ---	± ---	SKANG	2009/06/15	CUSTOM HEADER 3.96MM BREAKAWAY SINGLE ROW / DUAL BODY
2 PLACES		± 0.25	± ---	CHECKED BY	DATE	MOLEX INCORPORATED	
1 PLACE		± ---	± ---	ATSEE	2009/06/26		
		ANGULAR ± 1/2°		APPROVED BY	DATE		
		DRAFT WHERE APPLICABLE MUST REMAIN WITHIN DIMENSIONS		MLONG	2010/01/08		
				MATERIAL NO.	DOCUMENT NO.	SHEET NO.	
A1				SEE TABLE	SD-87447-001	2 OF 2	
				SIZE	THIS DRAWING CONTAINS INFORMATION THAT IS PROPRIETARY TO MOLEX INCORPORATED AND SHOULD NOT BE USED WITHOUT WRITTEN PERMISSION		
				A3			

9 | 8 | 7 | 6 | 5 | 4 | 3 | 2 | 1



PCB LAYOUT : COMPONENT SIDE  
RECOMMENDED PCB THICKNESS : 1.57



6 CKT ISO SHOWN FOR REF. ONLY

CKT SIZE	A	B
4	15.26	11.89
5	19.22	15.85
6	23.18	19.81
7	27.14	23.77
8	31.11	27.74
9	35.07	31.70
10	39.03	35.66
11	42.99	39.62
12	46.96	43.59
13	50.92	47.55
14	54.88	51.51
15	58.84	55.47
16	62.81	59.44
17	66.77	63.40
18	70.73	67.36
19	74.69	71.32
20	78.66	75.29
21	82.62	79.25
22	86.58	83.21
23	90.54	87.17
24	94.49	91.14

NOTES :

- MATERIAL :  
HOUSING : POLYESTER, UL94V-0, COLOR : BLACK  
PIN : 1.14MM SQ PIN BRASS.
- FINISH :  
(1) : 5.08µm MIN TIN OVER 2.54µm MIN COPPER OVERALL.  
(2) : 0.38µm MIN GOLD OVER 1.25µm MIN NICKEL OVERALL.  
(3) : 2.50µm MIN TIN OVER 1.25µm MIN NICKEL OVERALL.  
(4) : 0.38µm MIN GOLD ON CONTACT AND 2.50µm MIN TIN ON SOLDER TAIL OVER 1.25µm MIN NICKEL OVERALL.
- PRODUCT SPECIFICATION : PS-68340-014.
- PARTS ARE NOT STACKABLE ON 3.96MM CENTERS.
- PARTS TO BE PACKED PER ES-41679-A1.

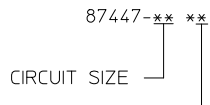
OPTIONAL VOIDED CIRCUIT  
SEE CHART FOR LOCATION

INITIAL RELEASE EC NO: S2010-0876 DRWN:SKANG 2010/04/23 CHKD:ATSEE 2010/04/28 APPR:MLONG 2010/05/06	DESCRIPTION A	QUALITY SYMBOLS	GENERAL TOLERANCES (UNLESS SPECIFIED)	DIMENSION STYLE	SCALE	DESIGN UNITS	THIRD ANGLE PROJECTION	
		$\nabla_A = 0$ $\nabla_C = 0$ $\nabla_P = 0$	mm    INCH 4 PLACES ± --- ± --- 3 PLACES ± --- ± --- 2 PLACES ± 0.25 ± --- 1 PLACE ± --- ± --- ANGULAR ± 1/2°	MM ONLY	NTS	METRIC		
			DRAWN BY: SKANG    DATE: 2010/04/23	TITLE: CUSTOM HEADER 3.96MM BREAKAWAY SINGLE ROW / DUAL BODY				
			CHECKED BY: ATSEE    DATE: 2010/04/28	MATERIAL NO. SEE TABLE    DOCUMENT NO. SD-87447-002				
				APPROVED BY: MLONG    DATE: 2010/05/05	MOLEX INCORPORATED			SHEET NO. 1 OF 2
			DRAFT WHERE APPLICABLE MUST REMAIN WITHIN DIMENSIONS	THIS DRAWING CONTAINS INFORMATION THAT IS PROPRIETARY TO MOLEX INCORPORATED AND SHOULD NOT BE USED WITHOUT WRITTEN PERMISSION				

10 9 8 7 6 5 4 3 2 1

MATERIAL NUMBER	CKT SIZE	DIM F PIN LENGTH	DIM M LENGTH	DIM H HEADER SPACING	DIM P P.C. LENGTH	VOIDED CKT NO.
87447-0903	9	60.33	25.40	31.75	3.18	-
87447-1002	10	46.03	20.37	22.23	3.43	-
87447-1012	10	66.68	21.97	41.28	3.43	-
87447-1503	15	60.33	25.40	31.75	3.18	-

PART NO. LEGEND



PLATING OPTION

- 1 : 5.08μm MIN TIN OVER 2.54μm MIN COPPER OVERALL.
- 2 : 0.38μm MIN GOLD OVER 1.25μm MIN NICKEL OVERALL.
- 3 : 2.50μm MIN TIN OVER 1.25μm MIN NICKEL OVERALL.
- 4 : 0.38μm MIN GOLD ON CONTACT AND 2.50μm MIN TIN ON SOLDERTAIL OVER 1.25μm MIN NICKEL OVERALL.

INITIAL RELEASE EC NO: S2010-0876 DRWN:SKANG 2010/04/23 CH'KD:ATSEE 2010/04/28 APPR:MLONG 2010/05/06	DESCRIPTION REV	QUALITY SYMBOLS	GENERAL TOLERANCES (UNLESS SPECIFIED)		DIMENSION STYLE MM ONLY		SCALE NTS	DESIGN UNITS METRIC	THIRD ANGLE PROJECTION		
		▽ <sub>A</sub> =0	mm	INCH	DRAWN BY	DATE	TITLE				
		▽ <sub>C</sub> =0	4 PLACES ± ---	± ---	SKANG	2010/04/23	CUSTOM HEADER 3.96MM BREAKAWAY SINGLE ROW / DUAL BODY				
		▽ <sub>P</sub> =0	3 PLACES ± ---	± ---	CHECKED BY	DATE					
	2 PLACES ± 0.25	± ---	ATSEE	2010/04/28	MOLEX INCORPORATED						
	1 PLACE ± ---	± ---	APPROVED BY	DATE							
	ANGULAR ± 1/2°		MLONG	2010/05/05	MATERIAL NO.		DOCUMENT NO.			SHEET NO.	
DRAFT WHERE APPLICABLE MUST REMAIN WITHIN DIMENSIONS			SEE TABLE		SD-87447-002			2 OF 2			
			SIZE A3		THIS DRAWING CONTAINS INFORMATION THAT IS PROPRIETARY TO MOLEX INCORPORATED AND SHOULD NOT BE USED WITHOUT WRITTEN PERMISSION						

9 8 7 6 5 4 3 2 1