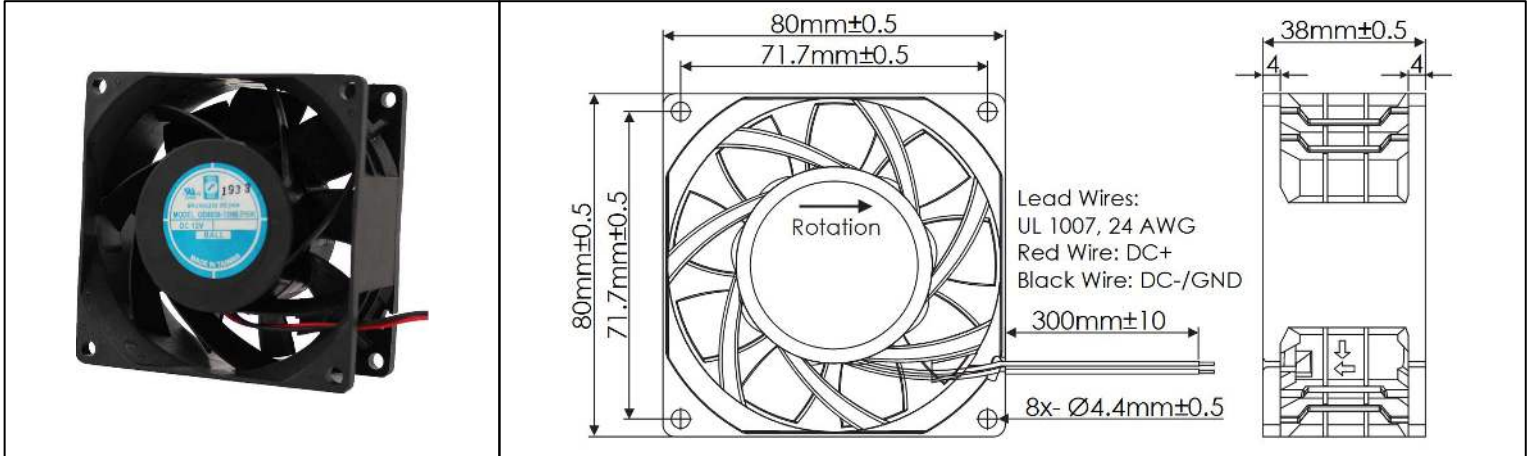


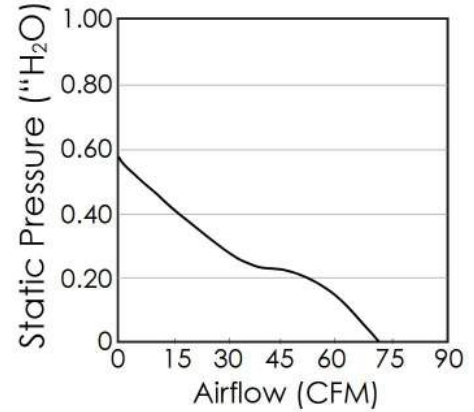
# OD8038 IP69K Series



DC Fans - 12, 24V  
80mm x 38mm (3.15" x 1.5")



Frame	PBT, UL94 V-0 Plastic	<u>Operating Temperature</u> -20°C ~ +65°C  <u>Storage Temperature</u> -20°C ~ +75°C  <u>Life Expectancy</u> 70,000 Hours (L10 at 40°C)  <u>Available Options</u> Tachometer Output Alarm Output PWM Speed Control Input Other IP Ratings  Weight: 0.46 lbs
Impeller	PBT, UL94 V-0 Plastic	
Connection	2x Lead Wires, 24 AWG	
Motor	Brushless DC, Auto Cutoff, Auto Restart, Polarity Protected, Electronically Protected, IP69K	
Bearing System	Ball Bearings	
Dielectric Strength	500VDC/min, <1mA	
Insulation Resistance	≥10M @ 500 VDC	



Part Number	Rated Voltage (Volts DC)	Voltage Range (Volts DC)	Input Power (Watts)	Rated Current (Amps)	Rated Speed (RPM)	Max Airflow (CFM)	Noise Level (dBA)	Max Static Pressure (\"H <sub>2</sub> O)
OD8038-12HBIP69K	12	8 ~ 13.8	7.20	0.60	5000	71	49.1	0.58
OD8038-24HBIP69K	24	15 ~ 26	7.20	0.30	5000	71	49.1	0.58