

# Mini-Com® Classic Series Faceplates

# PANDUIT®

SPECIFICATION SHEET

## specifications

Classic series faceplates shall be available in 1, 2, 3, 4, and 6-port single gang for vertical applications and 2 and 4-port single gang for horizontal applications. Classic series faceplates shall accept all Mini-Com® Modules for UTP, STP, fiber-optic, and audio/video applications. Faceplates shall be available in a flush or sloped design, and available with or without labels. Sloped design shall increase wall depth to improve the bend radius control.



## technical information

**Mounting options:** Screw holes with retention tabs, spaced for single gang openings; compatible with Panduit wall board adapter

**Packaging:** Supplied with two 1" long, #6 – 32 slotted head screws; select styles include labels and label covers; faceplates without labels include matching mounting screws to match the faceplate; faceplates packaged one per bag, ten per box

## key features and benefits

**Modular** Accepts all Mini-Com® Modules which snap in and out for easy moves, adds, and changes

**Identification** Choice of adhesive labeling or dedicated label pocket for easy identification

**Various port densities** Provides design flexibility

**Sloped design** Allows proper bend radius control

**Icon slots** Provide data and voice identification on select faceplates

## applications

Mini-Com® Classic Series Faceplates mount to any standard size single gang junction box and can also mount to a wallboard adapter or raceway mounting brackets. When using classic series faceplates with Panduit surface raceway, color matching is guaranteed. Classic series faceplates with label and label cover offer a quick and easy way to identify

the ports. Mounting screw colors match the faceplate for a clean, consistent look. Dedicated sloped faceplates provide additional room for bend radius control to help comply with standards. Select sloped faceplates include icon slots to help identify the connection.

[www.panduit.com](http://www.panduit.com)

### Vertical Sloped Faceplates

**2-port (with labels):** CFP2L2IW\*Y

**4-port (with labels):** CFP2L4IW\*Y

**6-port (with labels):** CFP2L6IW\*Y

### Label Options for Vertical Sloped Faceplates

**Laser/link jet:** C195X040Y1J

**Panther™ LS8E:** C195X040Y1C

### Vertical Faceplates with Labels

**1-port (with labels):** CFPL1IW\*Y

**2-port (with labels):** CFPL2IW\*Y

**3-port (with labels):** CFPL3IW\*Y

**4-port (with labels):** CFPL4IW\*Y

**6-port (with labels):** CFPL6IW\*Y

### Label Options for Vertical Faceplates with Labels

**Laser/link jet:** C195X040Y1J

**Panther™ LS8E:** C195X040Y1C

### Vertical Faceplates Without Labels

**1-port:** CFP1IW\*

**2-port:** CFP2IW\*

**4-port:** CFP4IW\*

### Horizontal Faceplates

**2-port:** CFP2H2IW\*

**4-port:** CFP2H4IW\*

### Label Options for Vertical Faceplates Without Labels and Horizontal Faceplates

**Laser/link jet**

**1-port:** C061X030FJJ

**2-port,**

**4-port vertical:** C125X030FJJ

**4-port horizontal:** C252X030FJJ

**Panther™ LS8E:**

**1-port:** C061X030FJC

**2-port,**

**4-port vertical:** C125X030FJC

**4-port horizontal:** C252X030FJC

### Horizontal Sloped Faceplates

**2-port:** CFP2H2IW\*

**4-port**

**(with labels):** CFP2H4IW\*

### Label Options for Horizontal Sloped Faceplates

**Laser/link jet**

**2-port:** C125X030FJJ

**4-port:** C261X035Y1J

**Panther™ LS8E:** C261X035Y1C

(4-port only)

### Wall Board Adapters

**Single gang:** MWBA1

### Icons

**Voice:** CIPIW‡-C

**Data:** CIDIW‡-C

### Accessories

**Replacement label**

**and screw cover:** EFPK-XY

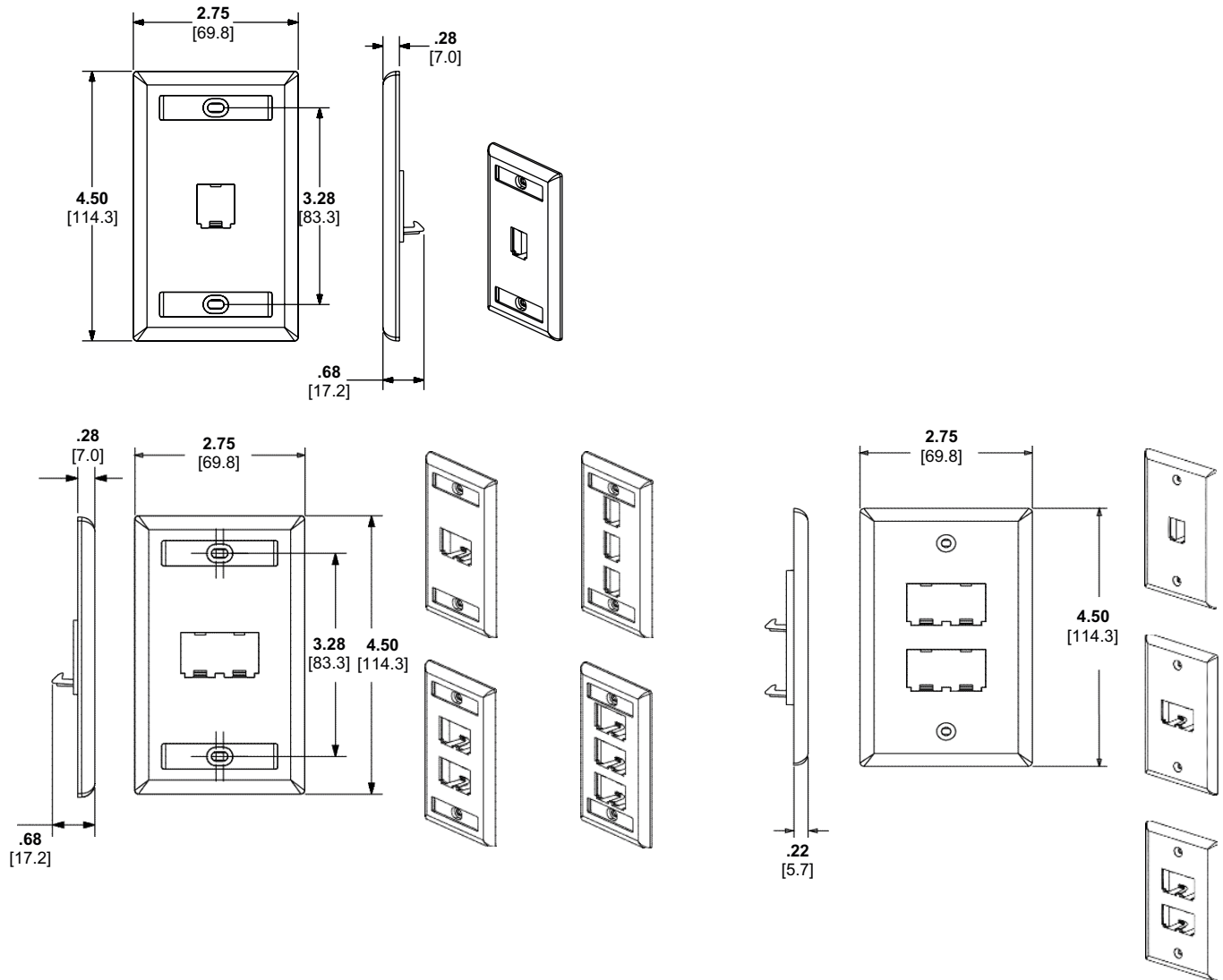
**Screw cover:** CSCIW-X\*

\*For other colors, replace suffix IW (Off White) with EI (Electric Ivory), WH (White), or IG (International Gray).

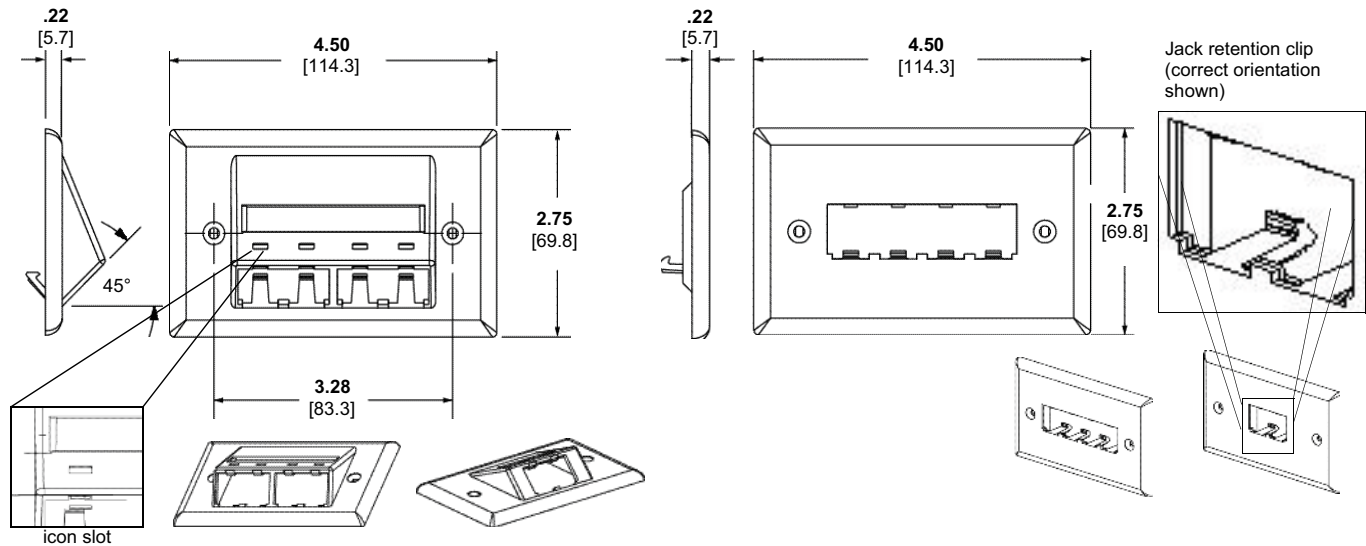
‡For other colors, replace suffix IW (Off White) with EI (Electric Ivory), WH (White), IG (International Gray), BL (Black), OR (Orange), RD (Red), BU (Blue), GR (Green), YL (Yellow), or VL (Violet).

# Mini-Com® Classic Series Faceplates

## vertical faceplates

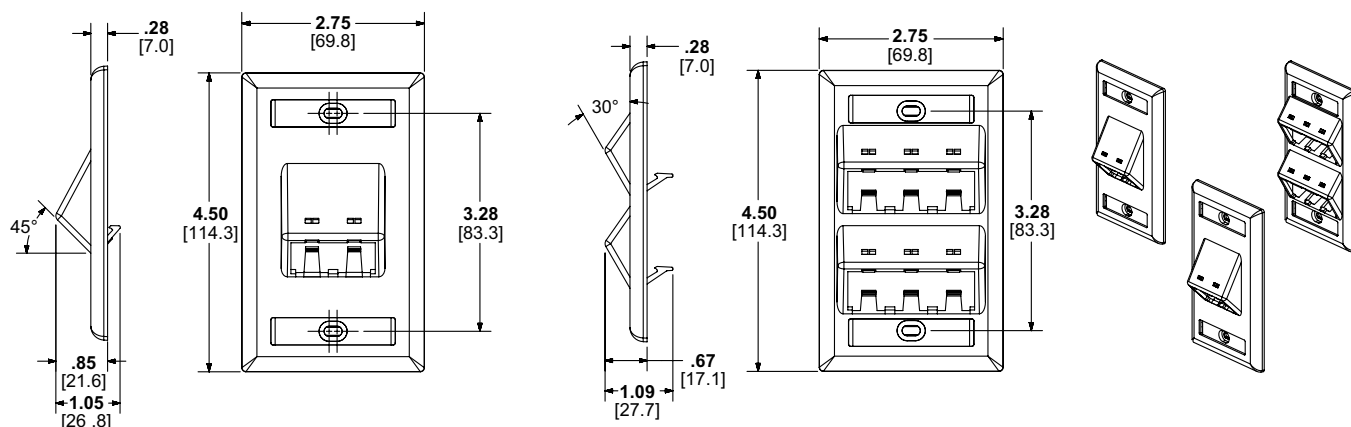


## horizontal faceplates

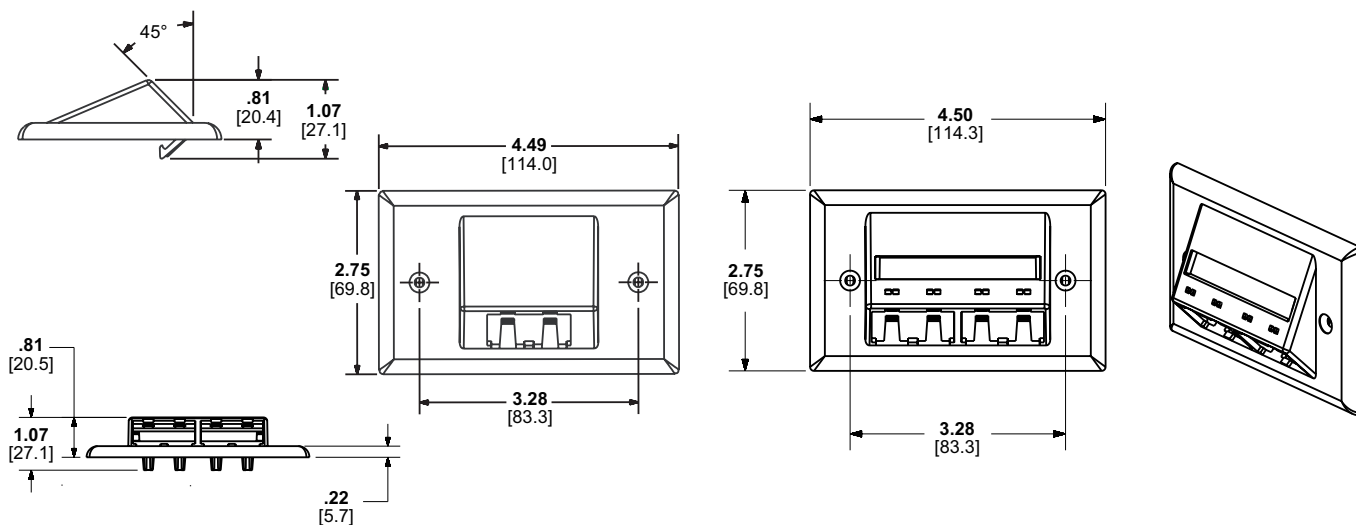


# Mini-Com® Classic Series Faceplates

## vertical sloped faceplates



## horizontal sloped faceplates



Dimensions are in inches. [Dimensions in brackets are metric].

### WORLDWIDE SUBSIDIARIES AND SALES OFFICES

PANDUIT CANADA  
Markham, Ontario  
cs-cdn@panduit.com  
Phone: 800.777.3300

PANDUIT EUROPE LTD.  
London, UK  
cs-emea@panduit.com  
Phone: 44.20.8601.7200

PANDUIT SINGAPORE PTE. LTD.  
Republic of Singapore  
cs-ap@panduit.com  
Phone: 65.6305.7575

PANDUIT JAPAN  
Tokyo, Japan  
cs-japan@panduit.com  
Phone: 81.3.6863.6000

PANDUIT LATIN AMERICA  
Guadalajara, Mexico  
cs-la@panduit.com  
Phone: 52.33.3777.6000

PANDUIT AUSTRALIA PTY. LTD.  
Victoria, Australia  
cs-aus@panduit.com  
Phone: 61.3.9794.9020

For a copy of Panduit product warranties, log on to [www.panduit.com/warranty](http://www.panduit.com/warranty)

For more information

Visit us at [www.panduit.com](http://www.panduit.com)

Contact Customer Service by email: [cs@panduit.com](mailto:cs@panduit.com)  
or by phone: 800.777.3300 and reference OTSP20

**PANDUIT**®

© 2017 Panduit Corp.  
ALL RIGHTS RESERVED.  
OTSP20--WW-ENG  
1/27/2017