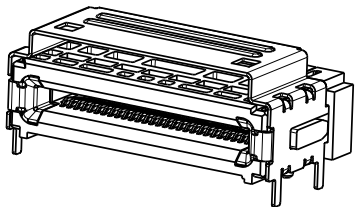
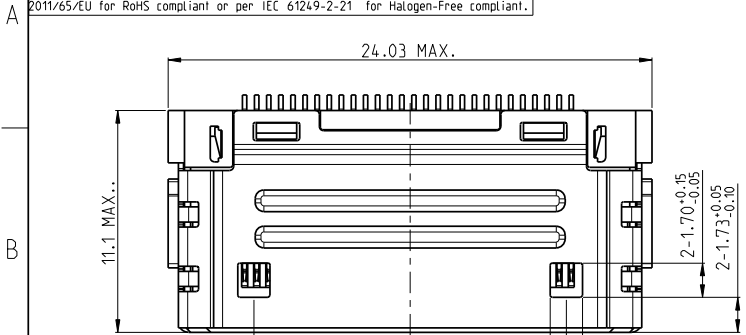


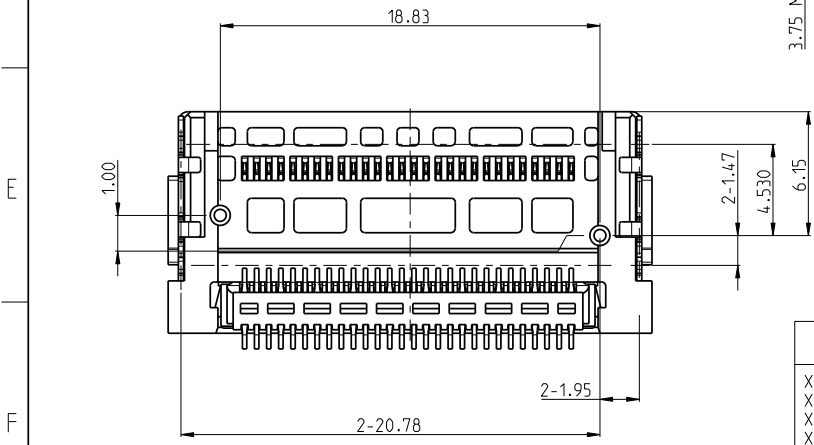
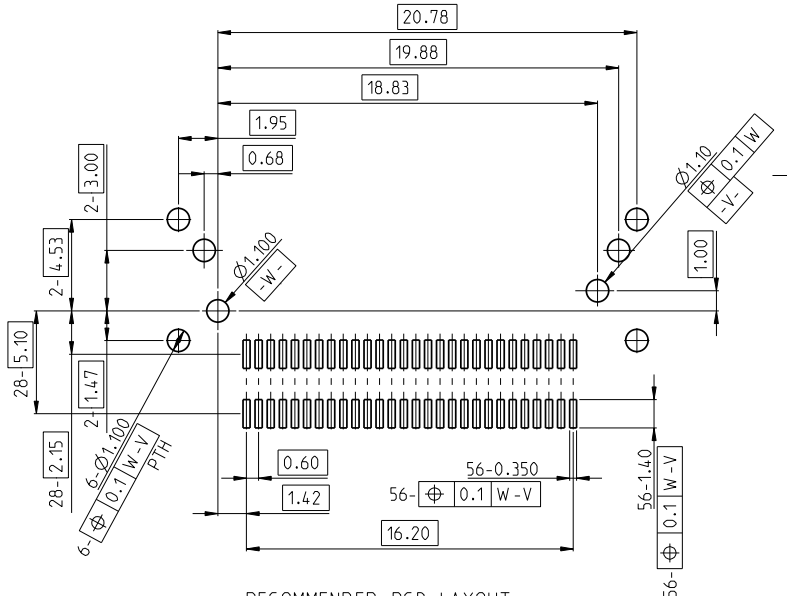
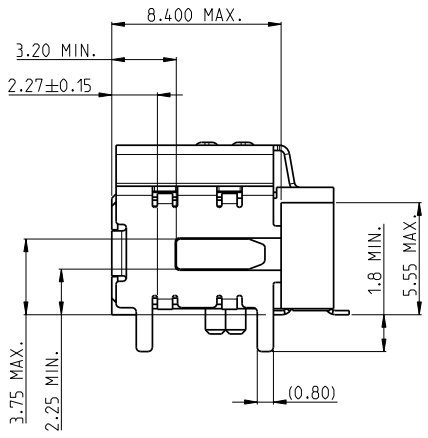
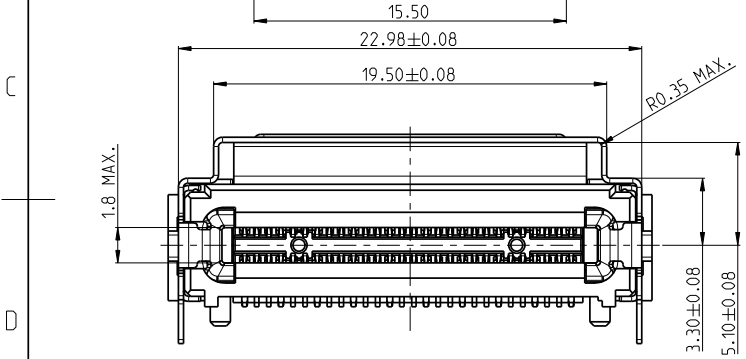
This document is the property of Amphenol Corporation and is delivered on the express condition that is not to be disclosed, reproduced or used, in whole or in part, for manufacture or sale by anyone other than Amphenol Corporation without its prior consent, and that no right is granted to disclose or to use any information in this document.

The marking on this product doesn't contain environmental hazardous materials per Material Specification SS-00259 for Sony GP compliant or per directive 2011/65/EU for RoHS compliant or per IEC 61249-2-21 for Halogen-Free compliant.

REVISIONS				
SYM	ECN No.	DESCRIPTION	DATE	BY
AX1	NA	INITIAL REVISION	09/23/2018	JOAN LU
AX2	NA	ADDED OPTION FOR CONTACT FINISH AND LENGTH OF SHELL PIN	11/28/2018	JOAN LU



G64 R X 1 X X X X HR
 MINI COOL EDGE 10 Z SERIES
 RIGHT ANGLE TYPE
 CONNECTOR SPEED 3 : 56 G
 CHANNEL/PIN QTY 1: 1C
 CONTACT FINISH 2: 15u" GOLD 3: 30u" GOLD
 COMPLIANT CODE HR: HALOGEN-FREE & RoHS
 VARIATION CODE BLANK: STANDARD
 PACKING CODE 2: TAPE AND REEL
 SHELL PIN LENGTH OPTION(DIM.A)
 1: 1.85mm
 2: 2.50mm
 3: 3.30mm
 4: 4.50mm
 5: 1.20mm



RECOMMENDED PCB LAYOUT
(GENERAL TOLERANCES :+/-0.05)

FOR REFERENCE ONLY

TOLERANCE	DRAWN	APPROVALS	DATE	TITLE				
X. X.X ±0.30 X.XX ±0.20 X.XXX ±0.10	DESIGNED	Joan Lu	11/28/2018	MINI COOL EDGE 10 Z SERIES 1C, 0.6 PITCH, RIGHT ANGLE STANDARD, SMT TYPE	Amphenol Corporation Amphenol Taiwan Corporation			
ANGULAR ±2°	CHECKED	Sondra Sang	11/28/2018		UNIT	SIZE	PART No.	
UNLESS OTHERWISE SPECIFIED	APPROVED	Hank Hsu	11/28/2018		mm	A3	G64RX1XXXXHR	
	DWG TYPE	CUST DWG	PROJECT CODE		SCALE	SHEET	DWG No.	REV.
			TXXX		NA	1 OF 1	G64RX1XXXXHR	AX2