

1

2

3

4

5

6

7

A

A

B

B

C

C

D

D

E

E

F

F

G

G

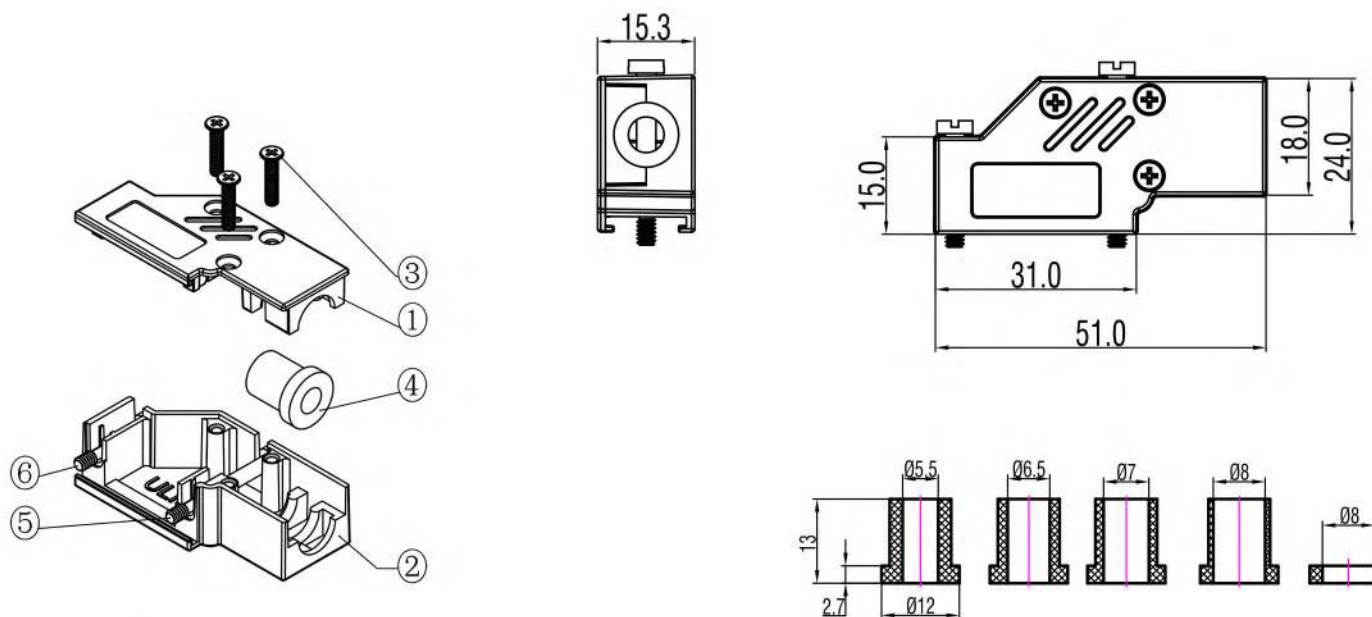
H

H

TECHNICAL SPECIFICATIONS

Material: Zinc
 Plating: Nickel
 Operating Temperature: -25°C to +90°C
 Jackscrews: UNC 4-40

No. of contacts: 09-15-25-37



Item	QTY	Part description
1	1	Upper Cover
2	1	Lower Cover
3	3	M2.5x11.5 Screw
4	1	Compression Insert
5	1	UNC 4-40x28.5 Jackscrew
6	1	UNC 4-40x19.5 Jackscrew

RoHS compliant
 Unit: mm

Scale	Free				Date	Name	Customer-No.	
TOLERANCE					Drawn	17.08.2017	S.Bölling	
0~6	±0.10				Approved	17.08.2017	S.Bölling	
6~30	±0.20							
30~120	±0.30							
120~400	±0.50							
DIM	Tol							
Angle	±1°	Ⓞ	Drawn	17.08.2017				S.Bölling
Angle	Tol	ld.	Modification	Date				Name
							Drawing-No.	
							ASS_5244_CO	rev00
							Replace	Sheet 1/4

1

2

3

4

5

6

7

SV4382

1

2

3

4

5

6

7

A

A

B

B

C

C

D

D

E

E

F

F

G

G

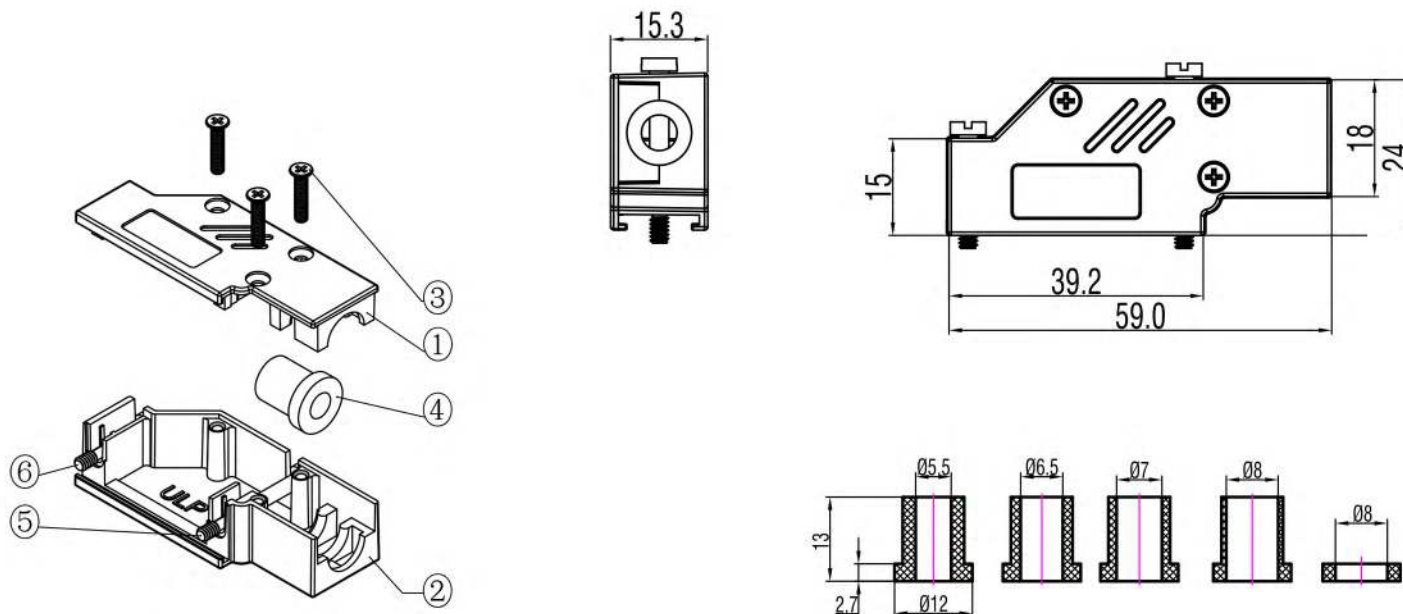
H

H

TECHNICAL SPECIFICATIONS

Material: Zinc
Plating: Nickel
Operating Temperature: -25°C to +90°C
Jackscrews: UNC 4-40

No. of contacts: 09-15-25-37



Item	QTY	Part description
1	1	Upper Cover
2	1	Lower Cover
3	3	M2.5x11.5 Screw
4	1	Compression Insert
5	1	UNC 4-40x28.5 Jackscrew
6	1	UNC 4-40x19.5 Jackscrew

RoHS compliant
Unit: mm

Scale	Free				Date	Name	Customer-No.	
TOLERANCE					Drawn	17.08.2017	S.Bölling	
0~6	±0.10				Approved	17.08.2017	S.Bölling	
6~30	±0.20							
30~120	±0.30							
120~400	±0.50							
DIM	Tol							
Angle	±1°	Ⓢ	Drawn	17.08.2017				S.Bölling
Angle	Tol	ld.	Modification	Date				Name

Customer-No.
ASSMANN WSW-No.
ACOV-SUB-15MB3

Drawing-No.
ASS_5244_CO rev00
Replace
Sheet 2/4

1

2

3

4

5

6

7

A

B

C

D

E

F

G

H

A

B

C

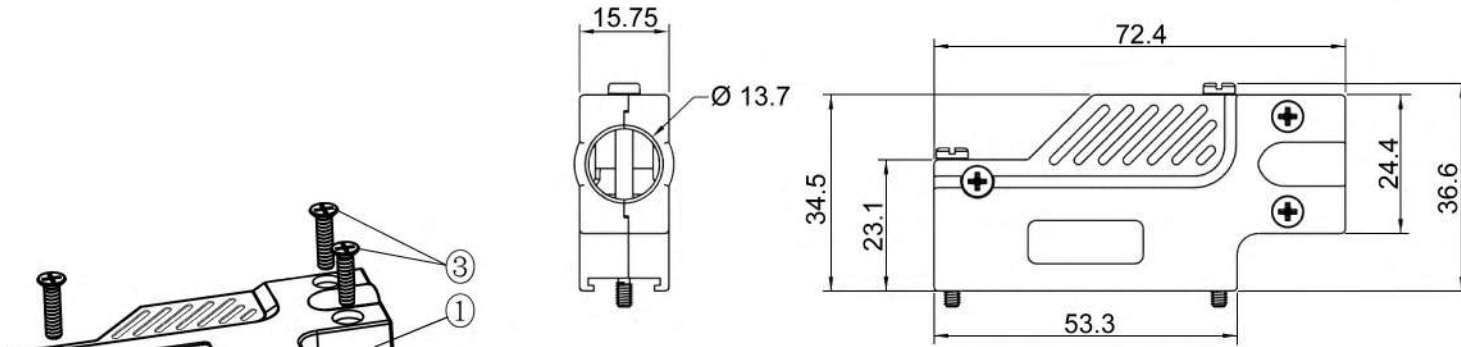
D

E

F

G

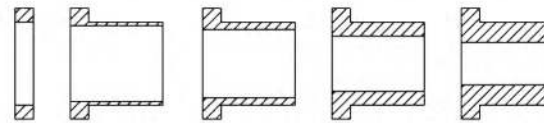
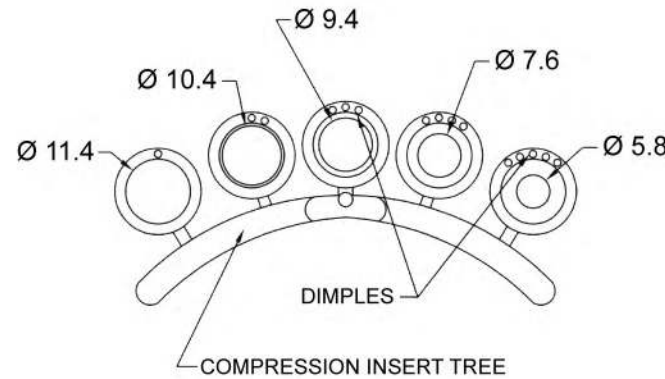
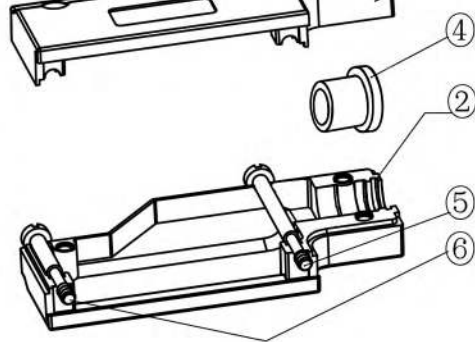
H



TECHNICAL SPECIFICATIONS

Material: Zinc
 Plating: Nickel
 Operating Temperature: -25°C to +90°C
 Jackscrews: UNC 4-40

No. of contacts: 09-15-25-37



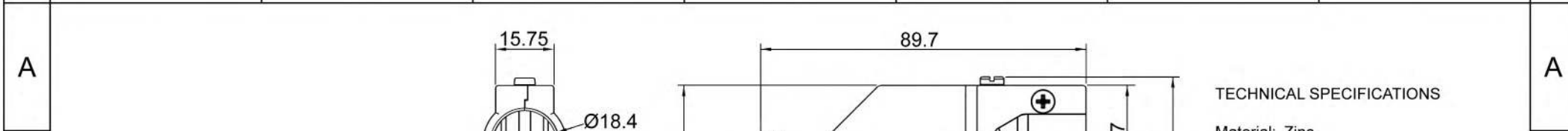
Item	QTY	Part description
1	1	Upper Cover
2	1	Lower Cover
3	3	UNC 4-40x12.5 Screw
4	1	Compression Insert
5	1	UNC 4-40x39.5 Jackscrew
6	1	UNC 4-40x28.5 Jackscrew

RoHS compliant
 Unit: mm

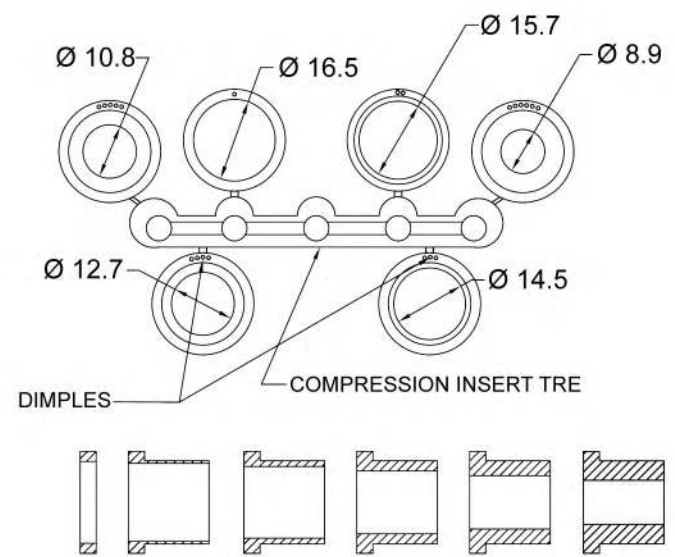
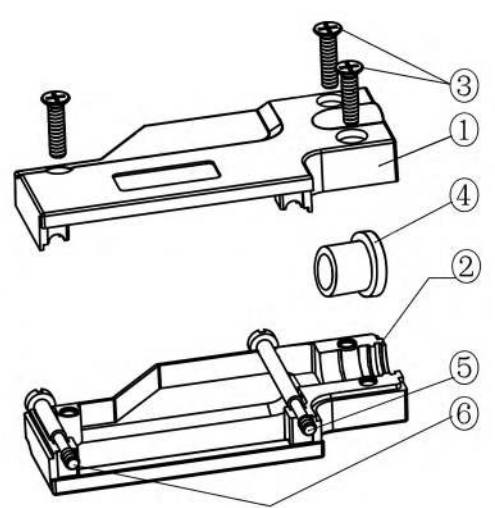
Scale	Free				Date	Name	Customer-No.	
TOLERANCE					Drawn	17.08.2017	S.Bölling	
0~6	±0.10				Approved	17.08.2017	S.Bölling	
6~30	±0.20							
30~120	±0.30							
120~400	±0.50							
DIM	Tol							
Angle	±1°	Ⓢ	Drawn	17.08.2017				S.Bölling
Angle	Tol	Id.	Modification	Date				Name

Customer-No.
 ASSMANN WSW-No.
ACOV-SUB-25MB3

Drawing-No.
ASS_5244_CO rev00
 Sheet 3/4
 Replace



TECHNICAL SPECIFICATIONS
 Material: Zinc
 Plating: Nickel
 Operating Temperature: -25°C to +90°C
 Jackscrews: UNC 4-40
 No. of contacts: 09-15-25-37



Item	QTY	Part description
1	1	Upper Cover
2	1	Lower Cover
3	3	UNC 4-40x12.5 Screw
4	1	Compression Insert
5	1	UNC 4-40x45.8 Jackscrew
6	1	UNC 4-40x28.5 Jackscrew

RoHS compliant
 Unit: mm

Scale	Free				Date	Name	Customer-No.	
TOLERANCE					Drawn	17.08.2017	S.Bölling	
0~6	±0.10				Approved	17.08.2017	S.Bölling	
6~30	±0.20							
30~120	±0.30							
120~400	±0.50							
DIM	Tol							
Angle	±1°	Ⓢ	Drawn	17.08.2017				S.Bölling
Angle	Tol	ld.	Modification	Date				Name

ASSMANN WSW-No. ACOV-SUB-37MB3	
Drawing-No. ASS_5244_CO	rev00
Replace	Sheet 4/4