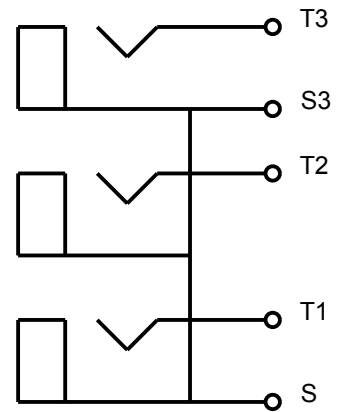


- NOTES:**
- ALL DIMENSIONS ARE REFERENCE.
  - MATERIALS:
    - B** HOUSING: ABS OR PBT, UL-94HB, BLACK
    - B** COLOR INSERT: POM OR PBT, UL-94HB
    - B** INSULATOR: POM OR PBT, UL-94HB
  - THIS PART IS RoHS COMPLIANT
- SHELL & SLEEVE TERMINALS: COPPER ALLOY, NICKEL OR GOLD PLATED
- TIP TERMINALS: COPPER ALLOY, TIN PLATED
- FRONT PLATE: COPPER ALLOY, NICKEL PLATED

PART NUMBER	INSERT (A) COLOR	INSERT (B) COLOR	INSERT (C) COLOR	SHELL AND SLEEVE TERMINAL FINISH
PJRAS1X3S01X	RED	WHITE	YELLOW	NICKEL PLATED
PJRAS1X3S01AUX	RED	WHITE	YELLOW	GOLD PLATED
PJRAS1X3S02X	GREEN	BLUE	RED	NICKEL PLATED
PJRAS1X3S02AUX	GREEN	BLUE	RED	GOLD PLATED



**CUSTOMER DRAWING**

REV	ECO NUMBER	DATE	BY	APVD
B	27929	08-17-17	PC	TJK
A	25181	1-13-06	JL	TJK

**REVISIONS**

★ STAR SYMBOL DENOTES CRITICAL DIMENSION

UNLESS OTHERWISE SPECIFIED

- ALL DIMENSIONS IN INCHES  
 -TWO PLACE DECIMALS ±0.01  
 -THREE PLACE DECIMALS ±0.005  
 -ANGLES ±1°  
 -ALL DIA. CONCENTRIC WITHIN 0.005 T.I.R.
- FEATURES ON THE SAME CENTERLINE MUST BE ALIGNED WITHIN ±0.002
- REMOVE ALL BURRS

**DO NOT SCALE DRAWING**

THIS DRAWING DESCRIBES A DESIGN CONSIDERED PROPRIETARY IN NATURE, DEVELOPED AND MANUFACTURED BY SWITCHCRAFT INC. AND IS RELEASED ON A CONFIDENTIAL BASIS FOR IDENTIFICATION PURPOSES ONLY.

SIZE	WIDTH	MULT	LBS/M	TEMPER
FINISH		MATERIAL		
SPEC No.		SPEC No.		
FIRST USED ON		SCALE		
		2:1		
DATE DRAWN	BY	CHKD	APVD	
13-Jan-06	JL	TJK	TJK	
		1-13-06	1-13-06	
NAME		PART No.		
PHONO JACK, RIGHT ANGLE, 3 POS. SCREW MOUNT, SHIELDED, RoHS		PJRAS1X3S__X SERIES		
				REV
				B

**Switchcraft**<sup>®</sup>

SHEET 1 OF 1

