



## SPECIFICATION FOR APPROVAL

Customer : STD

Description : DC FAN

Customer Part No. : \_\_\_\_\_ REV. : \_\_\_\_\_

Delta Model No. : PFB0612EE-E REV. : 02

Sample Issue No. : \_\_\_\_\_

Sample Issue Date : JUL.13 2020

PLEASE SEND ONE COPY OF THIS SPECIFICAITON BACK AFTER  
YOU SIGNED APPROVAL FOR PRODUCTION PRE-ARRANGMENT.

APPROVED BY:

DATE :

DELTA ELECTRONICS, INC.  
TAOYUAN PLANT  
252, SHANGYING ROAD, GUSHAN INDUSTRIAL ZONE,  
TAOYUAN CITY 33341, TAIWAN  
TEL:886-(0)3-3591968  
FAX:886-(0)3-3591991

DELTA ELECTRONICS, INC.  
252, SHANGYING ROAD, GUISHAN INDUSTRIAL ZONE,  
TAOYUAN CITY 33341, TAIWAN

TEL : 886-(0)3-3591968  
FAX : 886-(0)3-3591991

## STATEMENT OF DEVIATION

NONE

DESCRIPTION:

DELTA ELECTRONICS, INC.  
 252, SHANGYING ROAD, GUIZHAN INDUSTRIAL ZONE,  
 TAOYUAN CITY 33341, TAIWAN

TEL : 886-(0)3-3591968  
 FAX : 886-(0)3-3591991

## Specification For Approval

Customer : STD

Description : DC FAN

Customer P/N : _____	rev. : _____
Delta model no. : PFB0612EE-E	Delta Safety Model No.: PFB0612EE-E
Sample revision. : 02	Issue no.: _____
Sample issue date : JUL.13 2020	Quantity : _____

**1. SCOPE:**

THIS SPECIFICATION DEFINES THE ELECTRICAL AND MECHANICAL CHARACTERISTICS OF THE DC BRUSHLESS AXIAL FLOW FAN.

**2. CHARACTERS:**

ITEM	DESCRIPTION
RATED VOLTAGE	12 VDC
OPERATION VOLTAGE	10.8 - 13.2 VDC
INPUT CURRENT (AVG.) ★ (TEST UNDER FREE AIR)	3.50 ( MAX. 4.20) A SAFETY CURRENT ON LABEL : 5.50
INPUT POWER (AVG.)★ (TEST UNDER FREE AIR)	42.0 ( MAX.50.4) W
SPEED	25500 ±10% R.P.M.
START UP TIME (BRAKE TIME+SOFTSTART TIME)	≤ 15 SECOND (FROM STOP WITH BRAKE TIME TO FULL SPEED)
MAX. AIR FLOW (AT ZERO STATIC PRESSURE)	2.165 (MIN. 1.948) M <sup>3</sup> /MIN.
	77.31 (MIN. 69.58) CFM
MAX. AIR PRESSURE (AT ZERO AIRFLOW)	185.67 (MIN. 150.40) mmH2O
	7.31 (MIN. 5.921) inchH2O
ACOUSTICAL NOISE (AVG.)	68.6 (MAX. 72.6) dB-A
INSULATION TYPE	UL: CLASS A
INSULATION STRENGTH	10 MEG OHM MIN. AT 500 VDC (BETWEEN FRAME AND (+) TERMINAL)
DIELECTRIC STRENGTH	5 mA MAX. AT 500 VAC 50/60 Hz ONE MINUTE, (BETWEEN FRAME AND (+) TERMINAL)

★AVG. IS THE AVERAGE VALUE DURING STEADY OPERATION, AND MAX. IS MAXIMUM AVERAGE VALUE INCLUDED RODUCTION TOLERANCE. ABOUT THE PEAK VALUE, NEED TO USE OSCILLOSCOPE TO MEASURE.

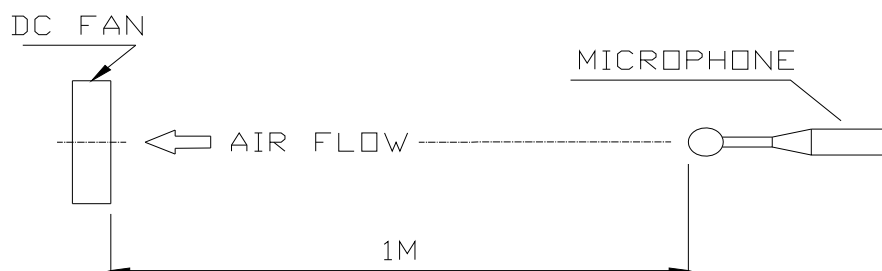
PART NO:

DELTA MODEL: PFB0612EE-E

LIFE EXPECTANCE (L10) (AT LABEL VOLTAGE)	70,000HRS CONTINUOUS OPERATION AT 40° WITH 15 ~ 65%RH
ROTATION	CLOCKWISE VIEW FROM LABEL PLATE SIDE
OVER CURRENT SHUT DOWN	THE CURRENT WILL SHUT DOWN, WHEN ROTOR LOCKED AND FIXED.

NOTES:

1. ALL READINGS ARE MEASURED AFTER STABLY WARMING UP THROUGH 10 MINUTES.
2. STANDARD AIR PROPERTY IS AIR AT (Td) 25°C TEMPERATURE, (RH) 65% RELATIVE HUMIDITY , AND (Pb) 760 mmHg BAROMETRIC PRESSURE.
3. THE VALUES WRITTEN IN PARENS , ( ), ARE LIMITED SPEC.
4. THE CHARACTERS SHOWED IN PAGE 1 IS THE CONDITION OF BOTH FANS RUN.
5. ACOUSTICAL NOISE MEASURING CONDITION:



NOISE IS MEASURED AT RATED VOLTAGE IN FREE AIR IN ANECHOIC CHAMBER WITH B & K SOUND LEVEL METER WITH MICROPHONE AT A DISTANCE OF ONE METER FROM THE FAN INTAKE.

---

PART NO:

---

DELTA MODEL: PFB0612EE-E

---

3. MECHANICAL:

- 3-1. DIMENSIONS----- SEE DIMENSIONS DRAWING
- 3-2. FRAME----- PLASTIC UL: 94V-0
- 3-3. IMPELLER----- PLASTIC UL: 94V-0
- 3-4. BEARING SYSTEM----- TWO BALL BEARINGS
- 3-5. WEIGHT----- 135 GRAMS(REF.)

4. ENVIRONMENTAL:

- 4-1. OPERATING TEMPERATURE----- -10 TO +70 DEGREE C
- 4-2. STORAGE TEMPERATURE----- -40 TO +75 DEGREE C
- 4-3. OPERATING HUMIDITY----- 5 TO 90 % RH
- 4-4. STORAGE HUMIDITY----- 5 TO 95 % RH

5. PROTECTION:

- 5-1. LOCKED ROTOR PROTECTION  
IMPEDANCE OF MOTOR WINDING PROTECTS MOTOR FROM FIRE IN  
96 HOURS OF LOCKED ROTOR CONDITION AT THE RATED VOLTAGE.
- 5-2. POLARITY PROTECTION  
BE CAPABLE OF WITHSTANDING IF REVERSE CONNECTION FOR  
POSITIVE AND NEGATIVE LEADS.

6. RE OZONE DEPLETING SUBSTANCES:

- 6-1. NO CONTAINING PBBs, PBBOs, CFCs, PBBEs, PBDPEs AND HCFCs.

7. PRODUCTION LOCATION

- 7-1. PRODUCTS WILL BE PRODUCED IN CHINA

8. BRAKE FUNCTION

- 8-1. THERE WILL BE A BRAKE FUNCTION WHEN THE FAN DURING THE FAILURE  
MODE IN SYSTEM, AND THE FAN BLADE IS DRIVEN.  
(IT IS RECOMMENDED TO REPLACE THE FAN AFTER THE BRAKE  
FUNCTION START UP.)

---

PART NO:

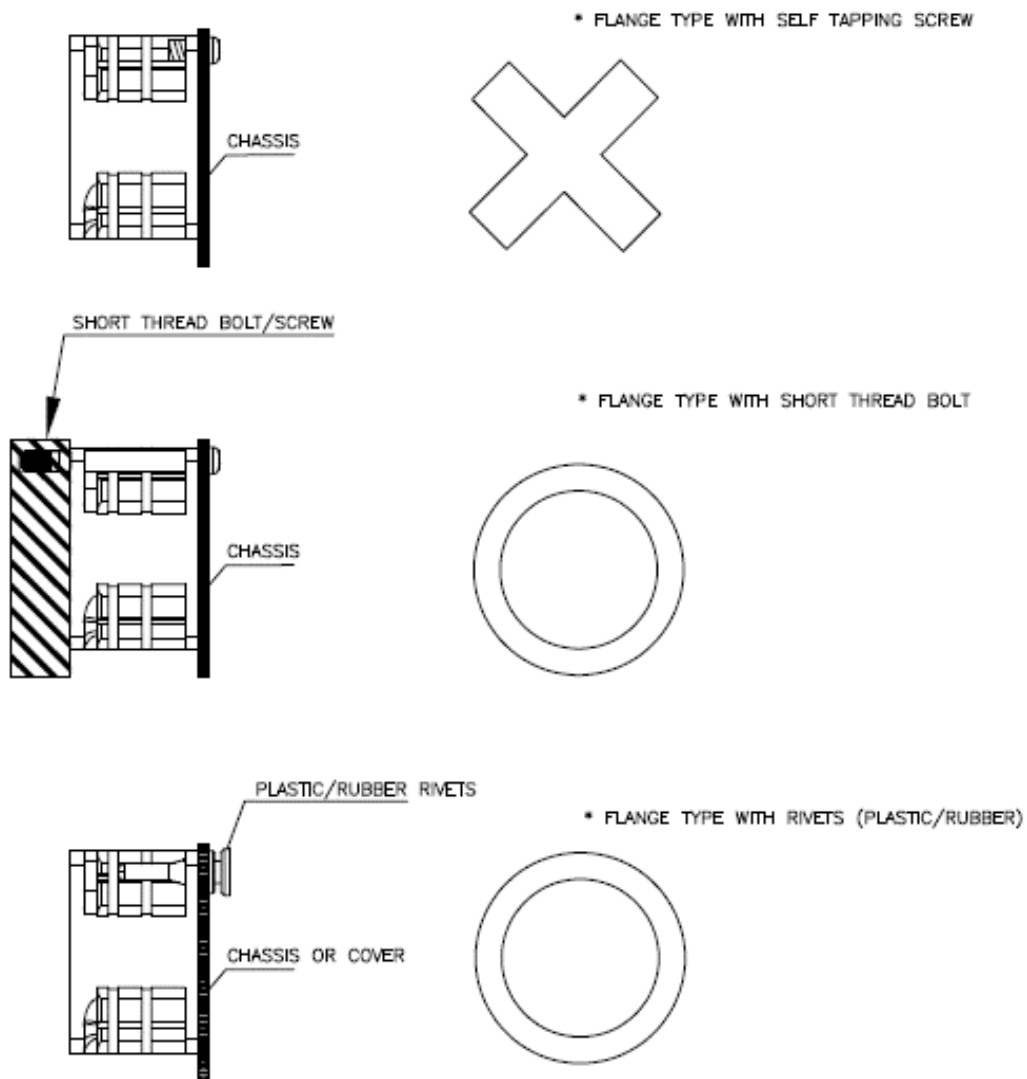
---

DELTA MODEL: PFB0612EE-E

---

## 9. INSTALLATION INSTRUCTION

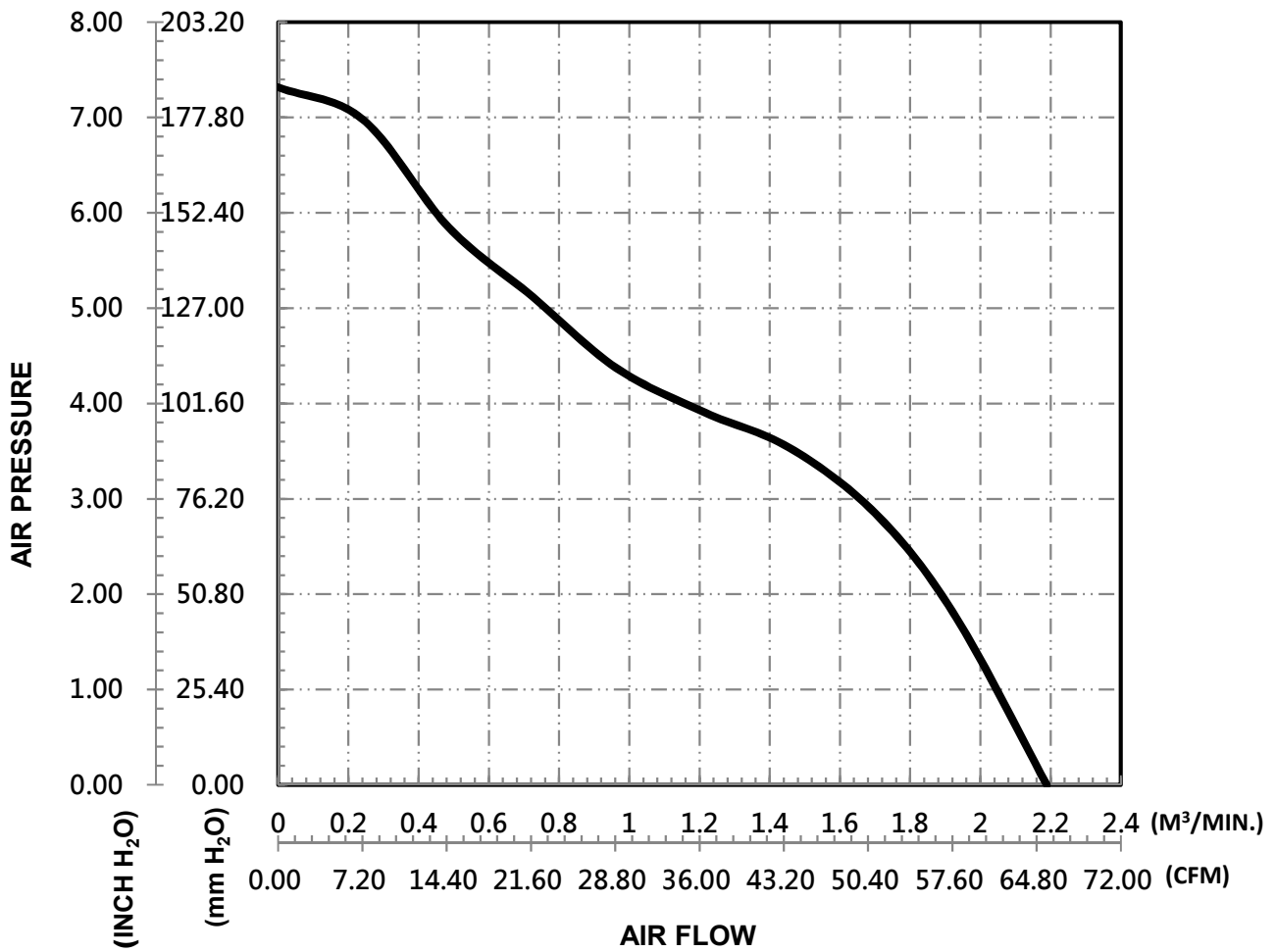
1. SELF-TAPPING SCREW IS PROHIBITED BECAUSE OF FLANGE FRAME DESIGN.
2. SHORT THREAD BOLT/SCREW OR RUBBER/PLASTIC-MADE RIVET OR COVER IS RECOMMENDED FOR FLANGE FRAME INSTALLATION



PART NO:

DELTA MODEL: PFB0612EE-E

10. P & Q CURVE:

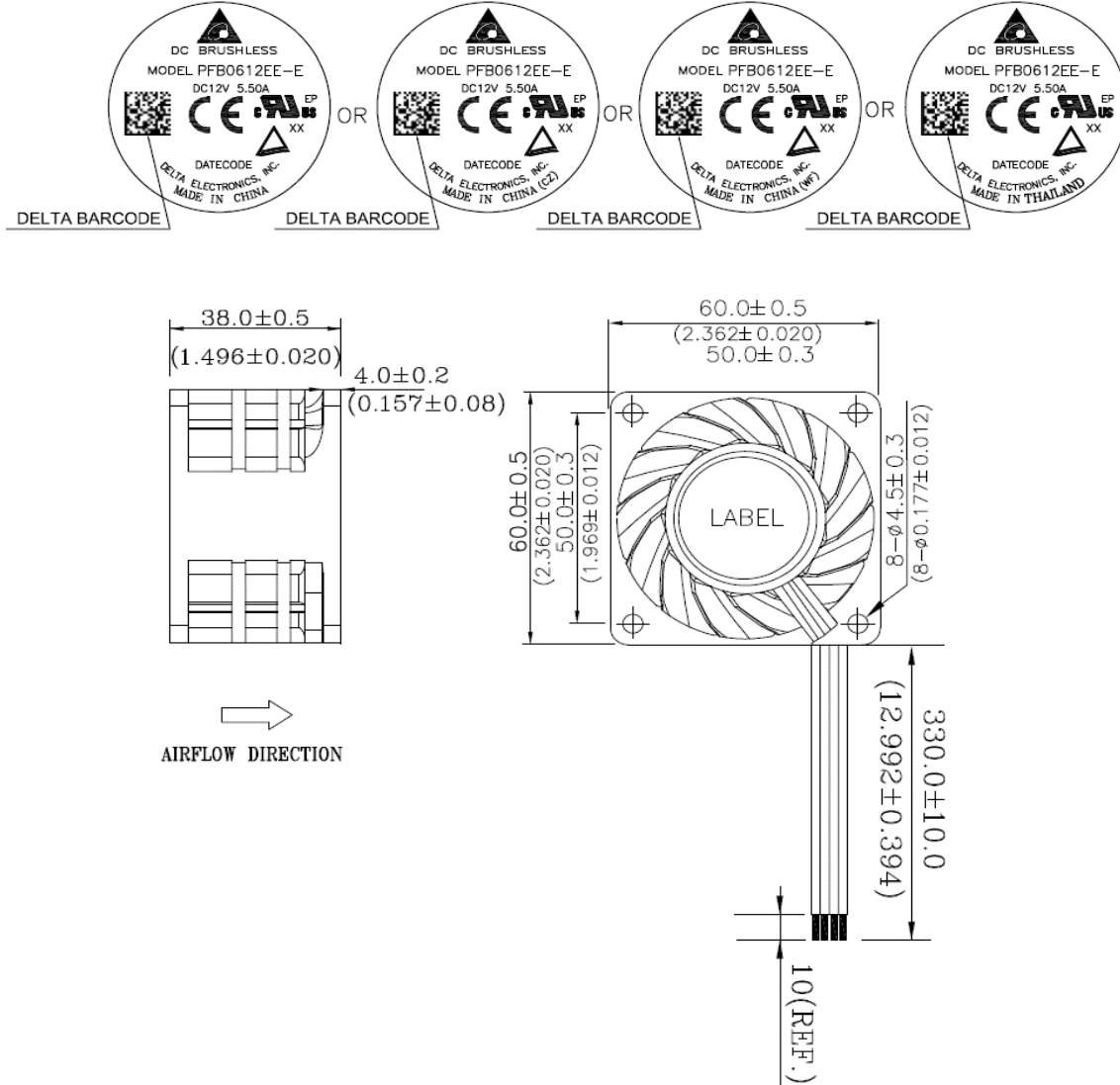


\*TEST CONDITION: INPUT VOLTAGE-----OPERATION VOLTAGE  
TEMPERATURE-----ROOM TEMPERATURE  
HUMIDITY-----65%RH

PART NO:

DELTA MODEL: PFB0612EE-E

11. DIMENSION DRAWING:  
LABEL:



Unit : mm  
(inch)

NOTES:

1. LEAD WIRE: UL 1430 AWG #24 & AWG#26  
BLACK WIRE --- UL 1430 AWG#24 --(-)  
RED WIRE --- UL 1430 AWG#24 --(+)  
BLUE WIRE --- UL 1430 AWG#26 --(PWM)  
YELLOW WIRE --- UL 1430 AWG#26 --(F00)
2. THIS PRODUCT IS ROHS COMPLIANT

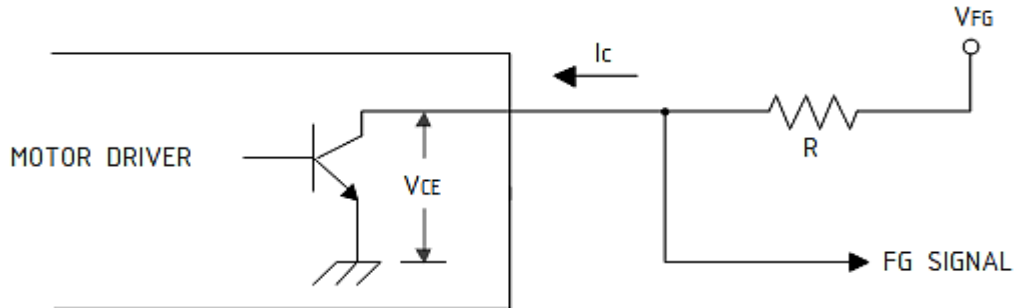


PART NO:

DELTA MODEL: PFB0612EE-E

12. FREQUENCY GENERATOR (FG) SIGNAL:

1. OUTPUT CIRCUIT - OPEN COLLECTOR MODE:



CAUTION:

THE LEAD WIRE OF FG SIGNAL CAN NOT TOUCH THE LEAD WIRE OF POSITIVE OR NEGATIVE.

2. SPECIFICATION:

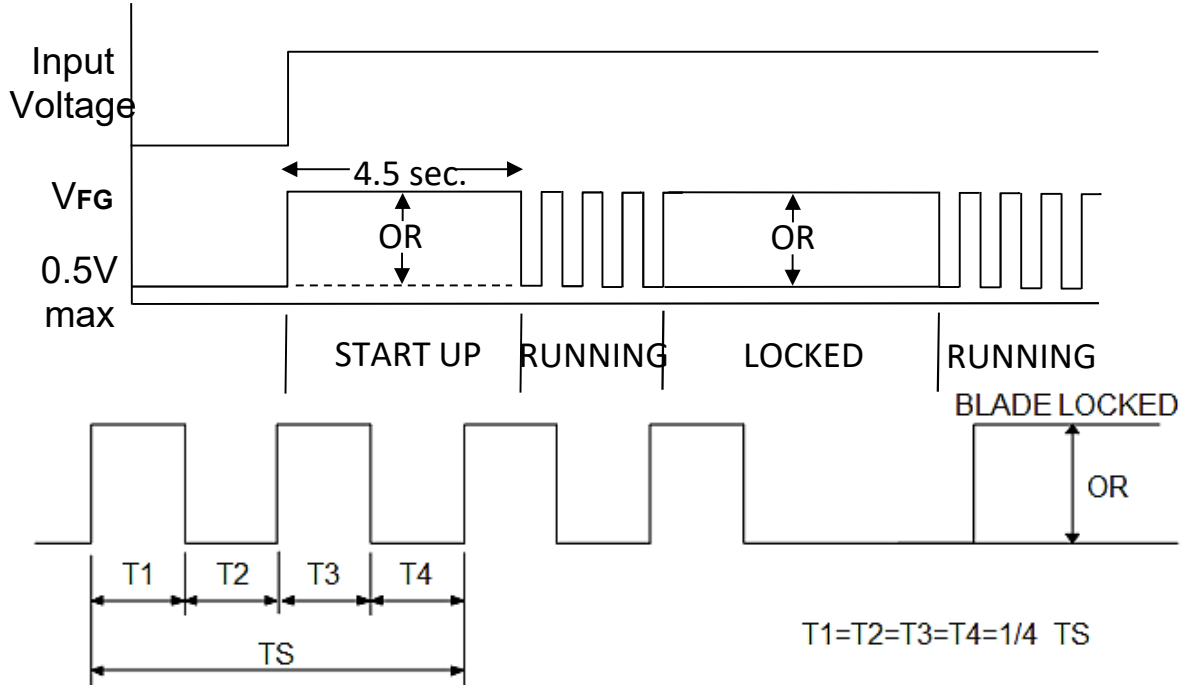
VFG= 13.2 V MAX

Ic = 5 mA MAX.

VCE(sat)= 0.5V MAX.

$R \geq VFG / I_c$

3. FREQUENCY GENERATOR WAVEFORM:



N=R.P.M

$TS=60/N(\text{SEC})$

\*VOLTAGE LEVEL AFTER BLADE LOCKED

\*4 POLES

---

PART NO:

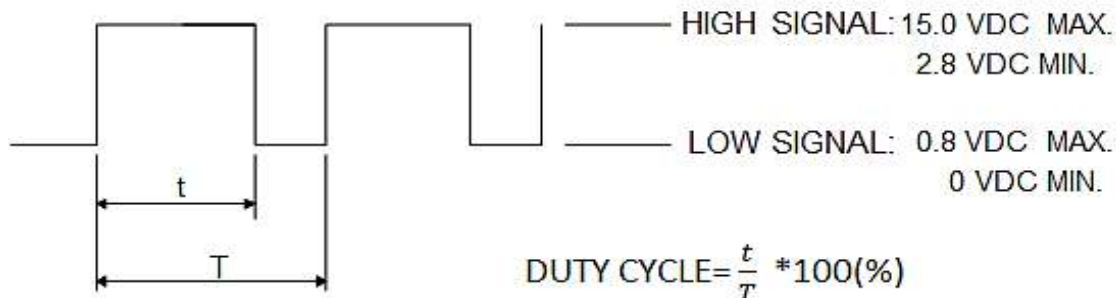
---

DELTA MODEL: PFB0612EE-E

---

13. PWM CONTROL SIGNAL:

SIGNAL VOLTAGE RANGE: 0 ~ 15.0 VDC



\*THE PREFERRED OPERATING POINT FOR THE FAN IS 25K Hz.

\*AT 100% DUTY CYCLE, THE ROTOR WILL SPIN AT MAXIMUM SPEED.

\*AT 0 % DUTY CYCLE, THE ROTOR WILL SPIN AT MINIMUM SPEED.

\*WITH CONTROL SIGNAL LEAD DISCONNECTED, THE FAN WILL SPIN AT MAXIMUM SPEED.

\*AT RATED VOLTAGE, 25K Hz, 20% PWM DUTY CYCLE, THE FAN WILL BE ABLE TO START FROM A DEAD STOP.

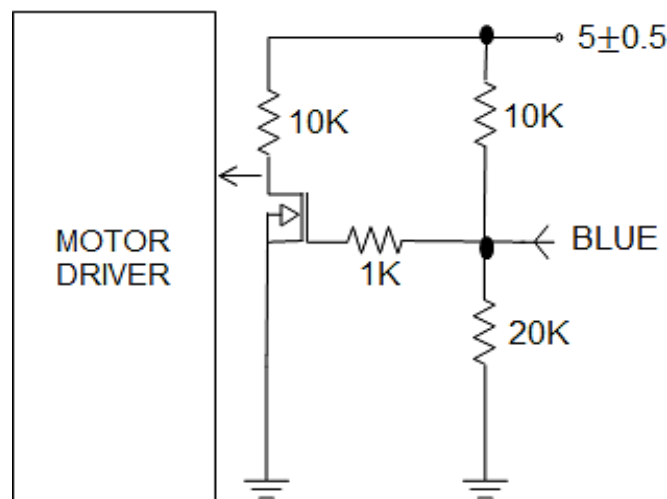
\* THE FAN SPEED CONTROL IS CLOSED-LOOP .

14. SPEED VS PWM CONTROL SIGNAL:

(AT RATED VOLTAGE & PWM FREQUENCY = 25K Hz, 25°C)

DUTY CYCLE (%)	SPEED (R.P.M)	CURRENT (A) TYP.(AVG)★
100	25500 ±10%	3.50
50	14450 ±10%	0.76
0	3000 ±350	0.05

15. PWM CONTROL LEAD WIRE INPUT IMPEDANCE:





## ***Application Notice***

- 1. Delta will not guarantee the performance of the products if the application condition falls outside the parameters set forth in the specification.**
- 2. A written request should be submitted to Delta prior to approval if deviation from this specification is required.**
- 3. Please exercise caution when handling fans. Damage may be caused when pressure is applied to the impeller, if the fans are handled by the lead wires, or if the fan was hard-dropped to the production floor.**
- 4. Except as pertains to some special designs, there is no guarantee that the products will be free from any such safety problems or failures as caused by the introduction of powder, droplets of water or encroachment of insect into the hub.**
- 5. The above-mentioned conditions are representative of some unique examples and viewed as the first point of reference prior to all other information.**
- 6. It is very important to establish the correct polarity before connecting the fan to the power source. Positive (+) and Negative (-). Damage may be caused to the fans if connection is with reverse polarity, if there is no foolproof method to protect against such error specifically mentioned in this spec.**
- 7. Delta fans without special protection are not suitable where any corrosive fluids are introduced to their environment.**
- 8. Please ensure all fans are stored according to the storage temperature limits specified. Do not store fans in a high humidity environment. We highly recommend performance testing is conducted before shipping, if the fans have been stored over 6 months.**
- 9. Not all fans are provided with the Lock Rotor Protection feature. If you impair the rotation of the impeller for the fans that do not have this function, the performance of those fans will lead to failure.**
- 10. Please be cautious when mounting the fan. Incorrect mounting of fans may cause excess resonance, vibration and subsequent noise.**
- 11. It is important to consider safety when testing the fans. A suitable fan guard should be fitted to the fan to guard against any potential for personal injury.**
- 12. Except where specifically stated, all tests are carried out at room (ambient) temperature and relative humidity conditions of 25°C, 65% RH. The test value is only for fan performance itself.**
- 13. Be certain to connect an “ 4.7μF or greater” capacitor to the fan externally when the application calls for using multiple fans in parallel, to avoid any unstable power.**