

PART No. MATRIX

E 1 6 A 0 6 0 1 6 M X X X X

E=ETHERNET/
Ethernet

HEADS:
1 = M12 D-Coding
6 = RJ45

HEADS STYLE:
060 = MALE STR / MALE STR

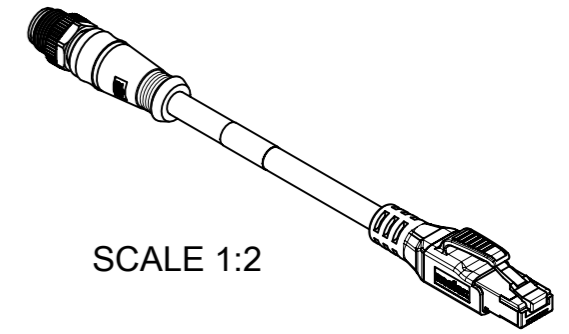
CABLE TYPE :
CABLE 16

UNITS:
M= METER
T=10x METER

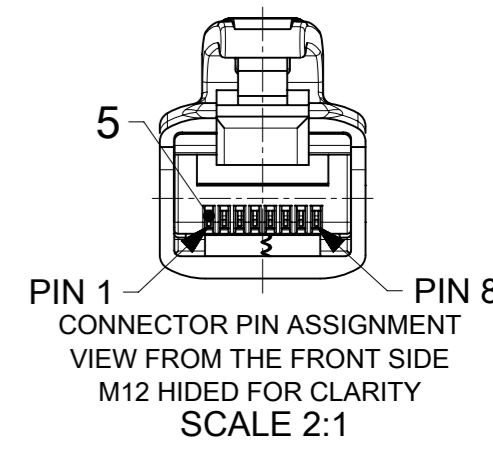
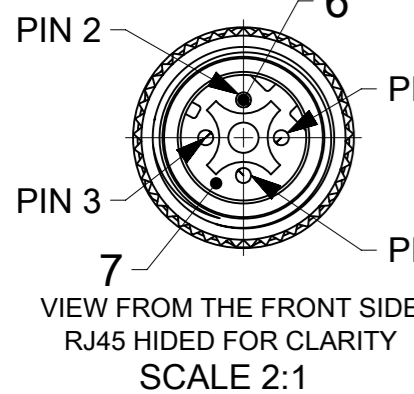
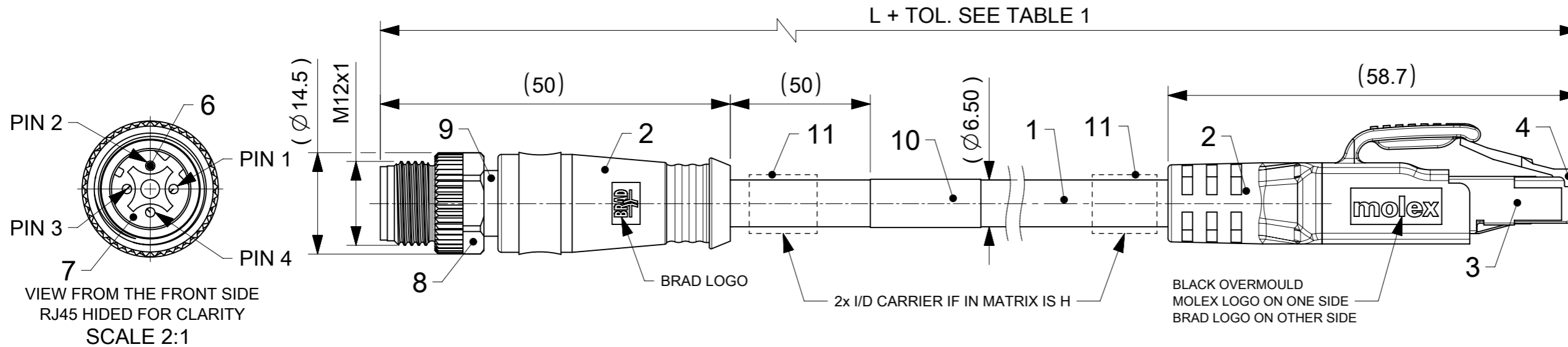
LENGTH EXAMPLES:
005=0.5 m
010=1 m
150=15 m
T100=100 m

H= 2 PCS. OF I/D Carrier

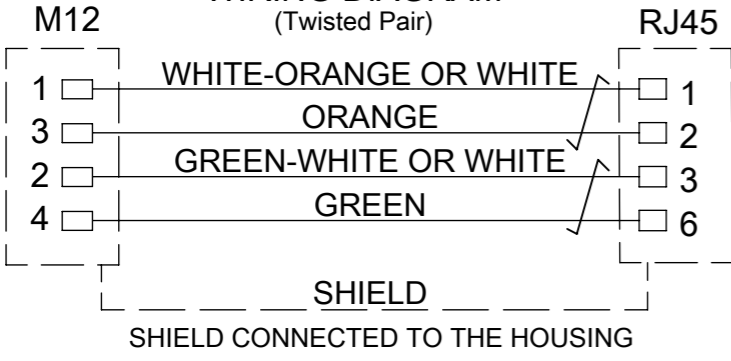
WIRING TYPE:
A=4 Pole (STRAIGHT WIRED)



SCALE 1:2



WIRING DIAGRAM (Twisted Pair)



TECHNICAL DATA :

- M12 D-CODED TO RJ45 CAT5e CORDSET AWG24 STRAIGHT TEAL INLINE 360° SHIELDED.
- POLES : 4
Max. VOLTAGE : 30V A.C. or 42V D.C.
Max. CURRENT : 1.5A
CONTACT RESISTANCE : ≤10 mΩ
INSULATION WITHSTAND : >100MΩ
PROTECTION CLASS M12 / RJ45 : IP67 / IP20
TEMPERATURE RANGE : -25°C to 80°C
- TRANSMISSION CHARACTERISTICS : (CATEGORY) : CAT5e, EtherNET
- PACKAGING : THE CORDSETS ARE PACKED IN POLYBAG
- TRANSMISSION CHARACTERISTICS ACCORDING TO ISO/IEC 11801 CATEGORY 5e PATCH CORD PROFINET TYPE C

BOM

* NOTE : ID CARRIER APPLICABLE, IF ENGINEERING No. HAS "H" (SEE TABLE1)

| ITEM | QTY | DESCRIPTION | MATERIAL | FINISH/COLOR |
|------|-----|------------------------|-----------------|------------------|
| 11 | 2 | ID CARRIER | PVC | TRANSPARENT |
| 10 | 1 | LABEL 2.0X1.75 | VINYL | YELLOW |
| 9 | 1 | M12 M STR SHLD | BRASS | Ni-PLATED |
| 8 | 1 | NUT M12 MALE | BRASS | Ni-PLATED |
| 7 | 1 | INSERT 4P M12 MALE | PUR | BLACK |
| 6 | 4 | CONTACT 10 MALE | Cu/Ni2 | GOLD OVER NICKEL |
| 5 | 4 | CONTACT RJ45 | PHOSPHOR BRONZE | SELECTIVE GOLD |
| 4 | 1 | PLUG RJ45 TRANSPARENT | PC | - |
| 3 | 1 | SHIELD | BRASS | TIN |
| 2 | - | MOULDING MATERIAL | TPU | BLACK |
| 1 | - | CABLE 2x2x24AWG SHIELD | TPU | TEAL |

TABLE 1

| MOLEX PN | ENGINEERING NO | L (m) | MOLEX PN | ENGINEERING NO | L (m) |
|------------|----------------|-------|------------|----------------|-------|
| 1201088776 | E16A06016M003 | 0.3 | 1201088462 | E16A06016M250 | 25 |
| 1201088777 | E16A06016M006 | 0.6 | 1201088460 | E16A06016M150 | 15 |
| 1201088450 | E16A06016M010 | 1 | 1201088463 | E16A06016M300 | 30 |
| 1201088451 | E16A06016M020 | 2 | 1201088461 | E16A06016M200 | 20 |
| 1201088452 | E16A06016M030 | 3 | 1201088464 | E16A06016M350 | 35 |
| 1201088453 | E16A06016M040 | 4 | 1201088465 | E16A06016M400 | 40 |
| 1201088454 | E16A06016M050 | 5 | 1201088466 | E16A06016M450 | 45 |
| 1201088455 | E16A06016M060 | 6 | 1201088467 | E16A06016M500 | 50 |
| 1201088533 | E16A06016M070 | 7 | 1201088468 | E16A06016M550 | 55 |
| 1201088456 | E16A06016M080 | 8 | 1201088469 | E16A06016M600 | 60 |
| 1201088457 | E16A06016M090 | 9 | 1201088470 | E16A06016M650 | 65 |
| 1201088458 | E16A06016M100 | 10 | 1201088471 | E16A06016M700 | 70 |
| 1201088459 | E16A06016M120 | 12 | 1201088472 | E16A06016M750 | 75 |
| 1201088534 | E16A06016M140 | 14 | 1201088473 | E16A06016M800 | 80 |
| | | | 1201088526 | E16A06016M850 | 85 |
| | | | 1201088527 | E16A06016M900 | 90 |

TABLE 2

| LENGTH | TOLERANCE |
|----------|------------|
| 0m-1m | +40 mm |
| >1m-5m | +60 mm |
| >5m-10m | +80 mm |
| >10m-20m | +140 mm |
| >20m-30m | +160 mm |
| >30m | +1% length |

| | | | | |
|--|---|--|---|------------------------|
| FUNCTIONAL SYMBOLS ▽A = 0 ▽E = 0 ▽F = 0 | THIS DRAWING CONTAINS INFORMATION THAT IS PROPRIETARY TO MOLEX ELECTRONIC TECHNOLOGIES, LLC AND SHOULD NOT BE USED WITHOUT WRITTEN PERMISSION | SCALE 3:2 | CURRENT REV DESC: | |
| | GENERAL TOLERANCES (UNLESS SPECIFIED) | ANGULAR TOL ± 1.0° | EC NO: 689781 DRWN: SSM CHK'D: RSILLER APPR: RSILLER | |
| DIVISIONAL SYMBOLS | 4 PLACES ± | 3 PLACES ± | 2 PLACES ± 0.05 | 1 PLACE ± 0.3 |
| | 0 PLACES ± 0.5 | DRAFT WHERE APPLICABLE MUST REMAIN WITHIN DIMENSIONS | | THIRD ANGLE PROJECTION |
| DRAWING | | SERIES | MATERIAL NUMBER | CUSTOMER |
| A3-SIZE | | 120108 | SEE TABLE 1 | GENERAL MARKET |
| DOCUMENT NUMBER | | DOC TYPE | DOC PART | REVISION |
| 1201088450 | | PSD | 000 | A1 |
| SHEET NUMBER | | 1 OF 1 | | |