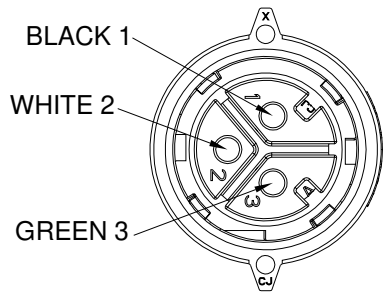
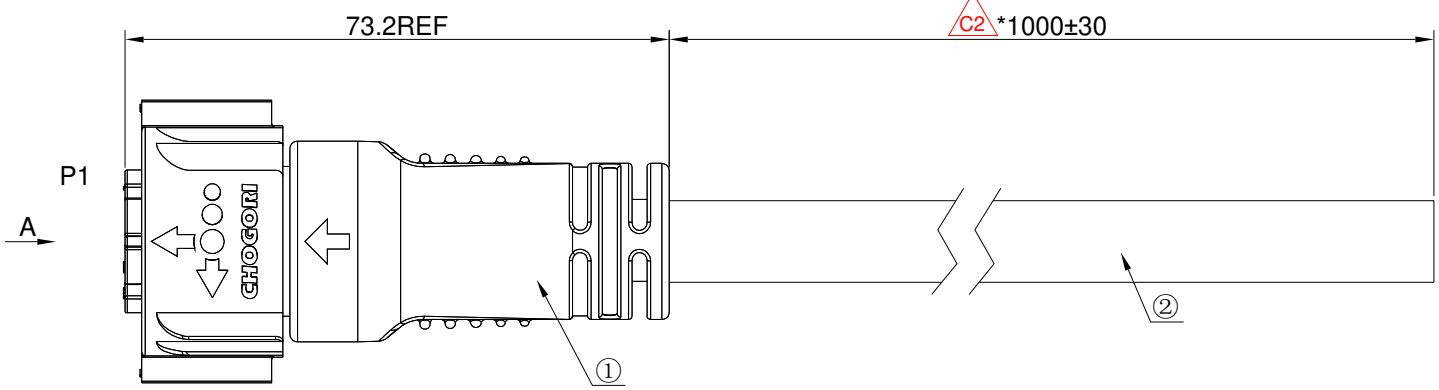


5	6	7	8
REV.	ECN NO.	DATE	SIGN
C1	NA	2022/05/29	XU
C2	NA	2022/07/18	XU

DESCRIPTION
First Version
Change The Length To 1000mm



VIEW A



P/N: 24003233-01-001

SPECIFICATIONS:

- 1.INSULATION RESISTANCE: 10MΩ@500VDC/0.01S.
- 2.VOLTAGE RATING: 300V.
- 3.CURRENT RATING: 35A.
- 4.OPERATION TEMPERATURE: -10°C~+105°C.
- 5.WATERPROOF IPX7(MATED).
- 6.RoHS COMPLIANT.

No.	Material No.	Q'ty	Unit	Material Description
2	900-00301-00037	A/R	M	SJTW 3*12AWG PVC 105°C 300V BLACK OD11.0
1	24003233-01-001	1	PC	LARGE SERIES 3PIN MALE CONNECTOR WITH FEMALE PIN(4 LOCKS,MOLDING,-501)

Material List

ITEM NO.	11C03622051502	DRAWN BY	XU	DATE	2022/06/24
DWG NO.	11C03622051502	CHECKED BY	Kevin	DATE	2022.08.05 14:03:59 +08'00'
CUSTOMER NO.		REV.		APPROVED BY	Eric
				DATE	2022.08.05 15:21:01 +08'00'

CHOGORI[®]
Chogori Technology Co., Ltd

UNIT:mm		TITLE	LARGE SERIES 3PIN MALE CONNECTOR WITH FEMALE PIN(4 LOCKS,MOLDING,-501) L=1000MM		
未注线性和角度尺寸公差 UNSPECIFIED TOLERANCE		SCALE	N/A	SHEET	1 of 1
GB/T 1804-M		REV.	C2	SIZE	A4
					* Inspection Item

THIS INFORMATION IS CONFIDENTIAL AND IS DISCLOSED TO YOU ON CONDITION THAT NO FURTHER DISCLOSURE IS MADE BY YOU TO OTHER THAN CHOGORI PERSONNEL WITHOUT AUTHORIZATION FROM CHOGORI CORP.