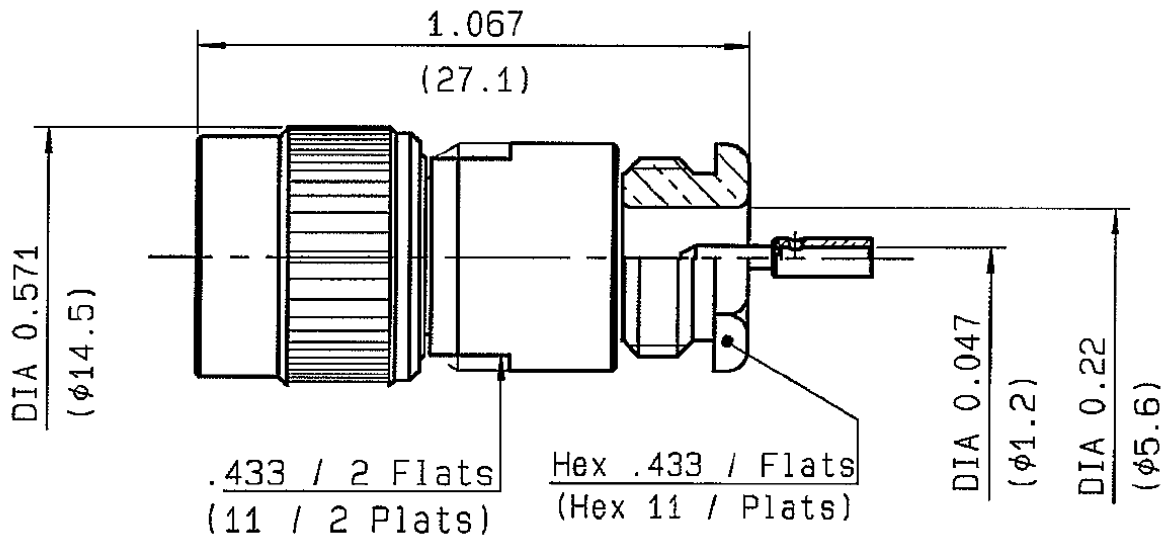


**STRAIGHT PLUG CLAMP TYPE  
CABLE 5/50 S+D**

**R143.008.000**  
SERIES TNC



NOMINAL IMPEDANCE	<b>50</b> $\Omega$
FREQUENCY RANGE	<b>0-11</b> GHz
TEMPERATURE RATING	<b>-65/+165</b> °C
V.S.W.R	<b>*1.30</b> + 0 x F(GHz)Maxi
RF INSERTION LOSS	<b>0.06</b> $\sqrt{F}$ (GHz) dB Maxi
VOLTAGE RATING	<b>500</b> Veff Maxi
DIELECTRIC WITHSTANDING VOLTAGE	<b>1500</b> Veff Mini
INSULATION RESISTANCE	<b>5000</b> M $\Omega$ Mini
HERMETIC SEAL	<b>NA</b> Atm.cm <sup>3</sup> /s
LEAKAGE (pressurized only)	<b>NA</b>
MECHANICAL DURABILITY	<b>500</b> Cycles
WEIGHT	<b>17.60</b> gr
SPECIFICATION	<b>405 1916</b> <b>439 305</b> <b>DMS 795250</b>

CABLES :	<b>KX 15</b>	<b>RG 142 FTX</b>
	<b>KX 23</b>	<b>RG 223</b>
	<b>RG 141</b>	<b>RG 400</b>
	<b>RG 142</b>	<b>RG 58</b>
OTHERS CHARACTERISTICS		
*1.30 for frequency band: DC-6GHz		
1.60 for frequency band: 7-11GHz		
CABLE RETENTION	<b>180</b>	N Mini
CENTER CONTACT RETENTION		
Axial force - mating end	<b>NA</b>	N Mini
Axial force - opposite end	<b>NA</b>	N Mini
Torque	<b>NA</b>	cm.N Mini
RECOMMENDED TORQUES		
Mating	<b>NA</b>	cm.N
Panel nut	<b>NA</b>	cm.N
Clamp nut	<b>450</b>	cm.N

CONNECTOR PARTS	MATERIALS	FINISH	(all values are given in micrometers)
BODY	BRASS	NICKEL 2	
OUTER CONTACT			
CENTER CONTACT	BRASS	GOLD 0.5 OVER NICKEL 2	
INSULATOR	PTFE	-	
GASKET	SILICONE RUBBER	-	
OTHERS PIECES	BRASS	NICKEL 2	

ISSUE  
**1338B00**

CREATION DATE  
**19/11/1990**

FILE PART-NUMBER



**RADIALL**®

LELEU

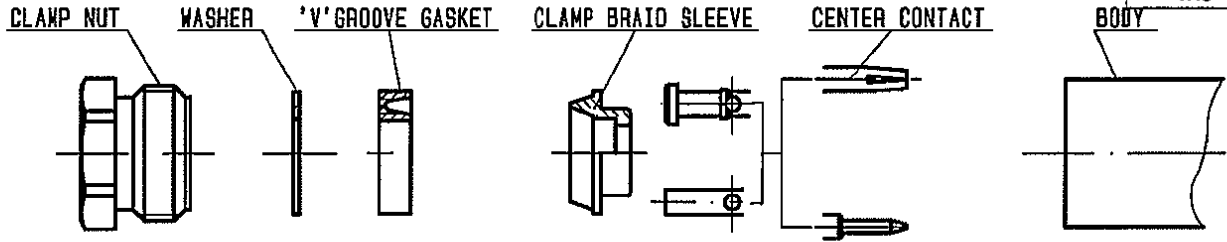
The information given here is subject to change without notice. Design changes may be in order to improve the product.

Connect to the future



**R143.008.000**

ISSUE 1338B00 SERIES TNC



①

Strip the cable .

-  
-  
-  
-

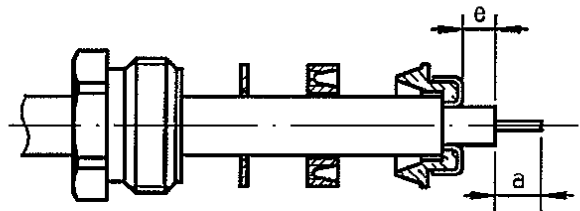


Stripping	a	b	c	d	e
inch	0.098	0.197	0	0	0.059
mm	2.5	5			1.5

②

Slide clamp nut, washer and 'V'groove gasket onto cable .  
Slide clamp braid sleeve over braid .  
Fold braid back and trim off extra braid.  
Trim dielectric back as shown .

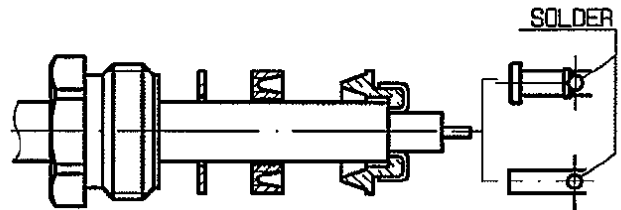
-



③

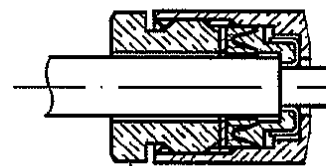
Solder the center contact onto cable center conductor.

-  
-  
-  
-  
-



④

Screw sub-assembly into the connector body .  
( recommended coupling torque 450N.cm )  
- 39.82in.lb  
-



Hex. : 11 mm /flats  
Hex. : 0.433inch /flats

LELEU