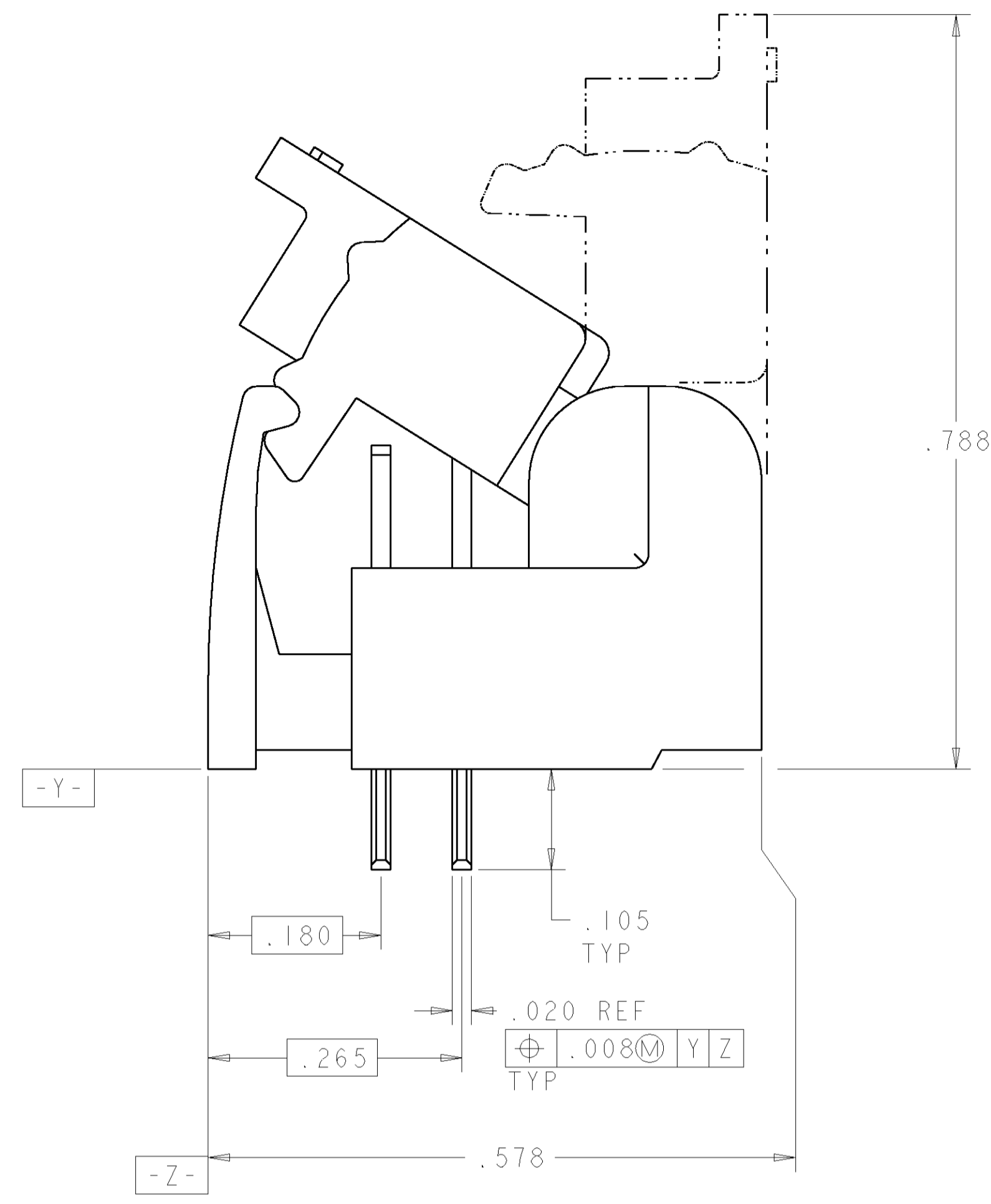
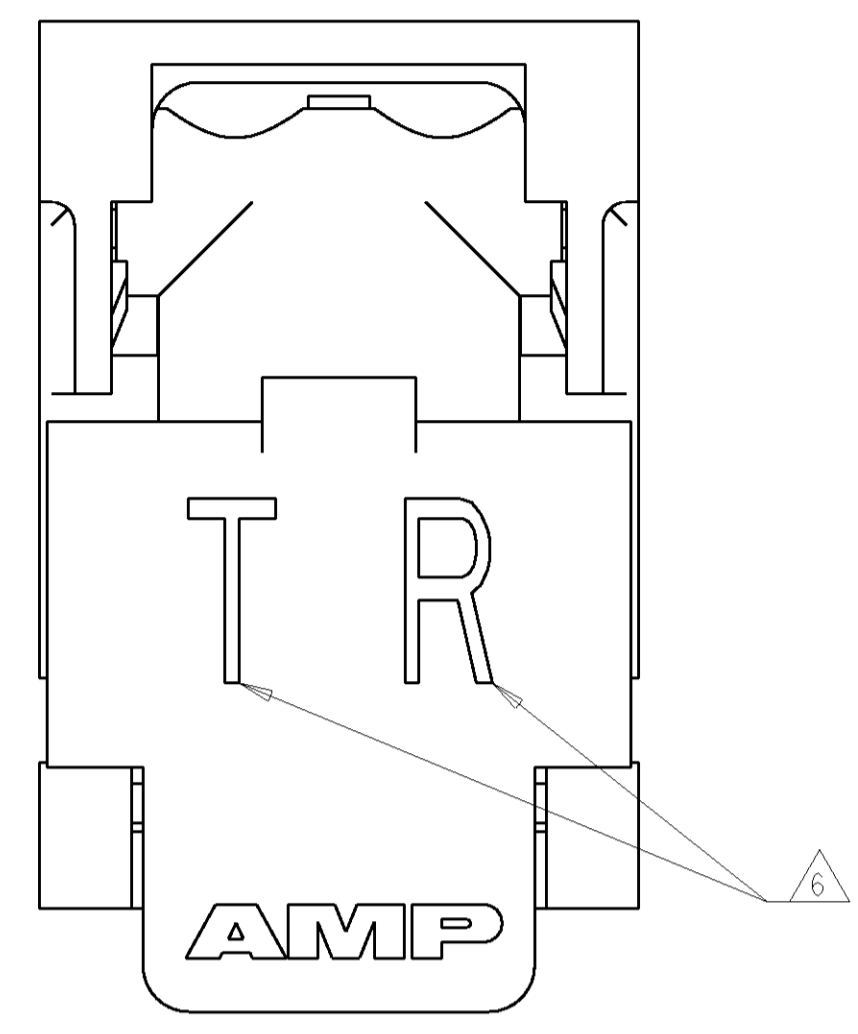
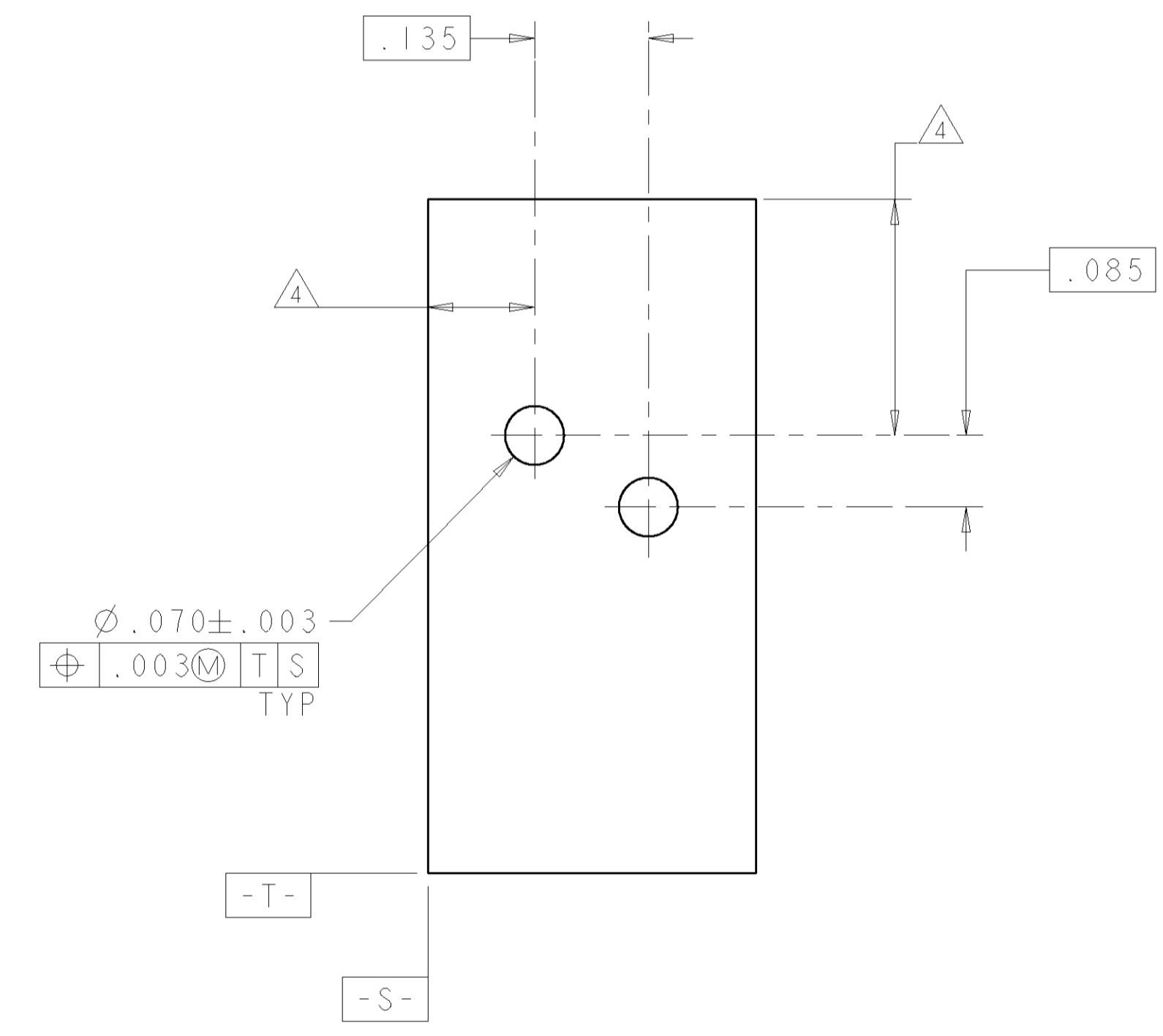
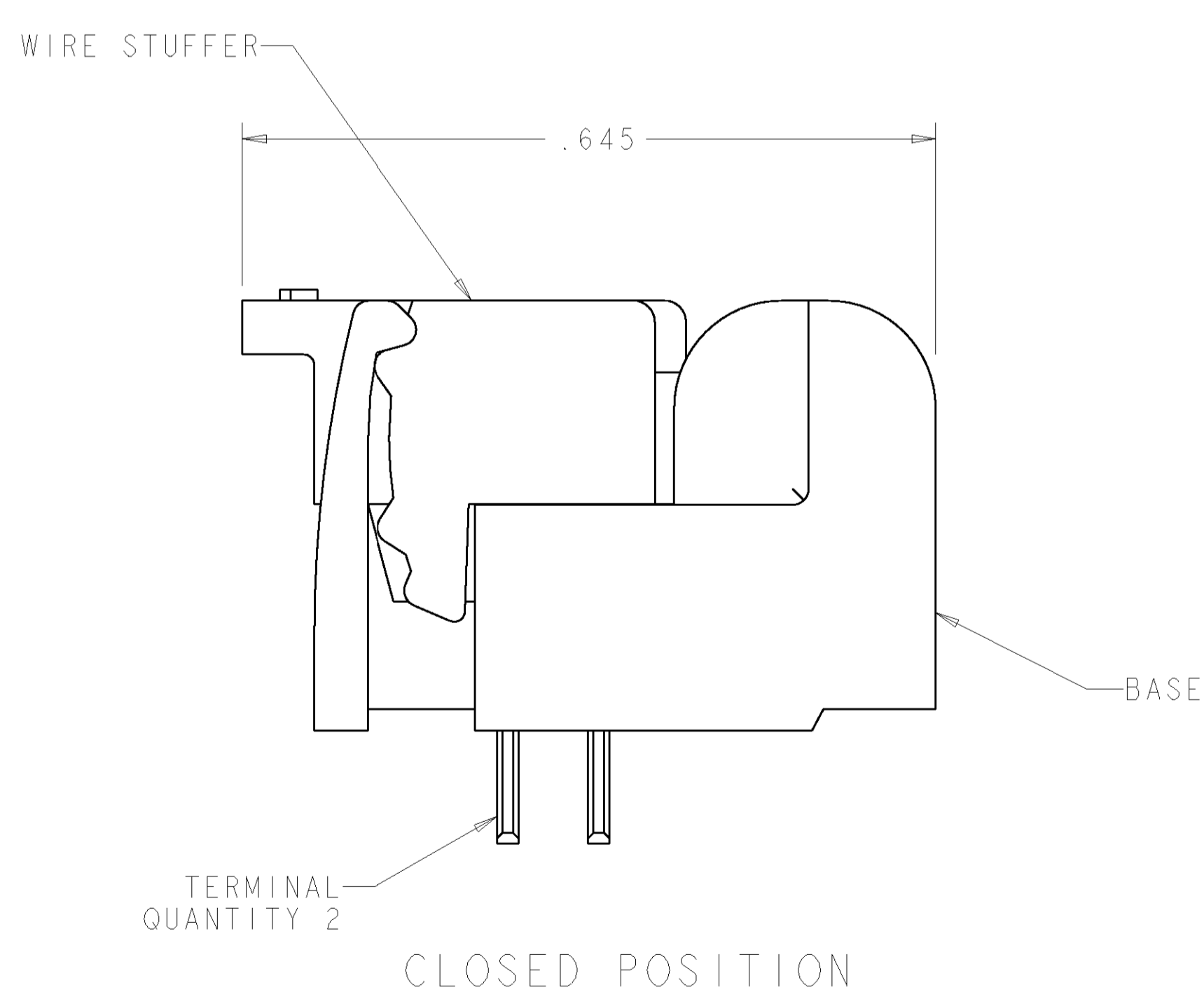
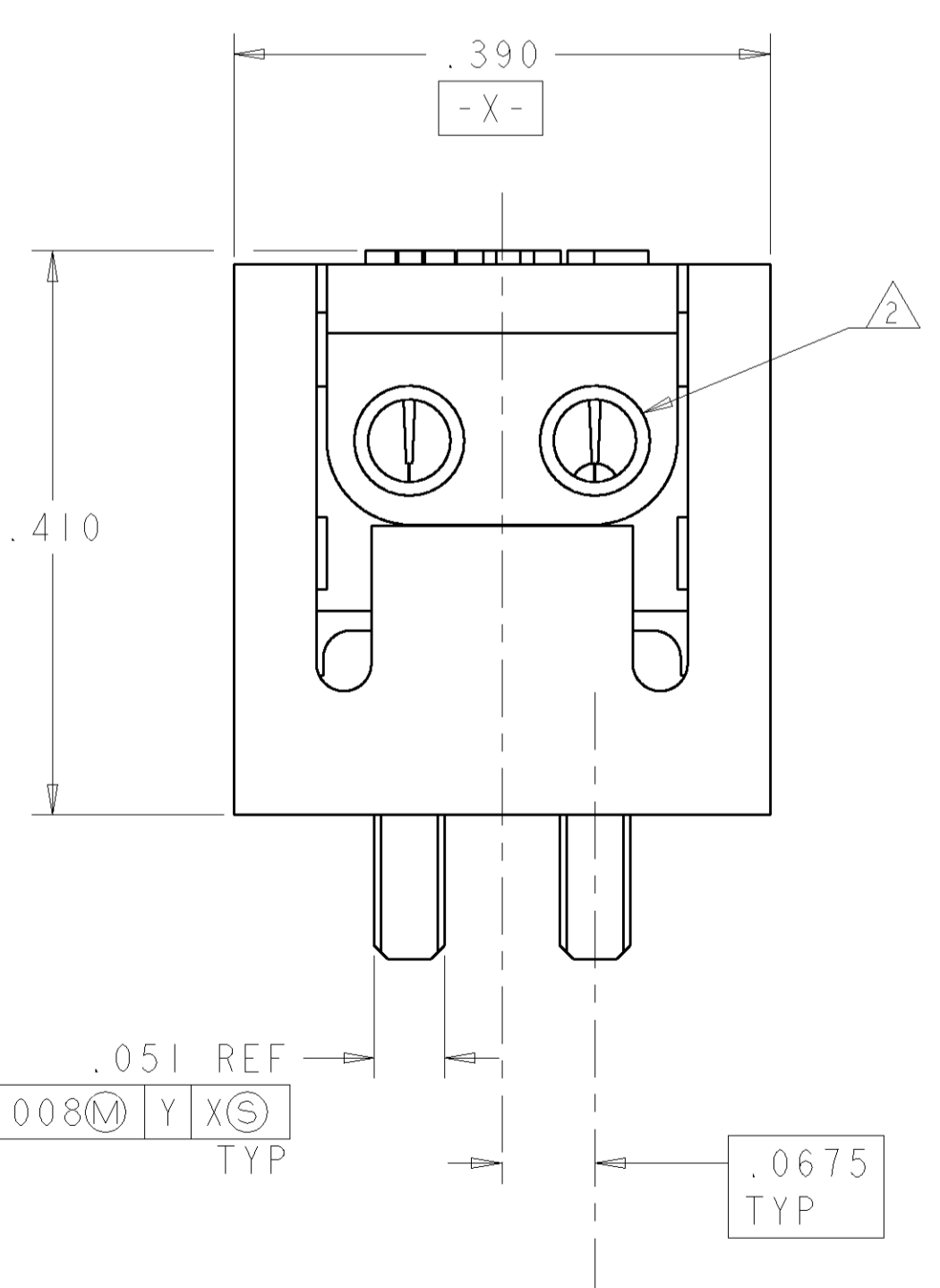


LOC	DIST	REVISIONS			
F	LTN	DESCRIPTION	DATE	DWN	APPD
G		ADDED: -3 PER EC 0S15-0326-02	12SEP2002	DLD	RPM
H		REVISED PER EC 0S15-0450-02	21JAN2003	DLD	RPM
J		REVISED PER EC 0S15-0324-03	01DEC2003	JB	CF
KI		REVISED ECR-20-001863	30MAY20	J.J	W.H



- △ MATERIAL: BASE - HIGH TEMPERATURE MOLDING COMPOUND, BLACK. WIRE STUFFER: - HIGH TEMPERATURE MOLDING COMPOUND. TERMINAL - COPPER ALLOY, PLATED WITH 3.81μm MINIMUM THICK TIN OVER 1.27μm MINIMUM THICK NICKEL UNDERPLATE.
- △ EACH WIRE ENTRY HOLE ACCEPTS ONE UNSTRIPPED SOLID COPPER 22-26 AWG WIRE WITH WIRE INSULATION DIAMETER RANGE FROM .060 THROUGH .040. OTHER WIRE SIZES AND TYPES SHALL BE SUBMITTED TO AMP ENGINEERS FOR APPLICATION APPROVAL.
- 3. SOLDER TABS PROVIDED FOR PERMANENT BOARD MOUNTING.
- △ LOCATION OF HOLE PATTERN DETERMINED BASED ON CUSTOMER REQUIREMENTS.
- △ T AND R DESIGNATIONS NOT ON TAN STUFFER FOR 1339222-3. OR 1339222-4



SUGGESTED PRINTED CIRCUIT BOARD MOUNTING DIMENSIONS VIEWED FROM SOLDER SIDE

OBsolete	RED	GREEN	TAN	CLEAR	PART NUMBER
-	-	-	-	CLEAR	1339222-4
-	-	-	-	TAN	1339222-3
-	RED	GREEN	CLEAR	CLEAR	1339222-2
-	RED	GREEN	TAN	TAN	1339222-1
R	T	WIRE STUFFER			

<small>THIS DRAWING IS UNPUBLISHED. RELEASED FOR PUBLICATION. ALL RIGHTS RESERVED. AMP INCORPORATED. HARRISBURG, PA 17105-3608</small>		DWN: R. ZARBOCK 05OCT99 ENY: M. DERSTINE 05OCT99 APVD: M. DERSTINE 05OCT99	AMP AMP Incorporated Harrisburg, PA 17105-3608
DIMENSIONS: INCHES 0 PLC ± 1 PLC ±.01 2 PLC ±.01 3 PLC ±.005 4 PLC ± ANGLES ±	TOLERANCES UNLESS OTHERWISE SPECIFIED: FINISH: -	NAME: ASSEMBLY, SINGLE PAIR, SINGLE ENTRY, PIVOT II CONNECTOR PRODUCT SPEC: - APPLICATION SPEC: - WEIGHT: - CUSTOMER DRAWING	SIZE: A1 CAGE CODE: 00779 DRAWING NO: 1339222 SCALE: 8:1 SHEET 1 OF 1 REV KI